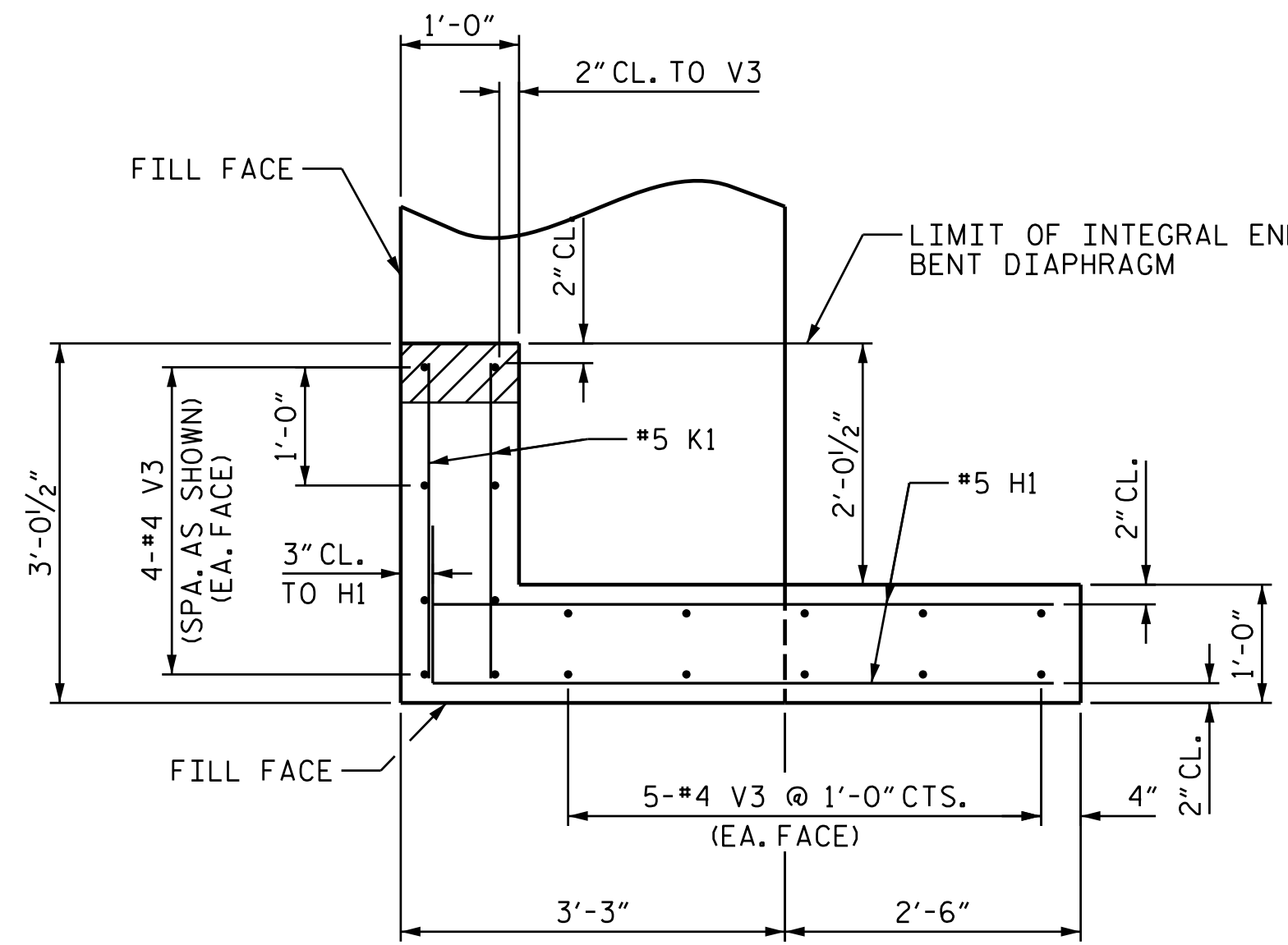


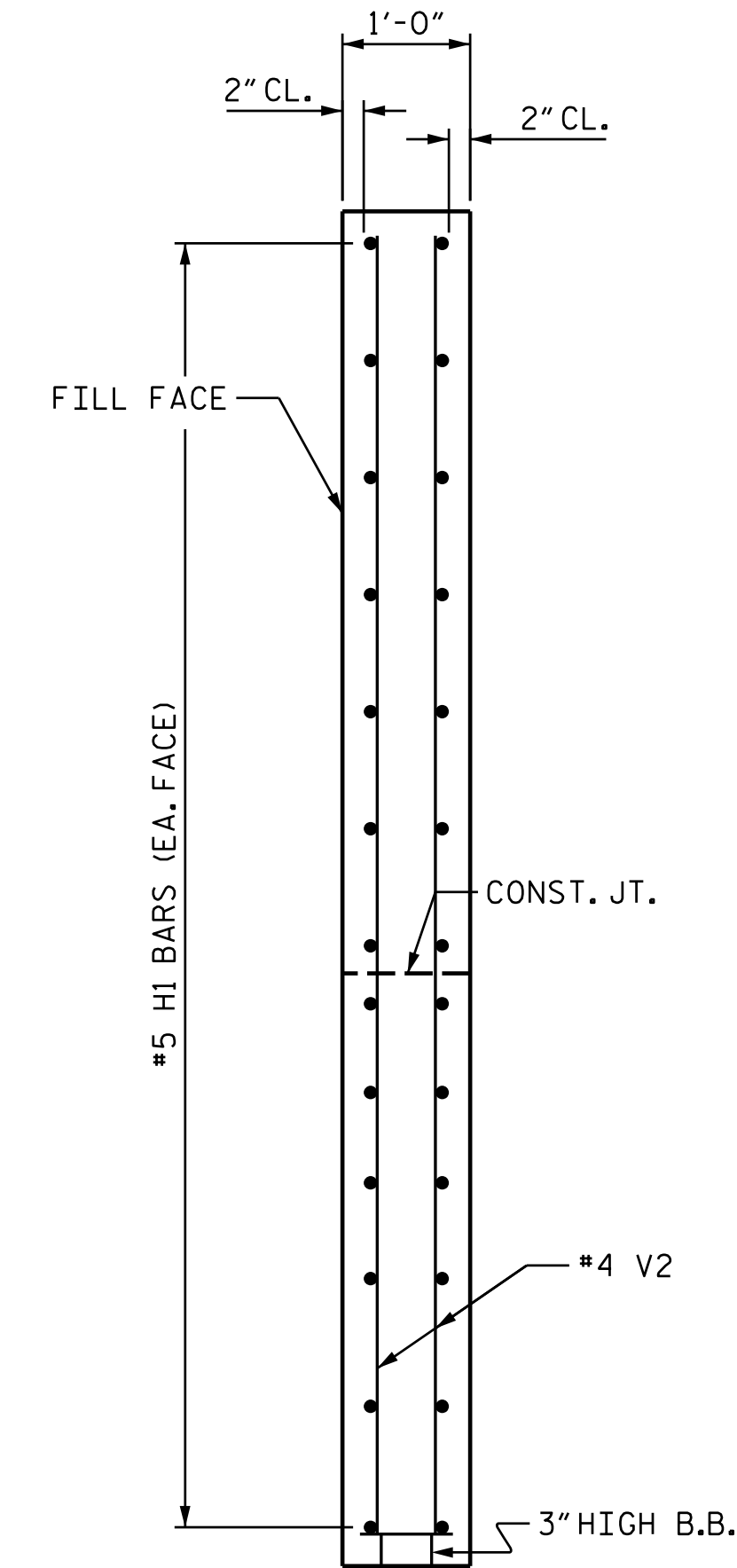
PLAN OF WING W1

SEE NOTES ON SHEET 1 OF 3

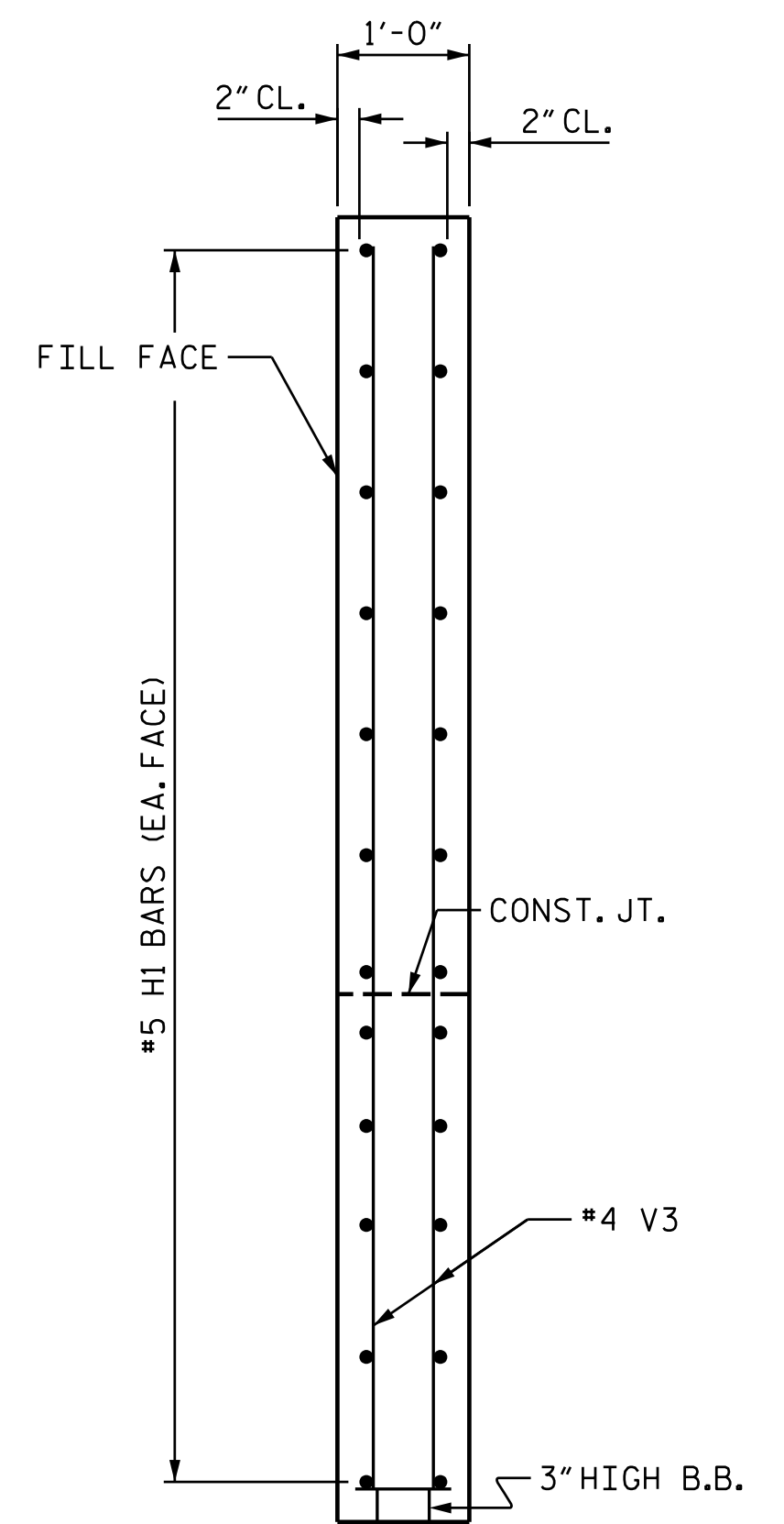


PLAN OF WING W2

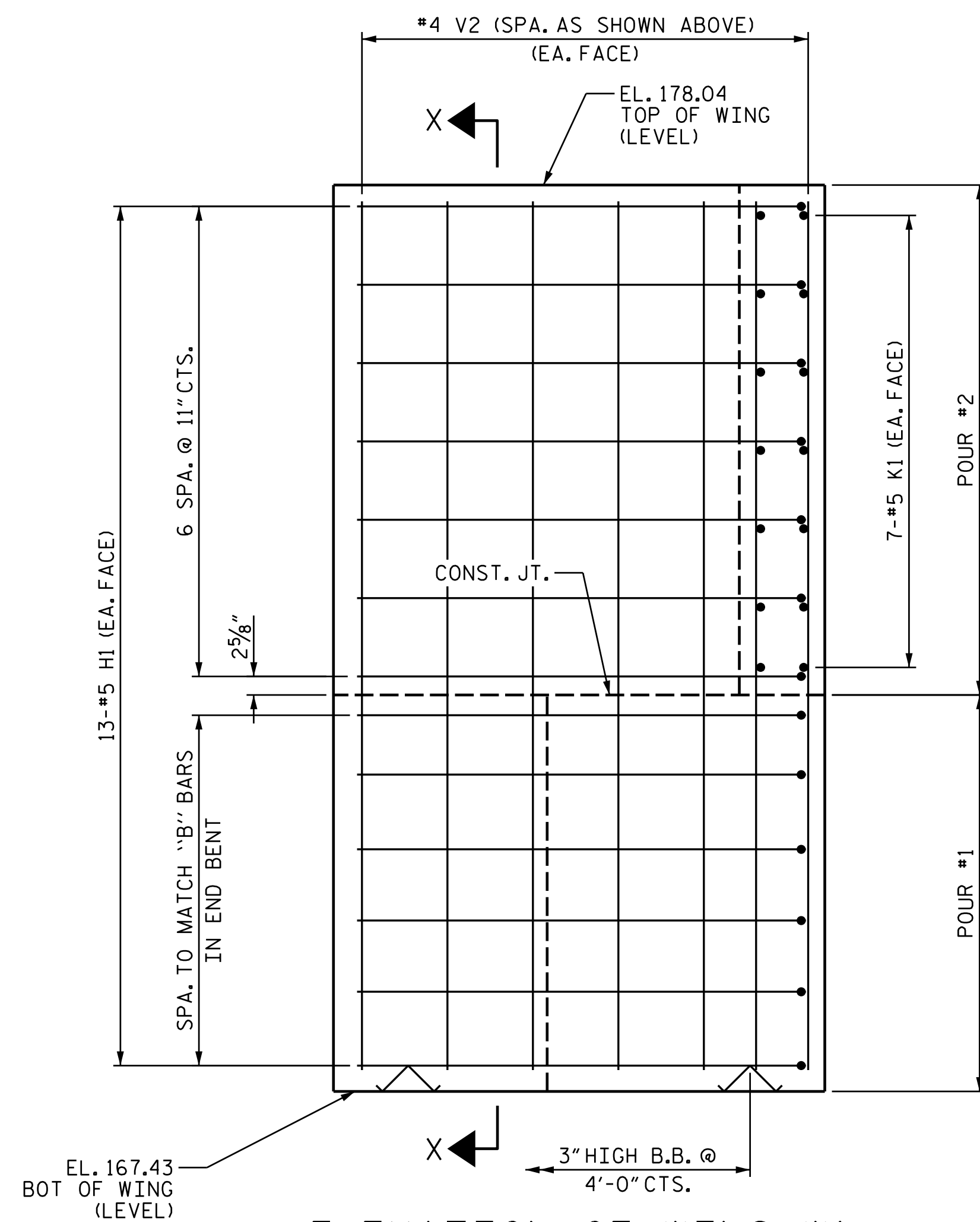
SEE NOTES ON SHEET 1 OF 3



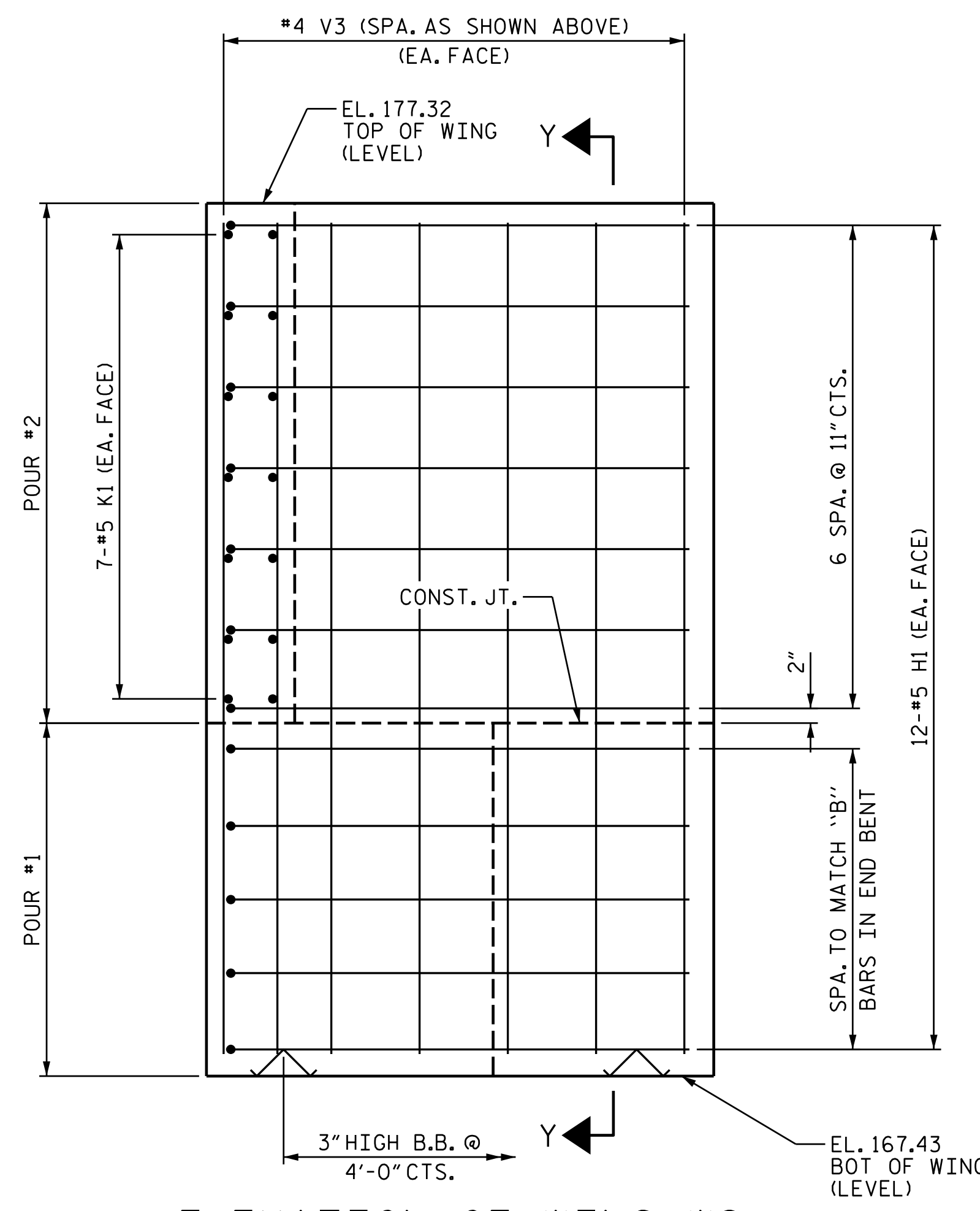
SECTION X-X



SECTION Y-Y



ELEVATION OF WING W1



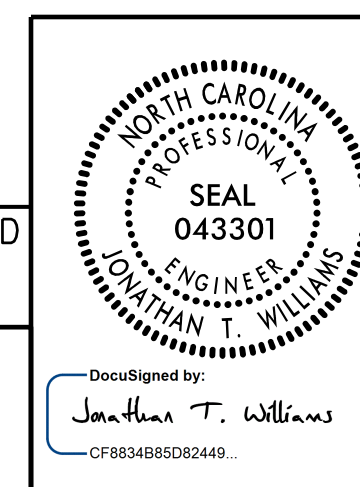
ELEVATION OF WING W2

PROJECT NO. I-5987B
ROBESON COUNTY
 STATION: 24+76.86 -Y4-

SHEET 2 OF 3

STATE OF NORTH CAROLINA
 DEPARTMENT OF TRANSPORTATION
 RALEIGH

SUBSTRUCTURE
 END BENT 1



DOCUMENT NOT CONSIDERED
 FINAL UNLESS ALL
 SIGNATURES COMPLETED

PLANS PREPARED BY:
M MOTT MACDONALD
 PO Box 700
 Fuquay-Varina, NC 27526
 (919) 552-2233
 www.mottmac.com
 LICENSE NO. F-0669

REVISIONS						SHEET NO.
NO.	BY:	DATE:	NO.	BY:	DATE:	S4-20
1			3			TOTAL SHEETS
2			4			29

I:\57077\157077\01\91_NW5_I-5987B\I-5987B_Structures\Plans\I-5987B_SMU_E1_770154.dgn
 3/18/2022 10:52:14 AM

DRAWN BY: R. L. DICKE DATE: 8-2021
 CHECKED BY: J. M. ROBINSON DATE: 8-2021
 DESIGN ENGINEER OF RECORD: J. T. WILLIAMS DATE: 8-2021