



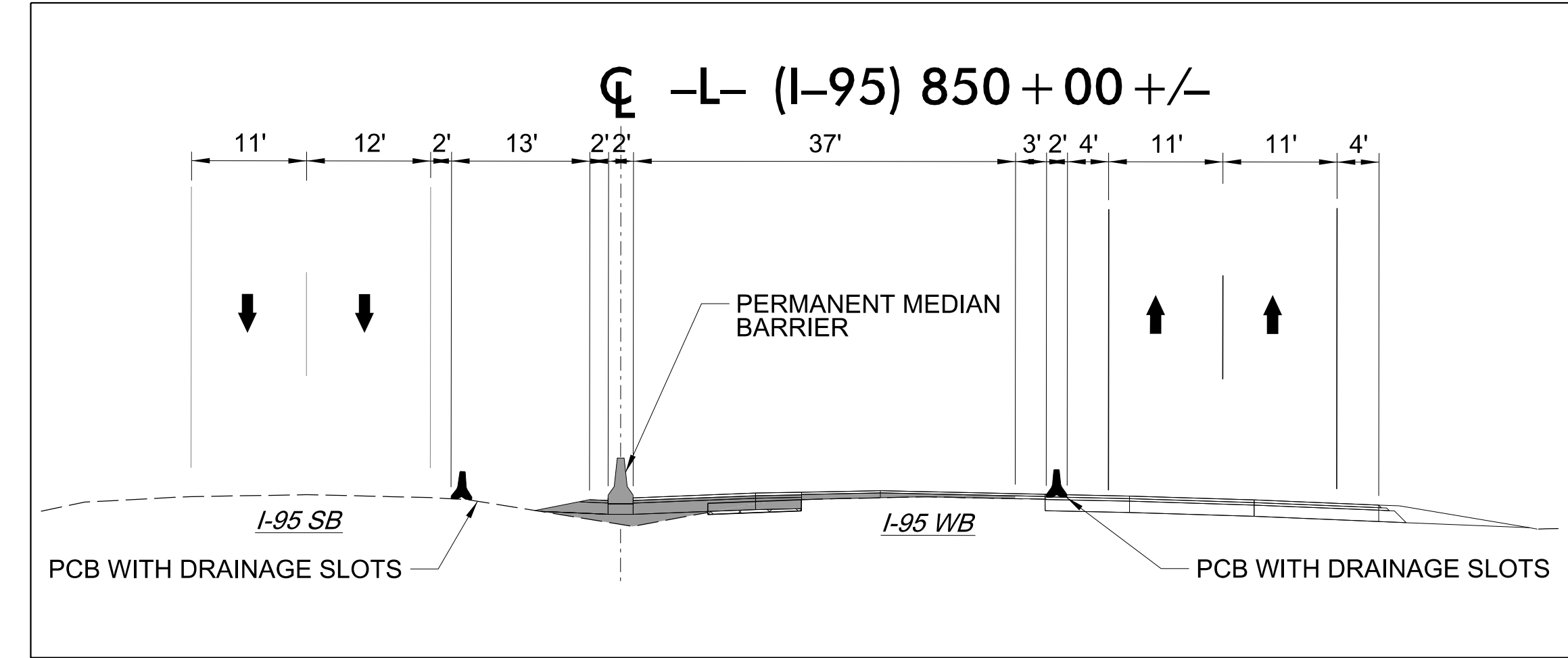
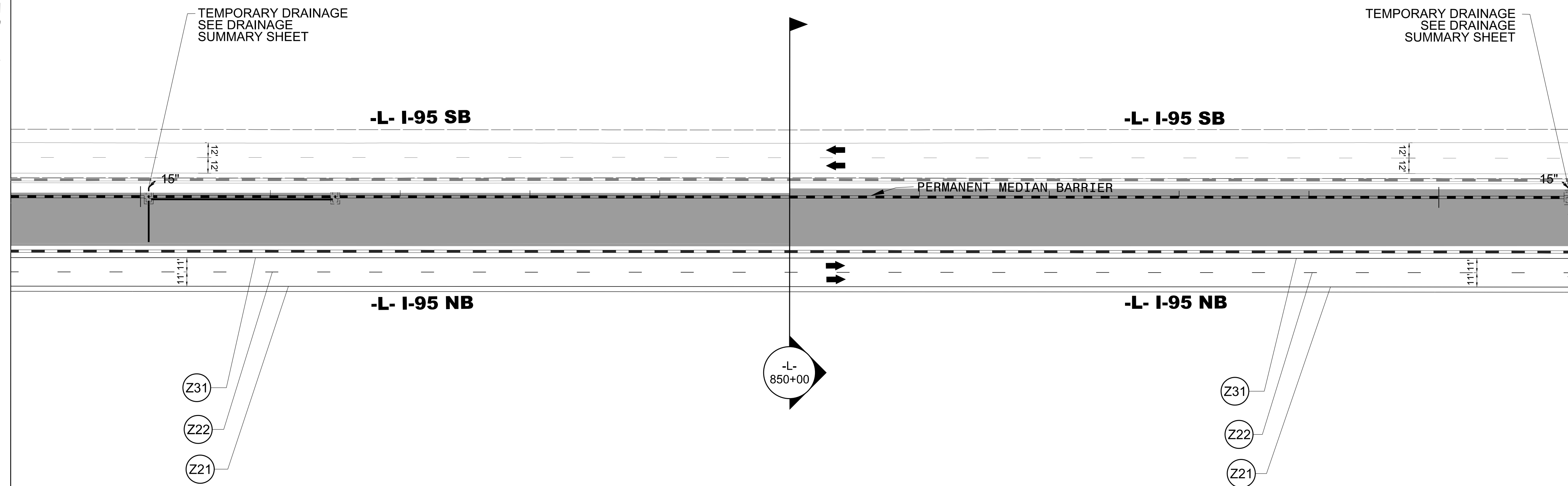
845

850

855

MATCHLINE -L- STA. 7844 + 00 SEE SHEET TMP-253

MATCHLINE -L- STA. 856 + 00 SEE SHEET TMP-255

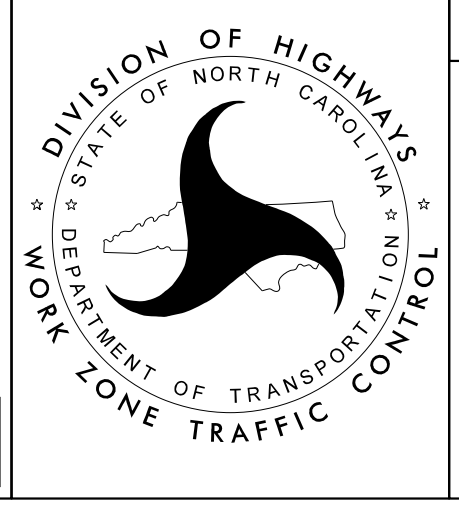


5/9/2022  
U:\Traffic\Transportation Management Plan\TCP\PLAN SHEETS\VOL3\I-5987B\_TMP-254\_PHASE 3.dgn  
angood

Stantec Consulting Services Inc.  
801 Jones Franklin Road  
Suite 300  
Raleigh, NC 27606  
Tel. 919.851.6866  
Fax. 919.851.7024  
www.stantec.com  
License No. F-0672

DocuSigned by  
J.W. Woollard  
5/9/2022

**DOCUMENT NOT CONSIDERED FINAL  
UNLESS ALL SIGNATURES COMPLETED**



SECTION 2

-L- I-95  
PHASE III  
STEPS 1B, 2B, 3