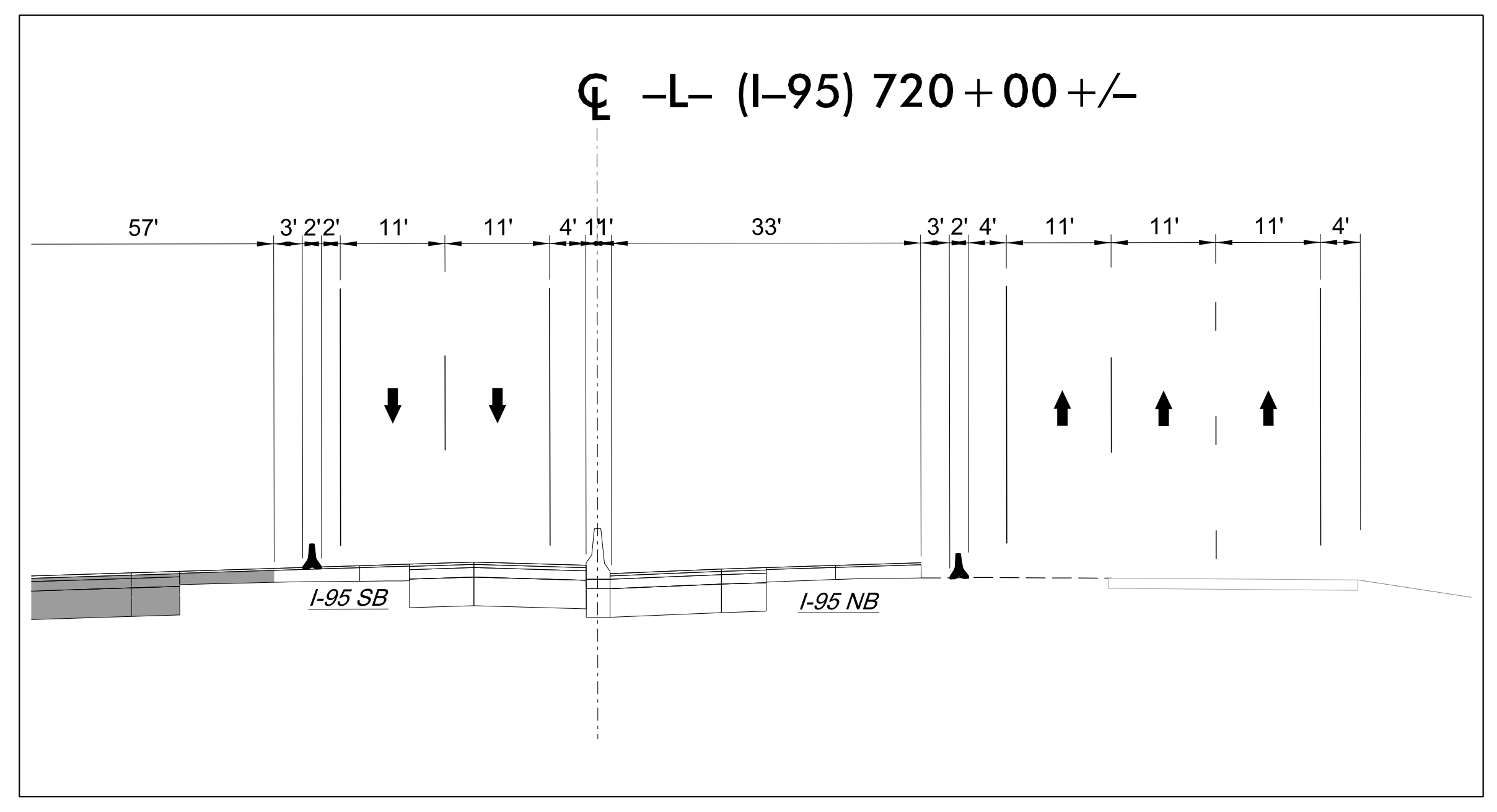
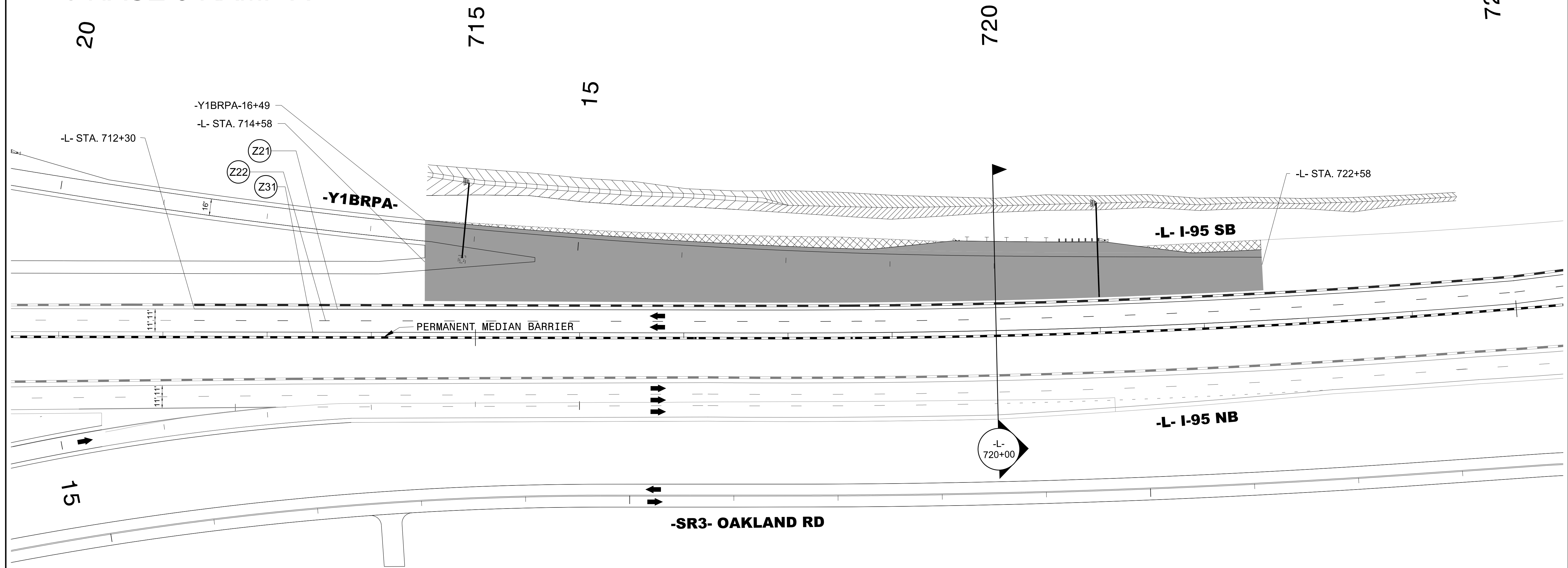


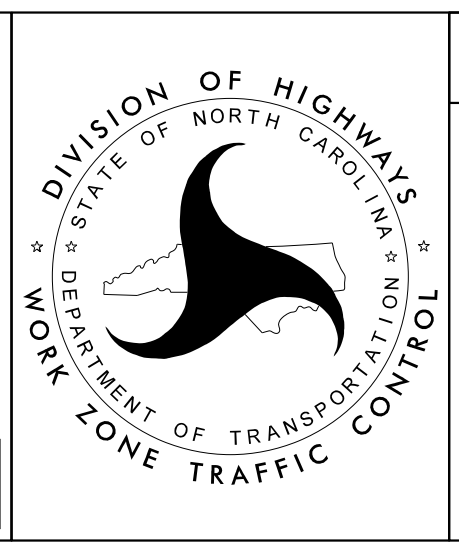
PHASE 3 RAMP A



4/19/2022
U:\Traffic\Transportation Management Plan\TCP\PLAN SHEETS\I-5987B_TMP-239B_PHASE 3.dgn
angood

Stantec
 Stantec Consulting Services Inc.
 801 Jones Franklin Road
 Suite 300
 Raleigh, NC 27606
 Tel. 919.851.6866
 Fax. 919.851.7024
 www.stantec.com
 License No. F-0672

DocuSigned by:
 J.W. Woollard
 PROFESSIONAL SEAL
 19862
 ENGINEER
 J.W. WOOLLARD, JR.
 4/29/2022
**DOCUMENT NOT CONSIDERED FINAL
 UNLESS ALL SIGNATURES COMPLETED**



SECTION 2
 -L- I-95
 PHASE III
 STEP 1B, 1C