

MOTORIST PULL OFF AREA REQUIRED
 BETWEEN STATION -L- NB 770+00 +/- AND 790+00 +/-
 AS NEEDED TO COMPLETE PAVING OPERATIONS
 SEE TMP-2A-1 FOR DETAIL

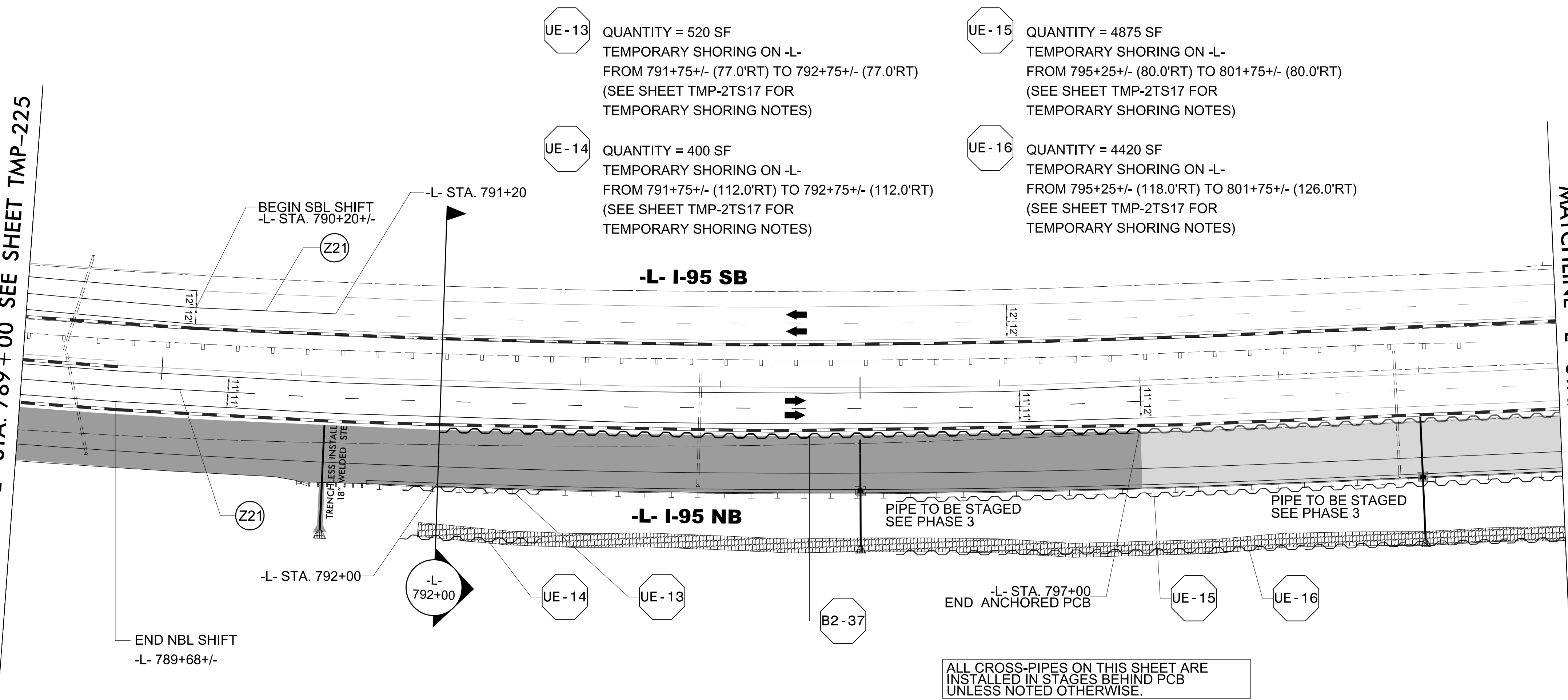
790

795

008

MATCHLINE -L- STA. 789 + 00 SEE SHEET TMP-225

MATCHLINE -L- STA. 800 + 00 SEE SHEET TMP-227



UE-13 QUANTITY = 520 SF
 TEMPORARY SHORING ON -L-
 FROM 791+75 +/- (77.0'RT) TO 792+75 +/- (77.0'RT)
 (SEE SHEET TMP-2TS17 FOR
 TEMPORARY SHORING NOTES)

UE-15 QUANTITY = 4875 SF
 TEMPORARY SHORING ON -L-
 FROM 795+25 +/- (80.0'RT) TO 801+75 +/- (80.0'RT)
 (SEE SHEET TMP-2TS17 FOR
 TEMPORARY SHORING NOTES)

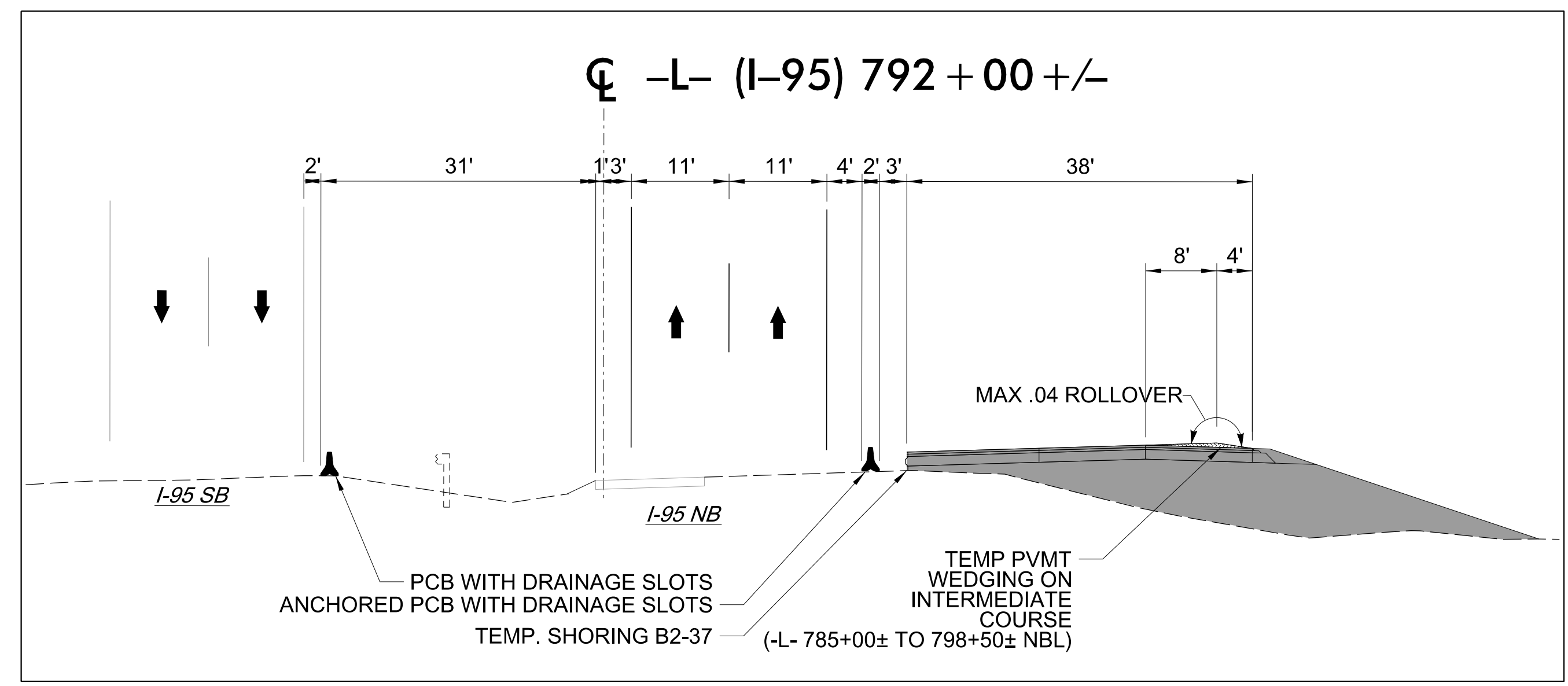
UE-14 QUANTITY = 400 SF
 TEMPORARY SHORING ON -L-
 FROM 791+75 +/- (112.0'RT) TO 792+75 +/- (112.0'RT)
 (SEE SHEET TMP-2TS17 FOR
 TEMPORARY SHORING NOTES)

UE-16 QUANTITY = 4420 SF
 TEMPORARY SHORING ON -L-
 FROM 795+25 +/- (118.0'RT) TO 801+75 +/- (126.0'RT)
 (SEE SHEET TMP-2TS17 FOR
 TEMPORARY SHORING NOTES)

PIPE TO BE STAGED
 SEE PHASE 3

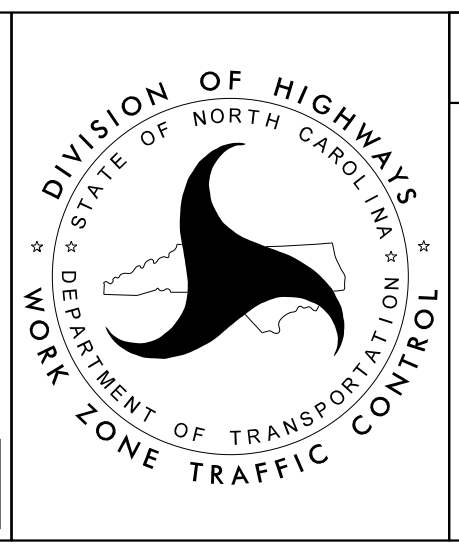
ALL CROSS-PIPES ON THIS SHEET ARE
 INSTALLED IN STAGES BEHIND PCB
 UNLESS NOTED OTHERWISE.

B2-37 QUANTITY = 1450 SF
 TEMPORARY SHORING ON -L-
 FROM 792+00 +/- (33.0'RT) TO 797+00 +/- (33.0'RT)
 (SEE SHEET TMP-2TS14 FOR
 TEMPORARY SHORING NOTES)



Stantec
 Stantec Consulting Services Inc.
 801 Jones Franklin Road
 Suite 300
 Raleigh, NC 27606
 Tel. 919.851.6866
 Fax. 919.851.7024
 www.stantec.com
 License No. F-0672

DocuSigned by
 J.W. Woollard
 PROFESSIONAL SEAL
 19862
 ENGINEER
 J.W. WOOLLARD, JR.
 4/29/2022
**DOCUMENT NOT CONSIDERED FINAL
 UNLESS ALL SIGNATURES COMPLETED**



SECTION 2
 -L- I-95
 PHASE II

4/19/2022
 U:\Traffic\Transportation Management Plan\TCP\PLAN SHEETS\I-5987B_TMP-226_PHASE 2.dgn
 angood