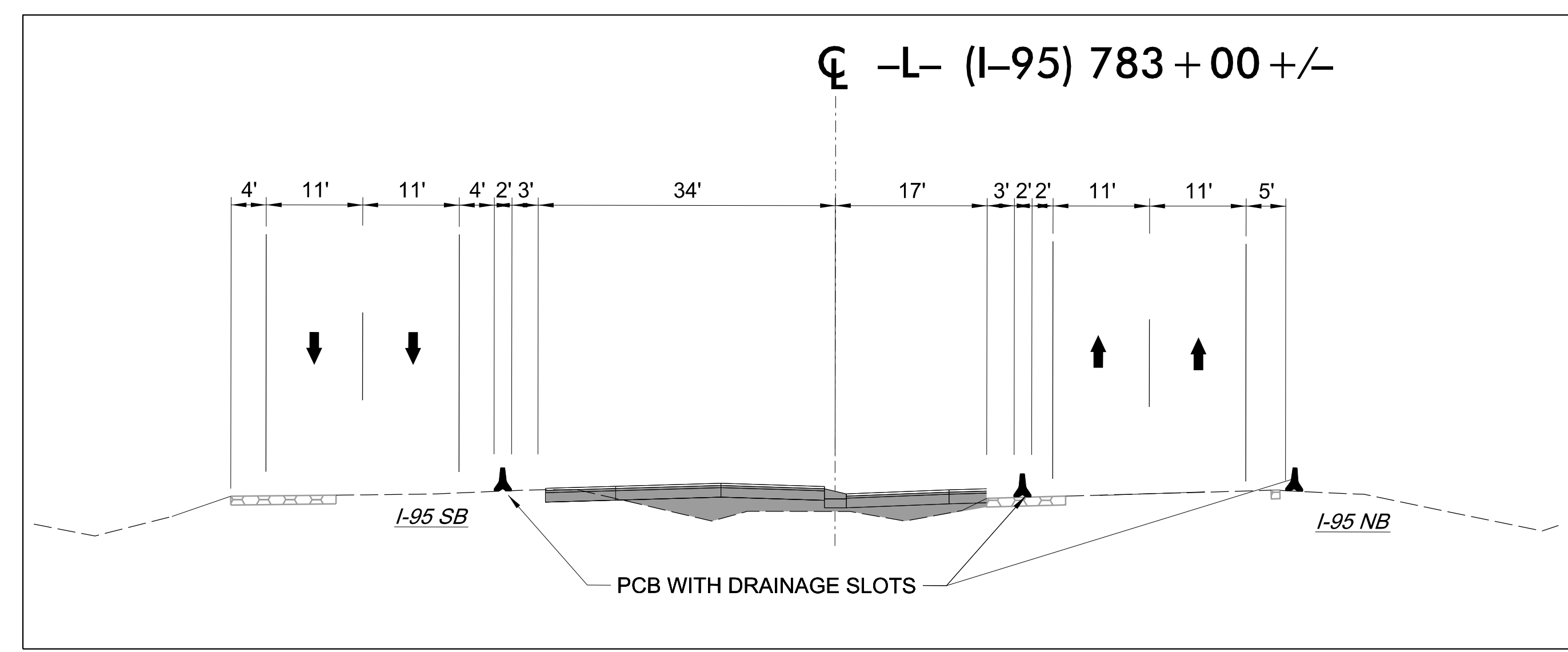
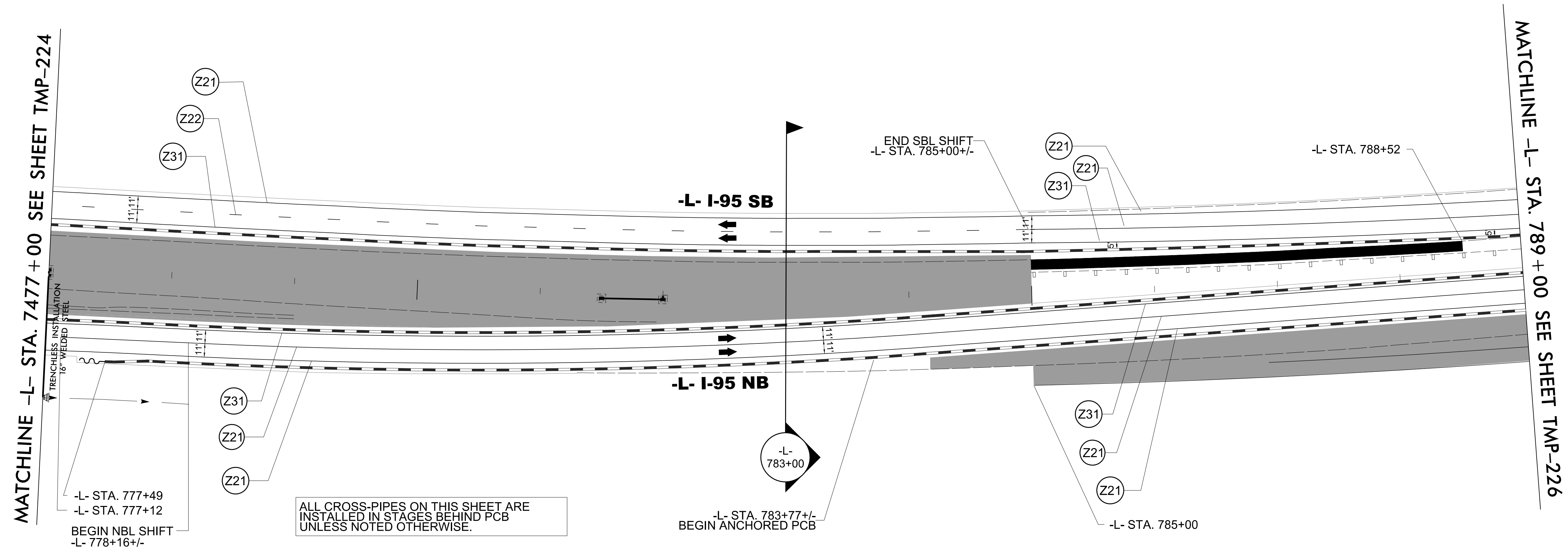


MOTORIST PULL OFF AREA REQUIRED
 BETWEEN STATION -L- NB 770+00+/- AND 790+00+/-
 AS NEEDED TO COMPLETE PAVING OPERATIONS
 SEE TMP-2A-1 FOR DETAIL

780

785



4/19/2022
 U:\Traffic\Transportation Management Plan\TCP\PLAN SHEETS\I-5987B_TMP-225_PHASE 2.dgn
 angood

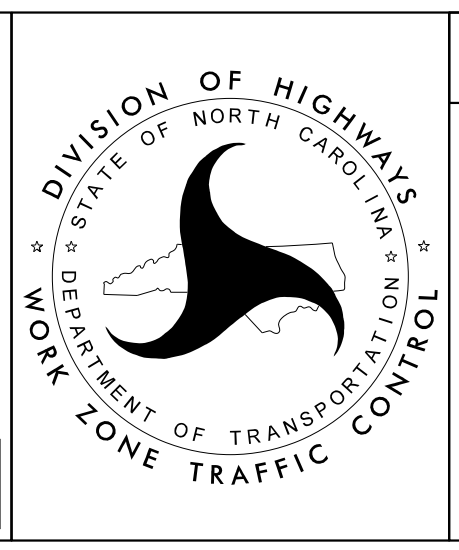
Stantec

Stantec Consulting Services Inc.
 801 Jones Franklin Road
 Suite 300
 Raleigh, NC 27606
 Tel. 919.851.6866
 Fax. 919.851.7024
 www.stantec.com
 License No. F-0672

DocuSigned by:
 J.W. Woollard, Jr.
 19862

4/29/2022

**DOCUMENT NOT CONSIDERED FINAL
 UNLESS ALL SIGNATURES COMPLETED**



SECTION 2

-L- I-95
 PHASE II