

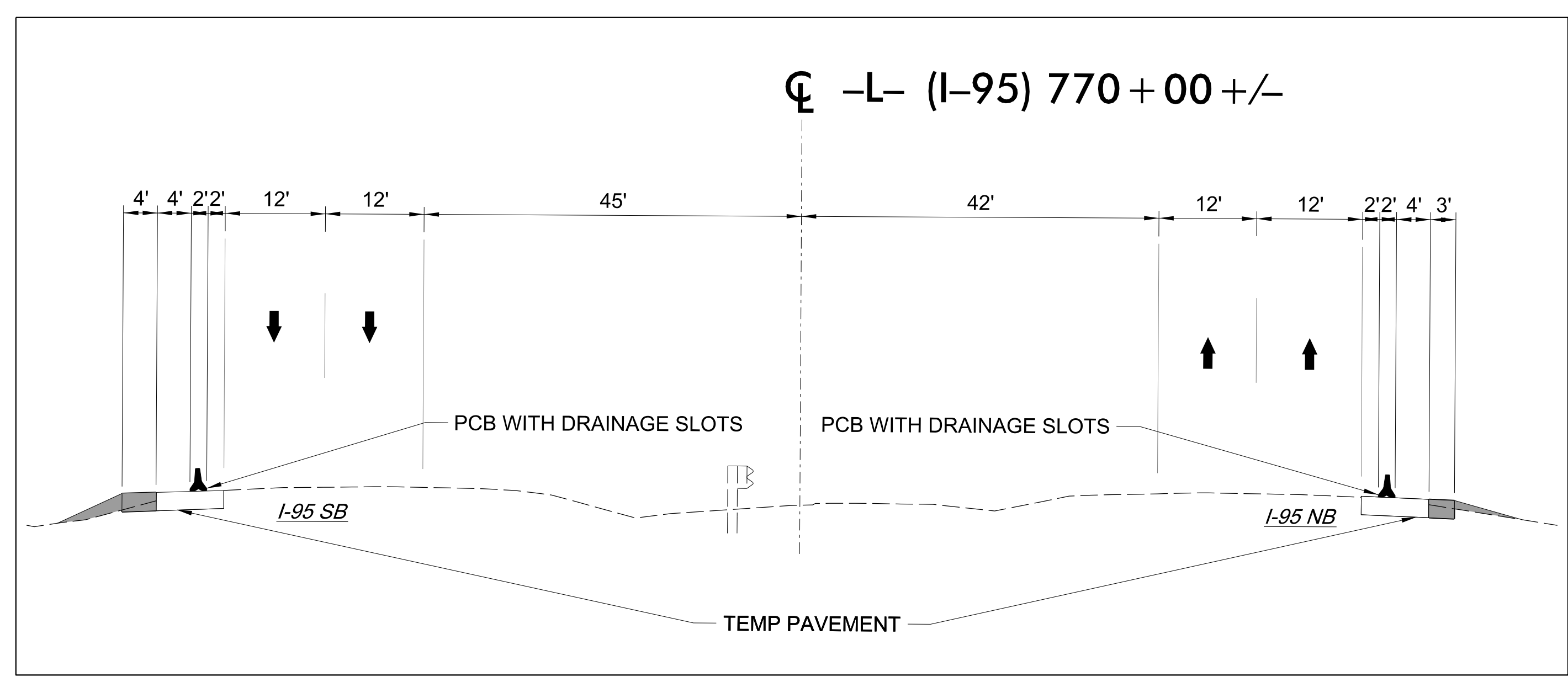
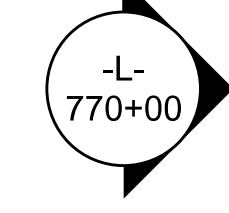
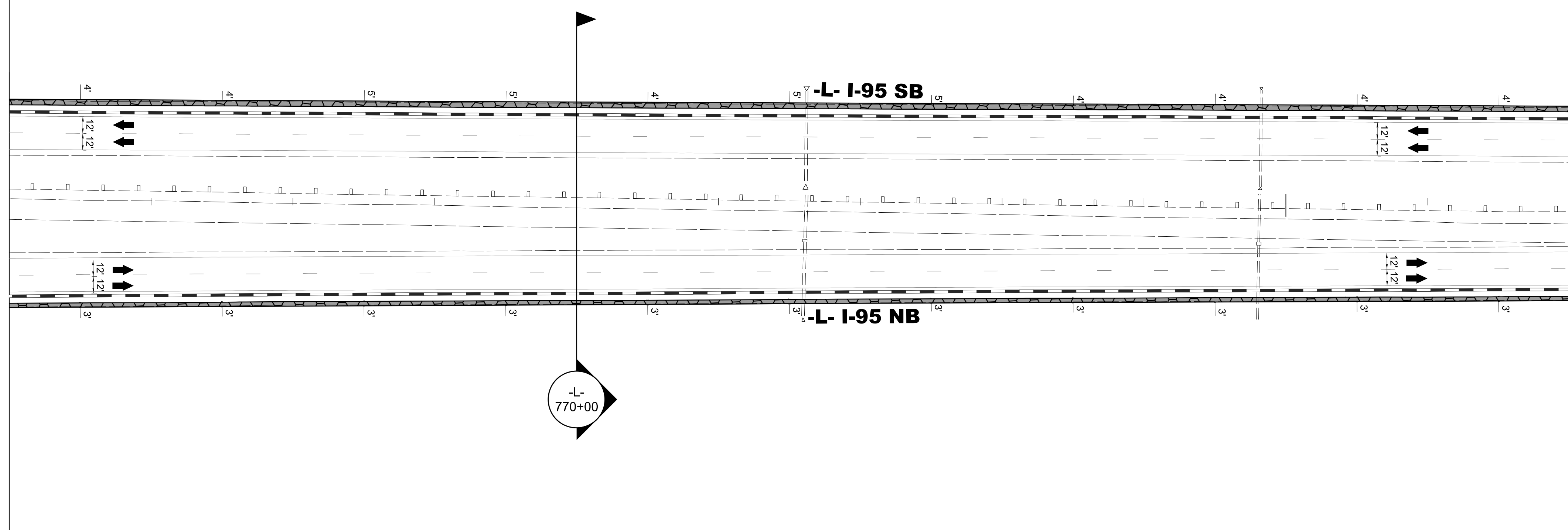
25

770

775

MATCHLINE -L- STA. 766 + 00 SEE SHEET TMP-143

MATCHLINE -L- STA. 777 + 00 SEE SHEET TMP-145

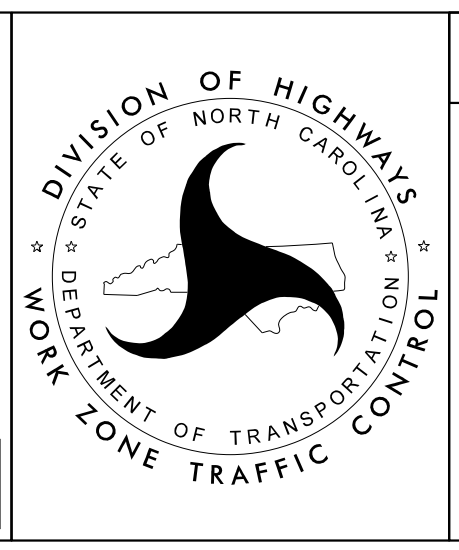


Stantec
 Stantec Consulting Services Inc.
 801 Jones Franklin Road
 Suite 300
 Raleigh, NC 27606
 Tel. 919.851.6866
 Fax. 919.851.7024
 www.stantec.com
 License No. F-0672

DocuSigned by
 J.W. Woollard
 58020F49E565C
 4/29/2022

PROFESSIONAL SEAL
 19862
 ENGINEER
 J.W. WOOLLARD, JR.

**DOCUMENT NOT CONSIDERED FINAL
 UNLESS ALL SIGNATURES COMPLETED**



SECTION 2

-L- I-95
 PHASE I
 STEP 1B