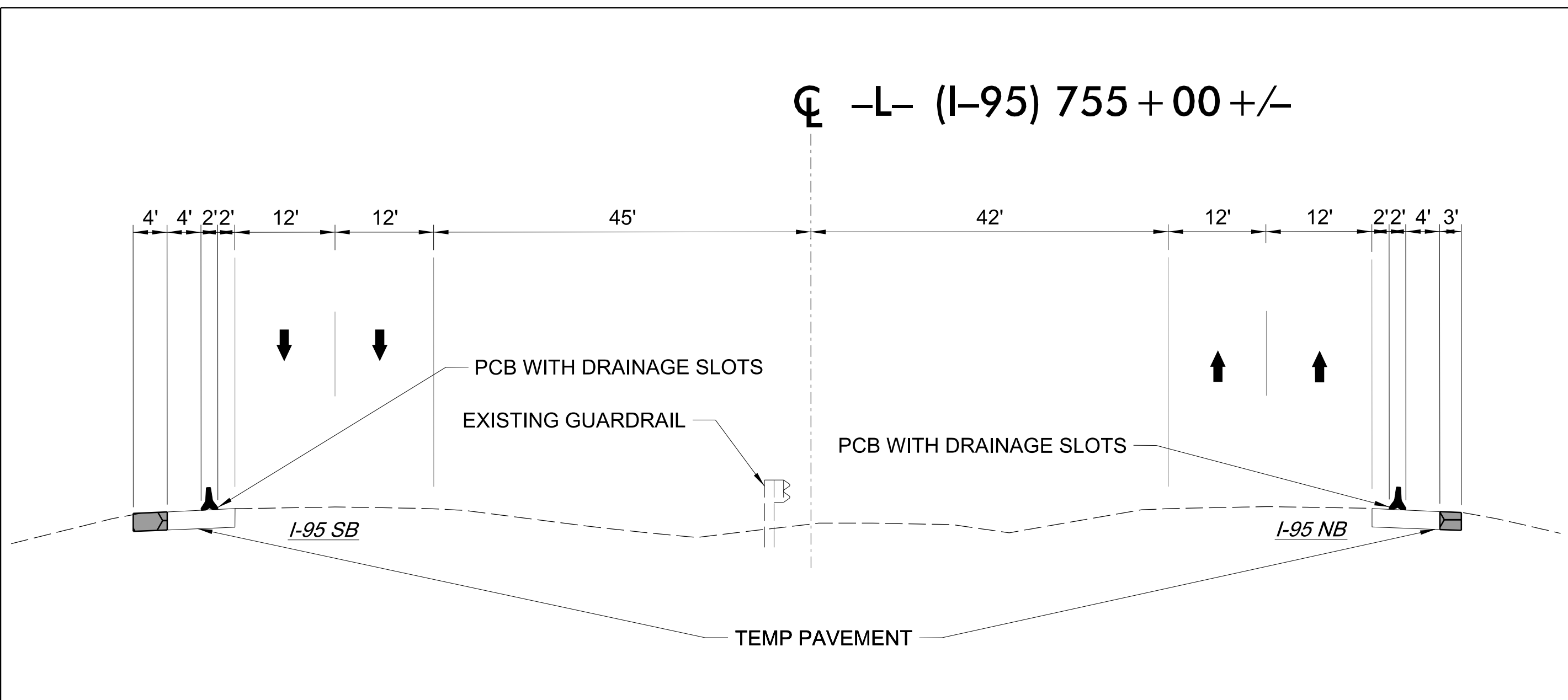
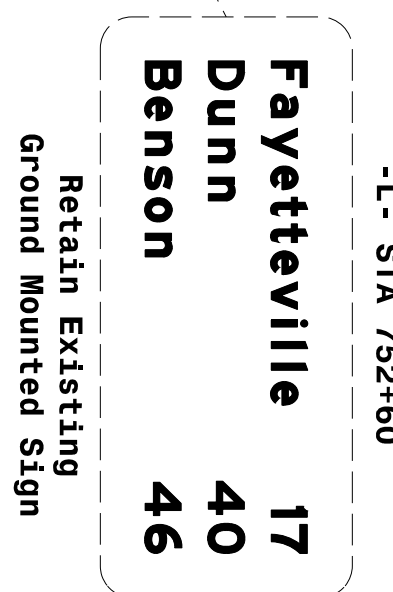
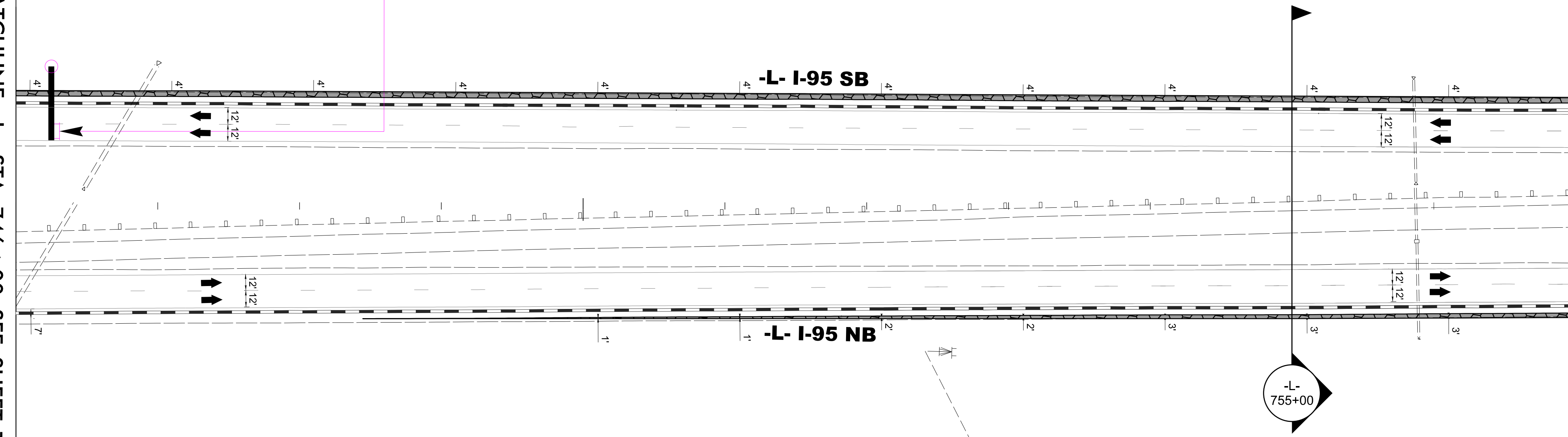


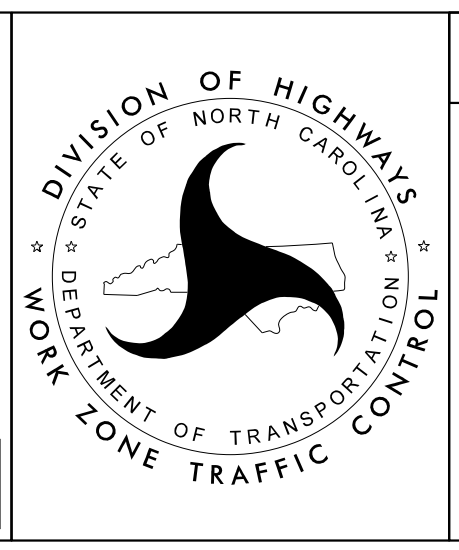
MATCHLINE -L- STA. 746+00 SEE SHEET TMP-141

MATCHLINE -L- STA. 757+00 SEE SHEET TMP-143



Stantec
 Stantec Consulting Services Inc.
 801 Jones Franklin Road
 Suite 300
 Raleigh, NC 27606
 Tel. 919.851.6866
 Fax. 919.851.7024
 www.stantec.com
 License No. F-0672

DocuSigned by:
 J.W. Woolard
 PROFESSIONAL
 SEAL
 19862
 ENGINEER
 J.W. WOOLARD, JR.
 4/29/2022
**DOCUMENT NOT CONSIDERED FINAL
 UNLESS ALL SIGNATURES COMPLETED**



SECTION 2

-L- I-95
 PHASE I
 STEP 1B

3/15/2022
 U:\Traffic\Transportation Management Plan\TCP\PLAN SHEETS\I-5987B_TMP_142_PHASE_1_STEP_1B.dgn
 angood