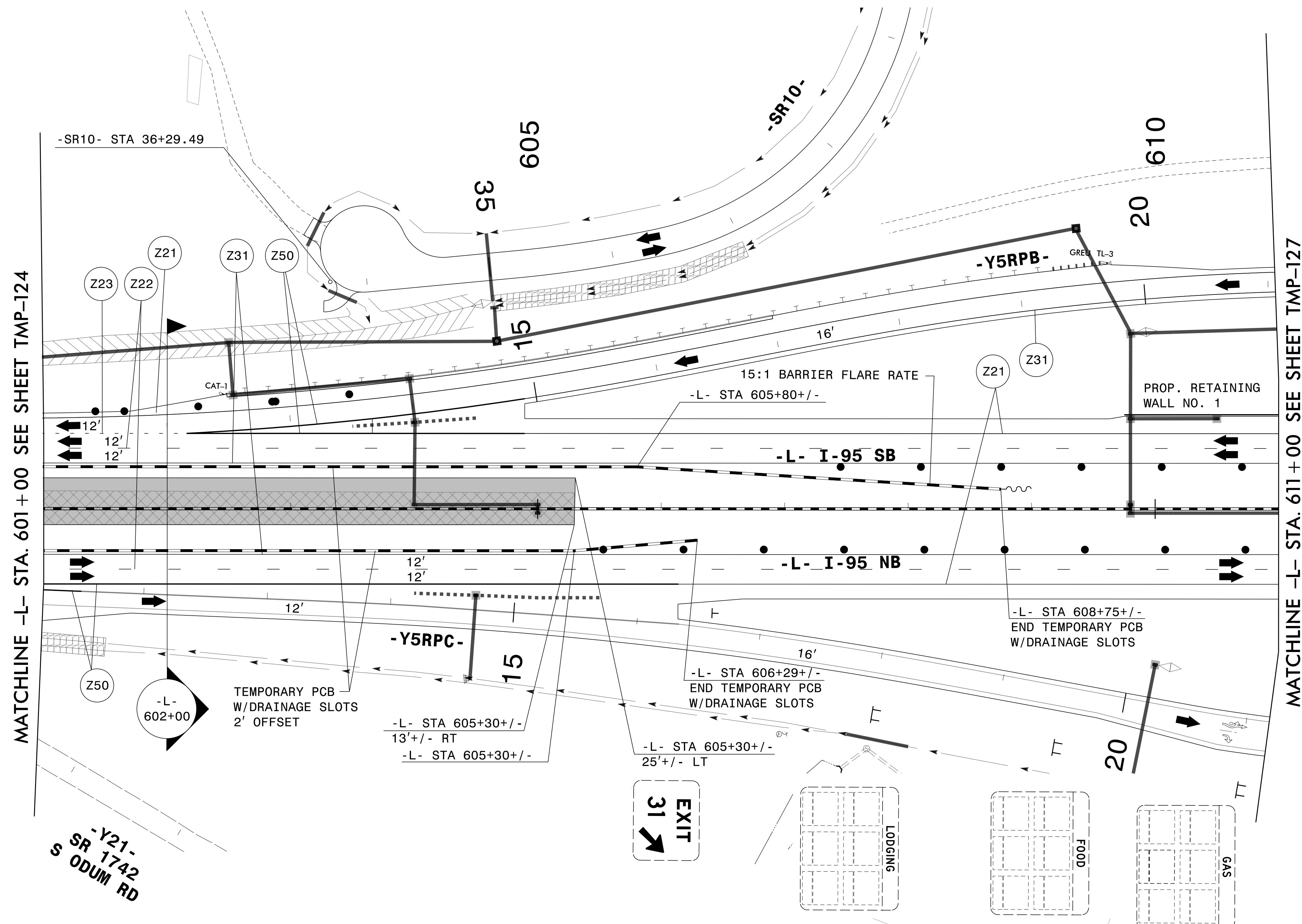
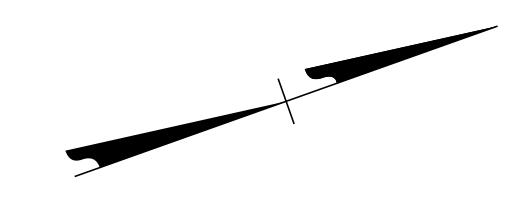
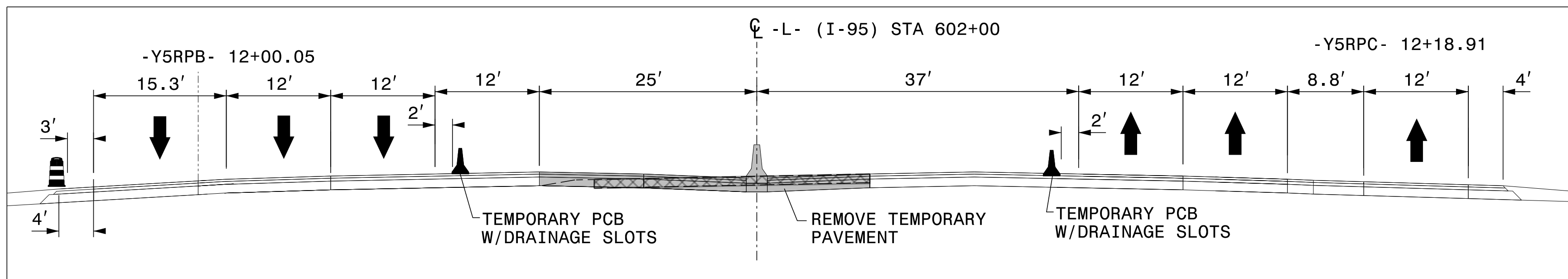


PLANS PREPARED FOR THE NCDOT BY:
M MOTT MACDONALD I & E, LLC
 1101 HAYNES STREET, SUITE 101
 RALEIGH, NC 27604
M MOTT MACDONALD
 NC LICENSE NO. F-0669



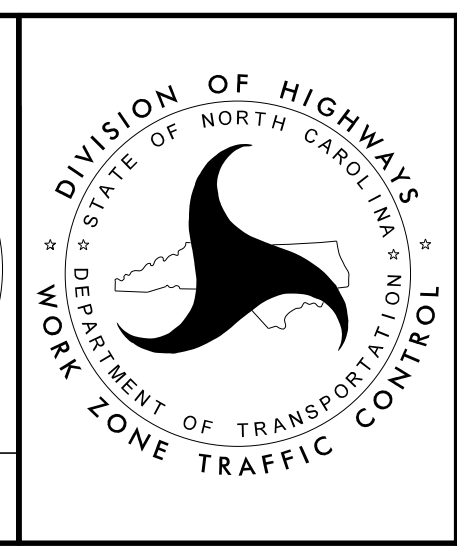
MATCHLINE -L- STA. 601+00 SEE SHEET TMP-124

MATCHLINE -L- STA. 611+00 SEE SHEET TMP-127



3/29/2022
 G:\50100191\NV5_I-5987B\TrafficControl\Top\200_521_I-5987B_TMP-126_Phase V_13.dgn
 User:ST086227

APPROVED: *Lori D. Stouckio*
 DATE: _____
 PROFESSIONAL SEAL
 034437
 ENGINEER
 LORI D. STOUCKIO



SECTION 1

TEMPORARY TRAFFIC CONTROL
 PHASE V

DOCUMENT NOT CONSIDERED FINAL
 UNLESS ALL SIGNATURES COMPLETED