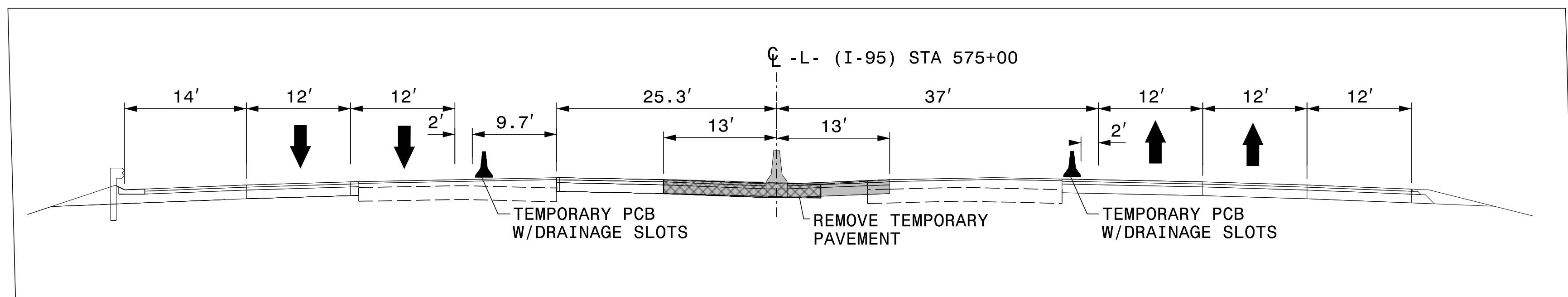
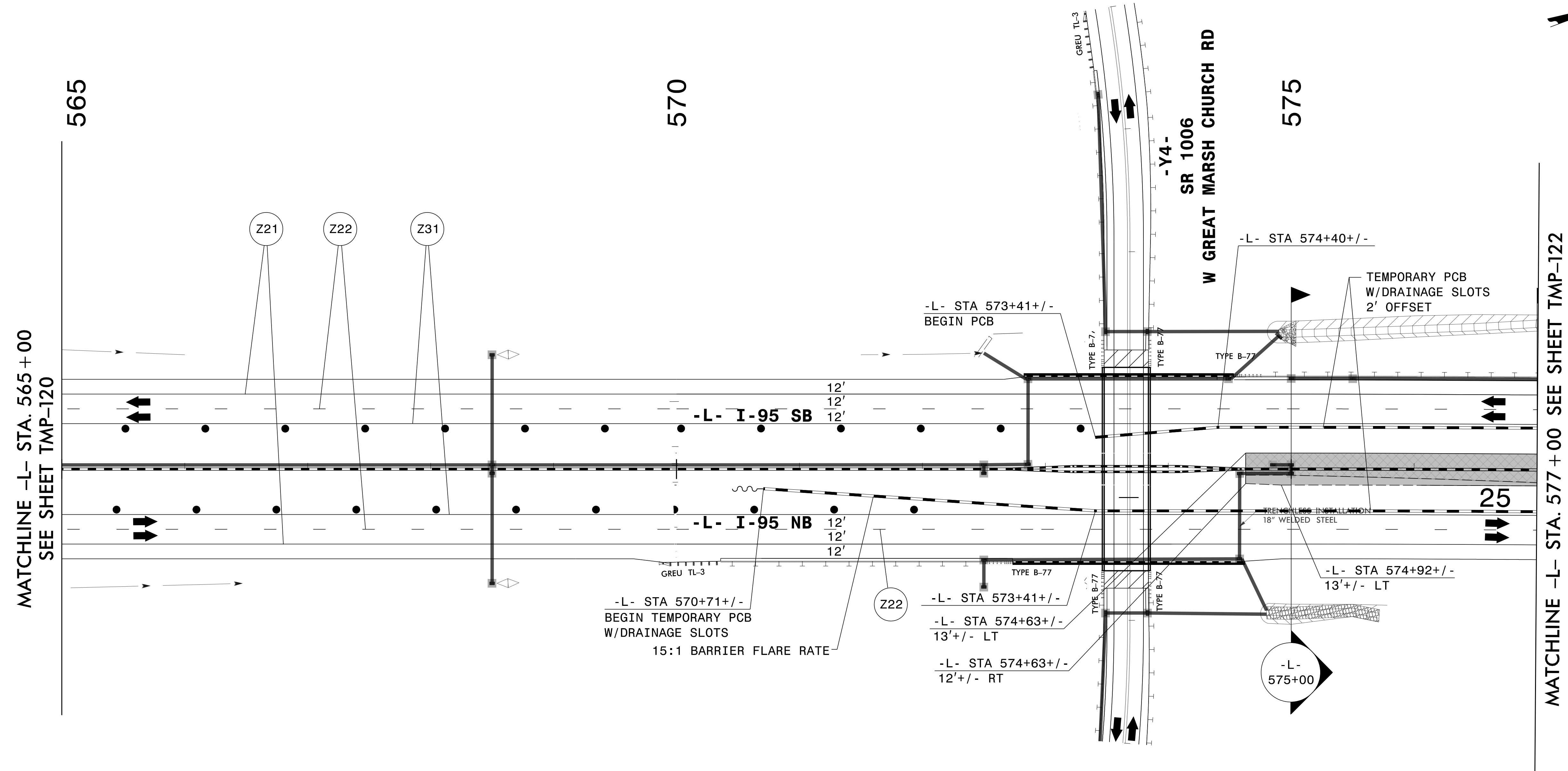
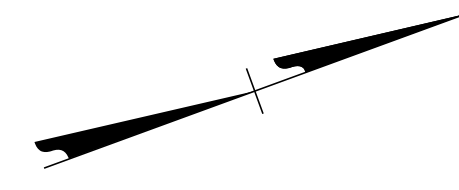


PROJ. REFERENCE NO.	SHEET NO.
I-5987B	TMP-121

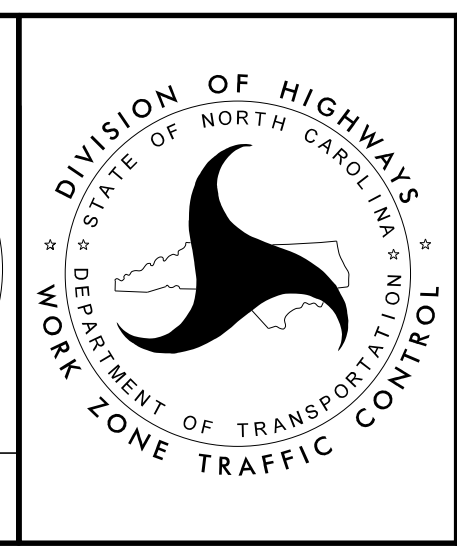
PLANS PREPARED FOR THE NCDOT BY:
M MOTT MACDONALD I & E, LLC
 1101 HAYNES STREET, SUITE 101
 RALEIGH, NC 27604
M MOTT MACDONALD
 NC LICENSE NO. F-0669



4/29/2022
 G:\50100191\NV5_1-5987B\TrafficControl\Top\200_5111-5987B_TMP-121_Phase V_10.dgn
 User:ST086227

DocuSigned by:
 APPROVED: *Lori D. Stoucho*
 DATE: _____

**DOCUMENT NOT CONSIDERED FINAL
 UNLESS ALL SIGNATURES COMPLETED**



SECTION 1
**TEMPORARY TRAFFIC CONTROL
 PHASE V**