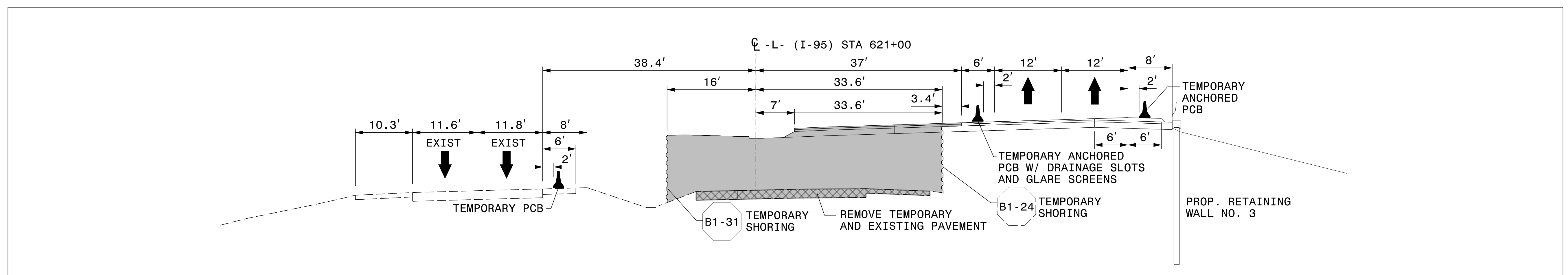


-L- STA 618+50

SEE SHEET TMP-74



-L- STA 621+00

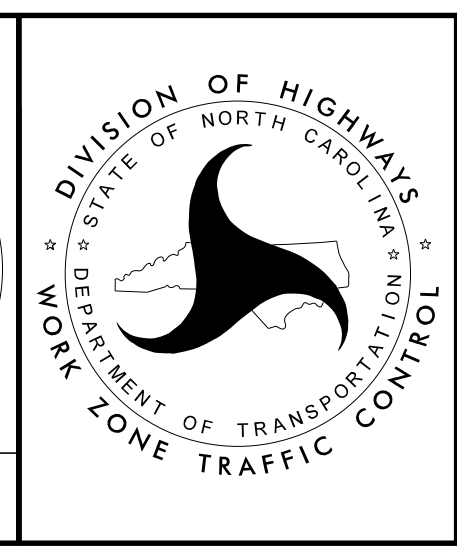
SEE SHEET TMP-74

3/29/2022
 G:\50100191\NV5_1-5987B\TrafficControl\Top\200_373_1-5987B-TMP-74C_Phase III_14.dgn
 User:ST086227

DocuSigned by:
 APPROVED: *Lori D. Stouchko*
 AF571AAAF4E411

DATE: _____

**DOCUMENT NOT CONSIDERED FINAL
 UNLESS ALL SIGNATURES COMPLETED**



SECTION 1

**TEMPORARY TRAFFIC CONTROL
 PHASE III**