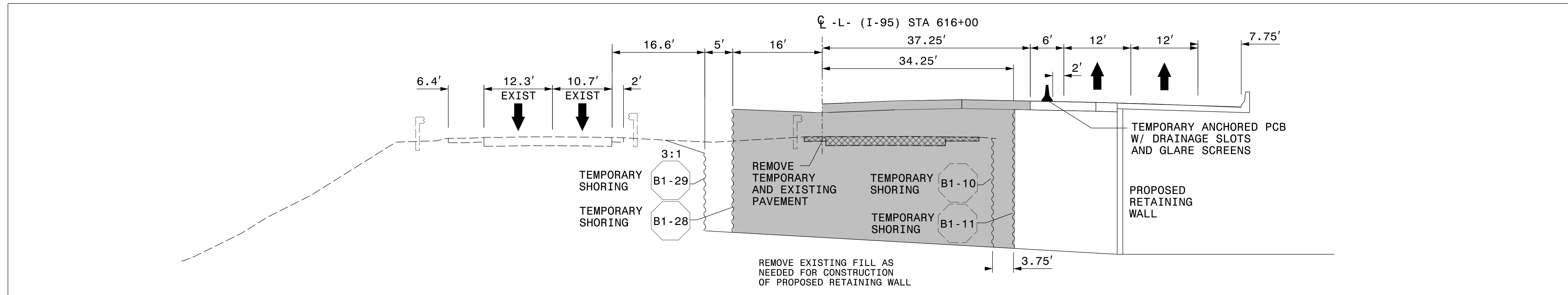


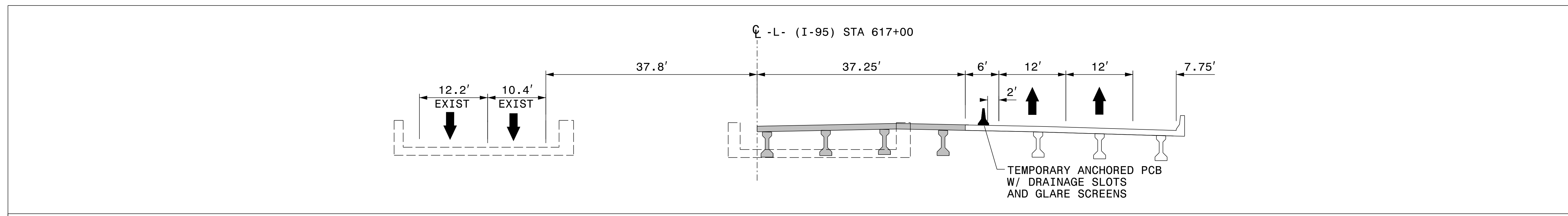
PLANS PREPARED FOR THE NCDOT BY:

M MOTT MACDONALD I & E, LLC
 1101 HAYNES STREET, SUITE 101
 RALEIGH, NC 27604
M MOTT MACDONALD NC LICENSE NO. F-0669



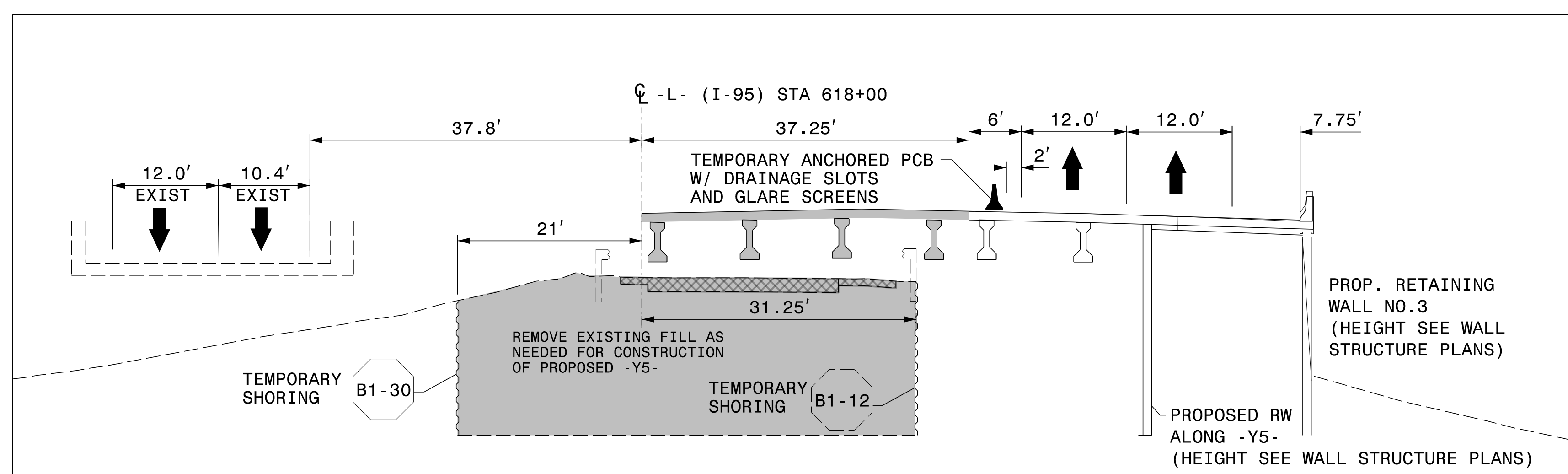
-L- STA 616+00

SEE SHEET TMP-74



-L- STA 617+00

SEE SHEET TMP-74



-L- STA 618+00

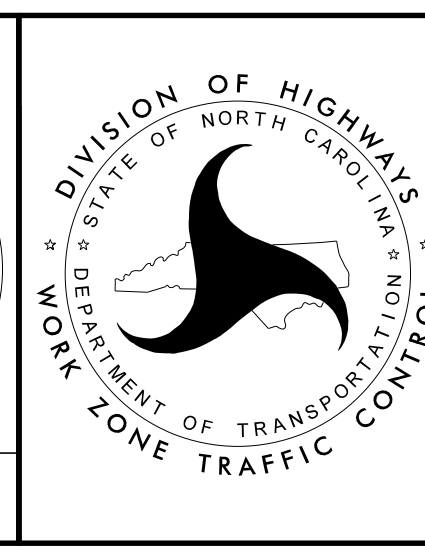
SEE SHEET TMP-74

3/29/2022 G:\50100191\NV5_I-5987B\TrafficControl\Twp\200_371-I-5987B-TMP-74B_Phase III.dgn User:ST086227

DocuSigned by:
 APPROVED: *Lori D. Stouchko*
 AF571AAAF411
 DATE: _____

PROFESSIONAL SEAL
 034437
 ENGINEER
 LORI D. STOUCHKO

DOCUMENT NOT CONSIDERED FINAL UNLESS ALL SIGNATURES COMPLETED



SECTION 1

TEMPORARY TRAFFIC CONTROL PHASE III