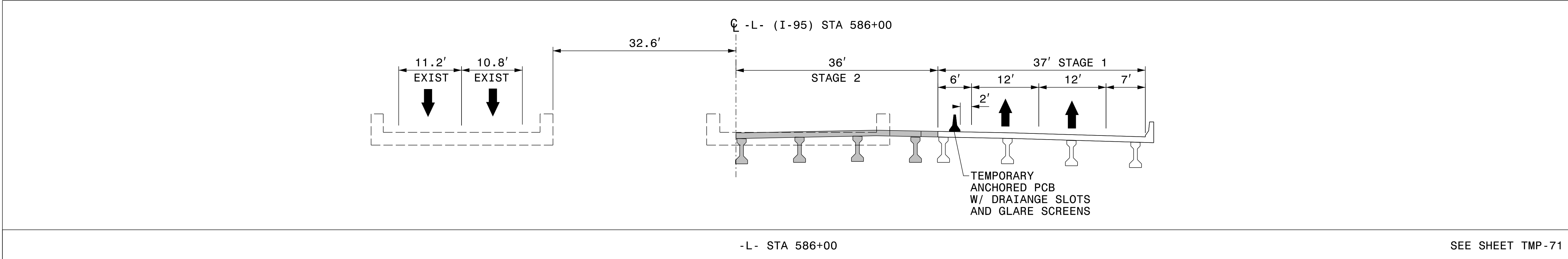


SEE SHEET TMP-71



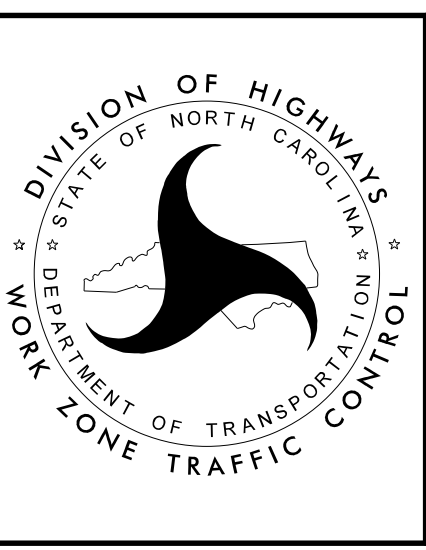
SEE SHEET TMP-71

3/29/2022
 G:\50100191_NV5_I-5987B\TrafficControl\Tc\200_357_I-5987B-TMP-71B_Phase III.dgn
 User:ST086227

DocuSigned by:
 APPROVED: *Lori D. Stouchko*
 AF571AAAF411

DATE: _____

**DOCUMENT NOT CONSIDERED FINAL
 UNLESS ALL SIGNATURES COMPLETED**



SECTION 1

**TEMPORARY TRAFFIC CONTROL
 PHASE III**