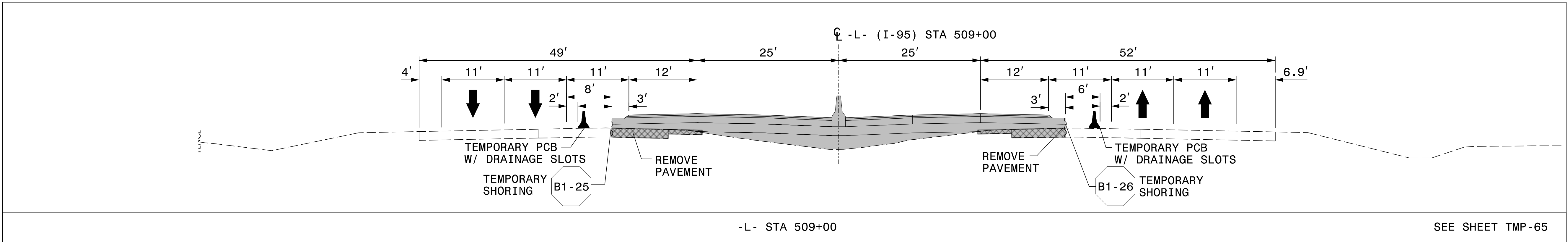
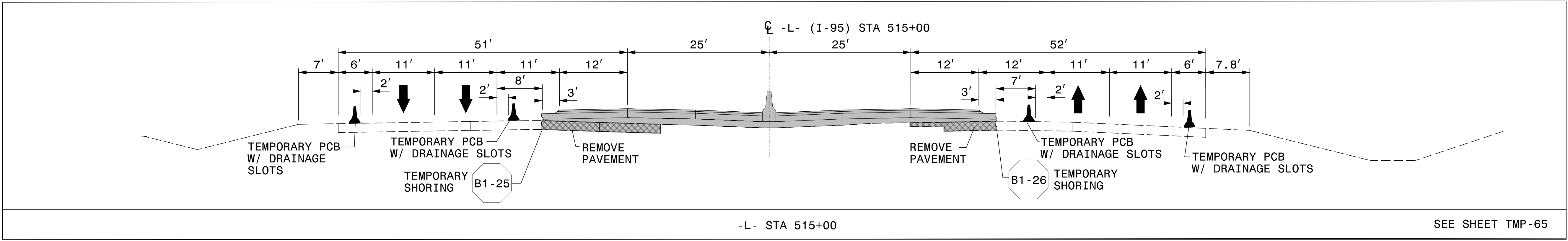


SEE SHEET TMP-65



SEE SHEET TMP-65



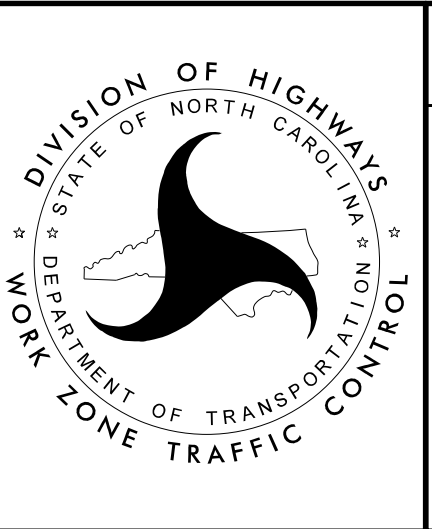
SEE SHEET TMP-65

3/29/2022 G:\50100191\NV5\_1-5987B\TrafficControl\Top\200\_333\_1-5987B-TMP-65A\_Phase III-5.dgn User:ST086227

DocuSigned by:  
 APPROVED *Lori D. Stouchko*  
 AF571AAAFEE411

DATE: \_\_\_\_\_

**DOCUMENT NOT CONSIDERED FINAL  
 UNLESS ALL SIGNATURES COMPLETED**



SECTION 1

TEMPORARY TRAFFIC CONTROL  
 PHASE III