

PLANS PREPARED FOR THE NCDOT BY:

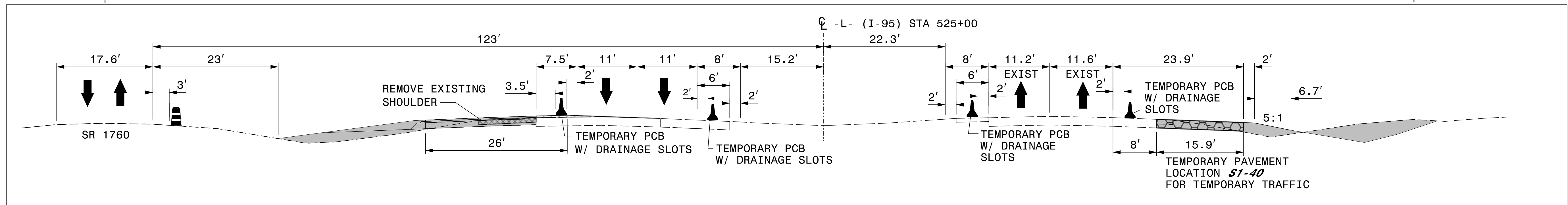
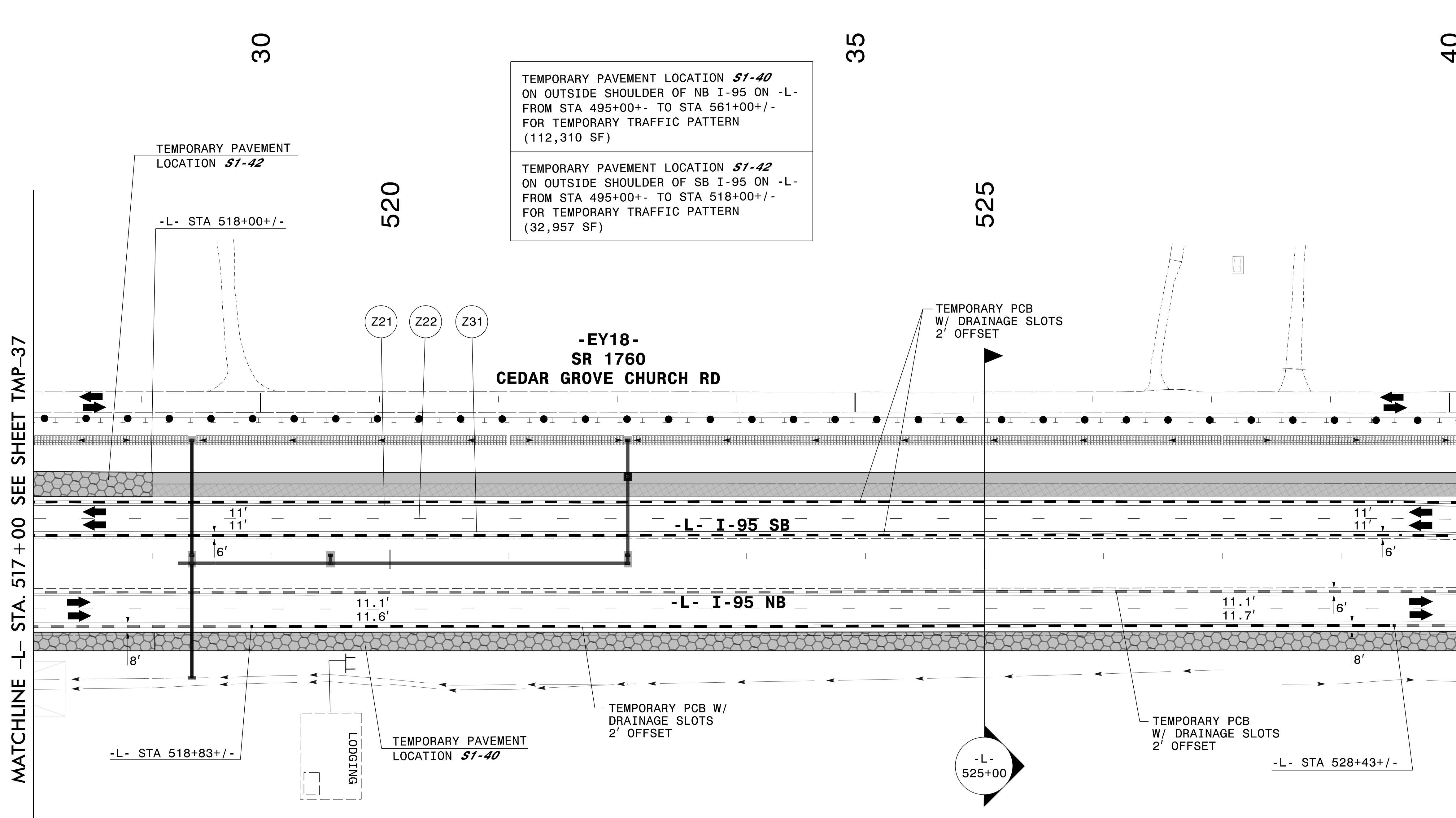
M MOTT MACDONALD I & E, LLC
1101 HAYNES STREET, SUITE 101
RALEIGH, NC 27604
NC LICENSE NO. F-0669

40



TEMPORARY PAVEMENT LOCATION **S1-40**
ON OUTSIDE SHOULDER OF NB I-95 ON -L-
FROM STA 495+00+/- TO STA 561+00+/-
FOR TEMPORARY TRAFFIC PATTERN
(112,310 SF)

TEMPORARY PAVEMENT LOCATION **S1-42**
ON OUTSIDE SHOULDER OF SB I-95 ON -L-
FROM STA 495+00+/- TO STA 518+00+/-
FOR TEMPORARY TRAFFIC PATTERN
(32,957 SF)



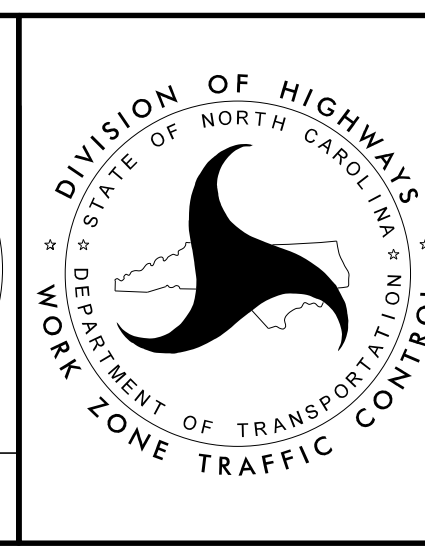
3/28/2022 G:\50100191\NV5_L-5987B\TrafficControl\Tc\200_227_I-5987B-TMP-38_Phase II.dgn User:ST086227

DocuSigned by:
APPROVED: *Lori D. Stouchko*
AF571AAAF411

DATE: _____

SEAL
034437
ENGINEER
LORI D. STOUCHKO

**DOCUMENT NOT CONSIDERED FINAL
UNLESS ALL SIGNATURES COMPLETED**



SECTION 1

TEMPORARY TRAFFIC CONTROL
PHASE II