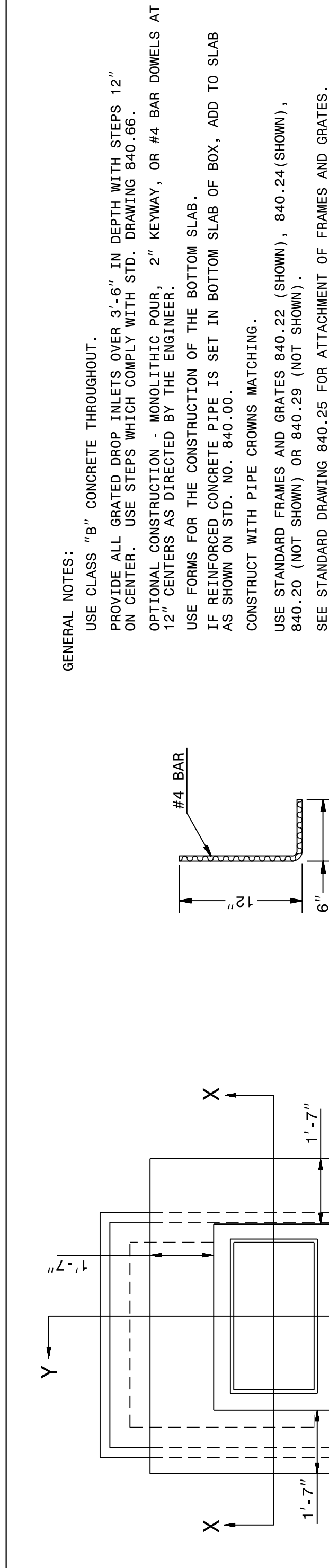


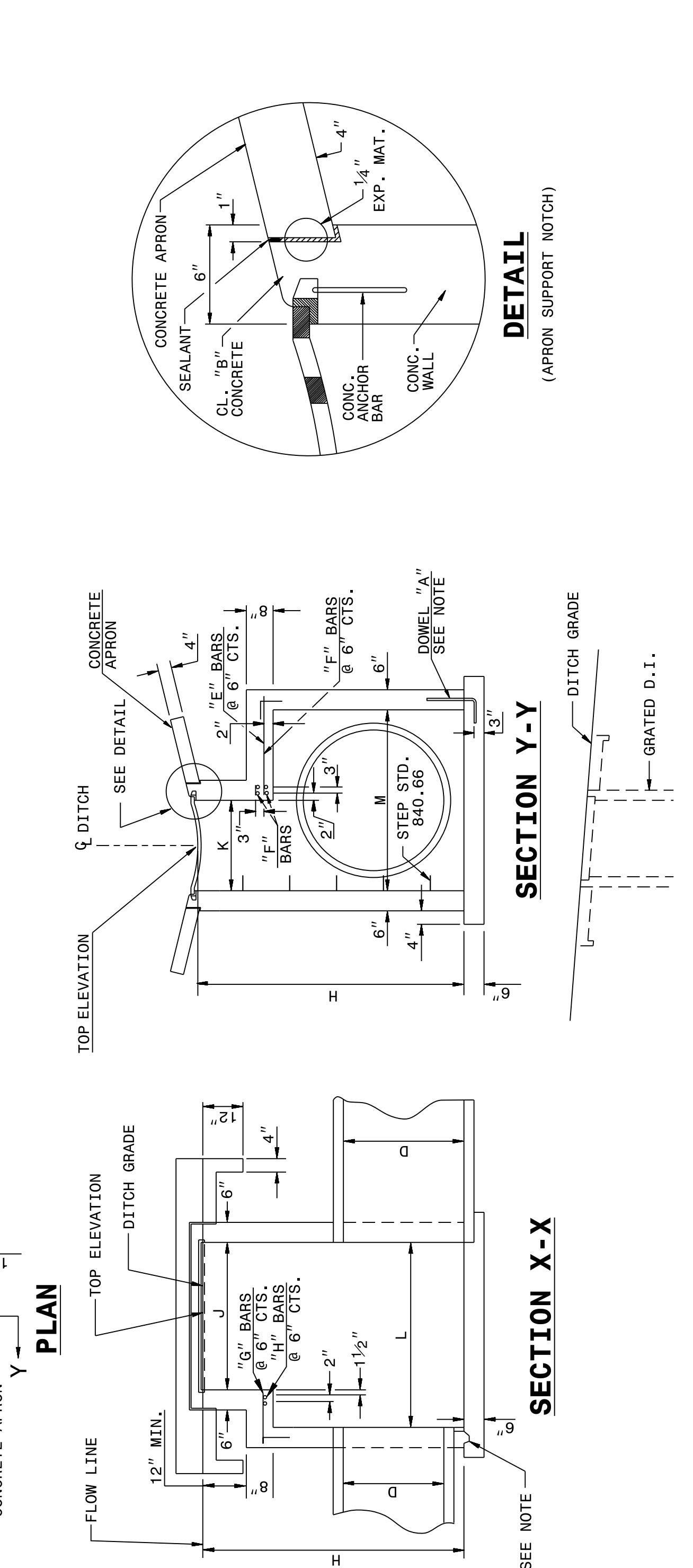
STATE OF NORTH CAROLINA DEPT. OF TRANSPORTATION DIVISION OF HIGHWAYS RALEIGH, N.C.

ENGLISH DETAIL DRAWING FOR CONCRETE GRATED DROP INLET TYPE 'A' MINIMUM DEPTH 12" THRU 72" PIPE

SHEET 1 OF 2 840d17



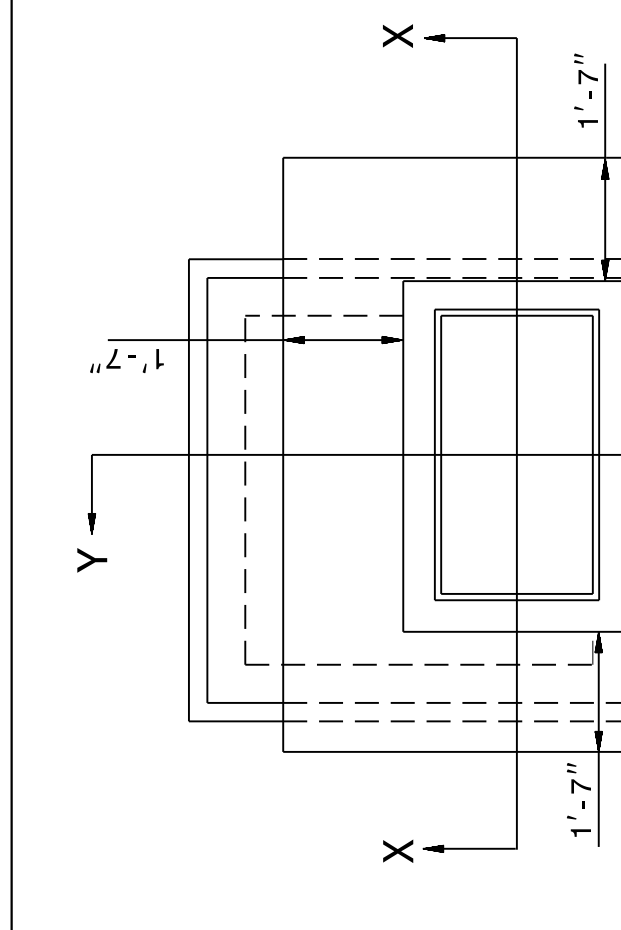
**GENERAL NOTES:**  
 USE CLASS "B" CONCRETE THROUGHOUT.  
 PROVIDE ALL GRATED DROP INLETS OVER 3'-6" IN DEPTH WITH STEPS 12" ON CENTER. USE STEPS WHICH COMPLY WITH STD. DRAWING 840.66.  
 OPTIONAL CONSTRUCTION - MONOLITHIC POUR, 2" KEYWAY, OR #4 BAR DOWELS AT 12" CENTERS AS DIRECTED BY THE ENGINEER.  
 USE FORMS FOR THE CONSTRUCTION OF THE BOTTOM SLAB.  
 REINFORCED CONCRETE PIPE IS SET IN BOTTOM SLAB OF BOX, ADD TO SLAB AS SHOWN ON STD. NO. 840.00.  
 CONSTRUCT WITH PIPE CROWNS MATCHING.  
 USE STANDARD FRAMES AND GRATES 840.22 (SHOWN), 840.24 (SHOWN), 840.20 (NOT SHOWN) OR 840.29 (NOT SHOWN).  
 SEE STANDARD DRAWING 840.25 FOR ATTACHMENT OF FRAMES AND GRATES.  
 CHAMFER ALL EXPOSED CORNERS 1".  
 DRAWING NOT TO SCALE.  
 MAX. DEPTH OF THIS STRUCTURE FROM TOP OF BOTTOM SLAB TO TOP ELEVATION IS 12 FEET.



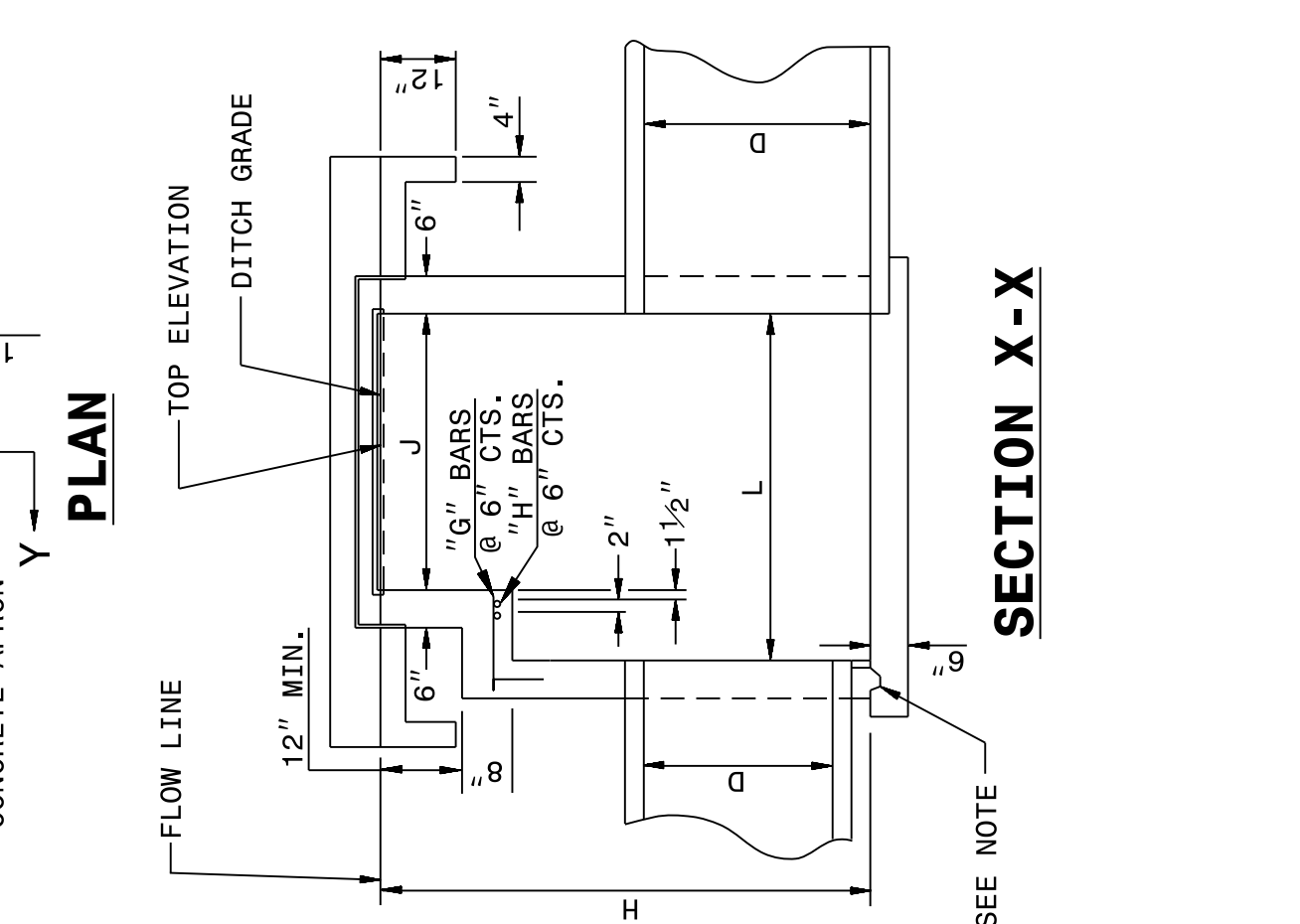
STATE OF NORTH CAROLINA DEPT. OF TRANSPORTATION DIVISION OF HIGHWAYS RALEIGH, N.C.

ENGLISH DETAIL DRAWING FOR CONCRETE GRATED DROP INLET TYPE 'A' MINIMUM DEPTH 12" THRU 72" PIPE

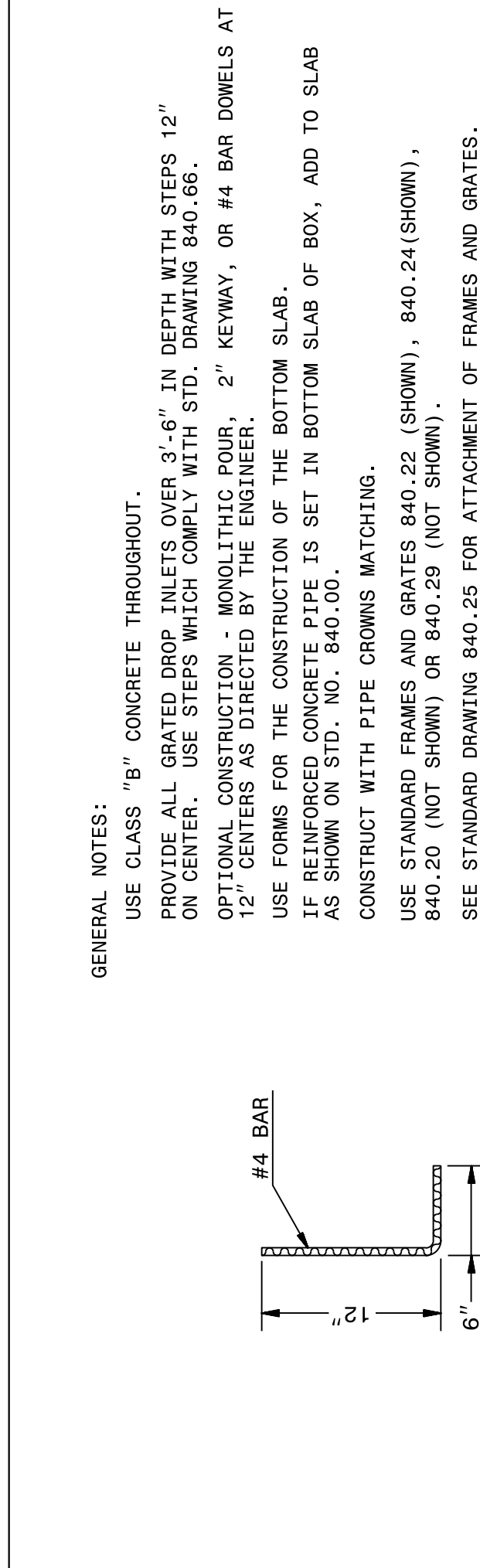
SHEET 1 OF 2 840d17



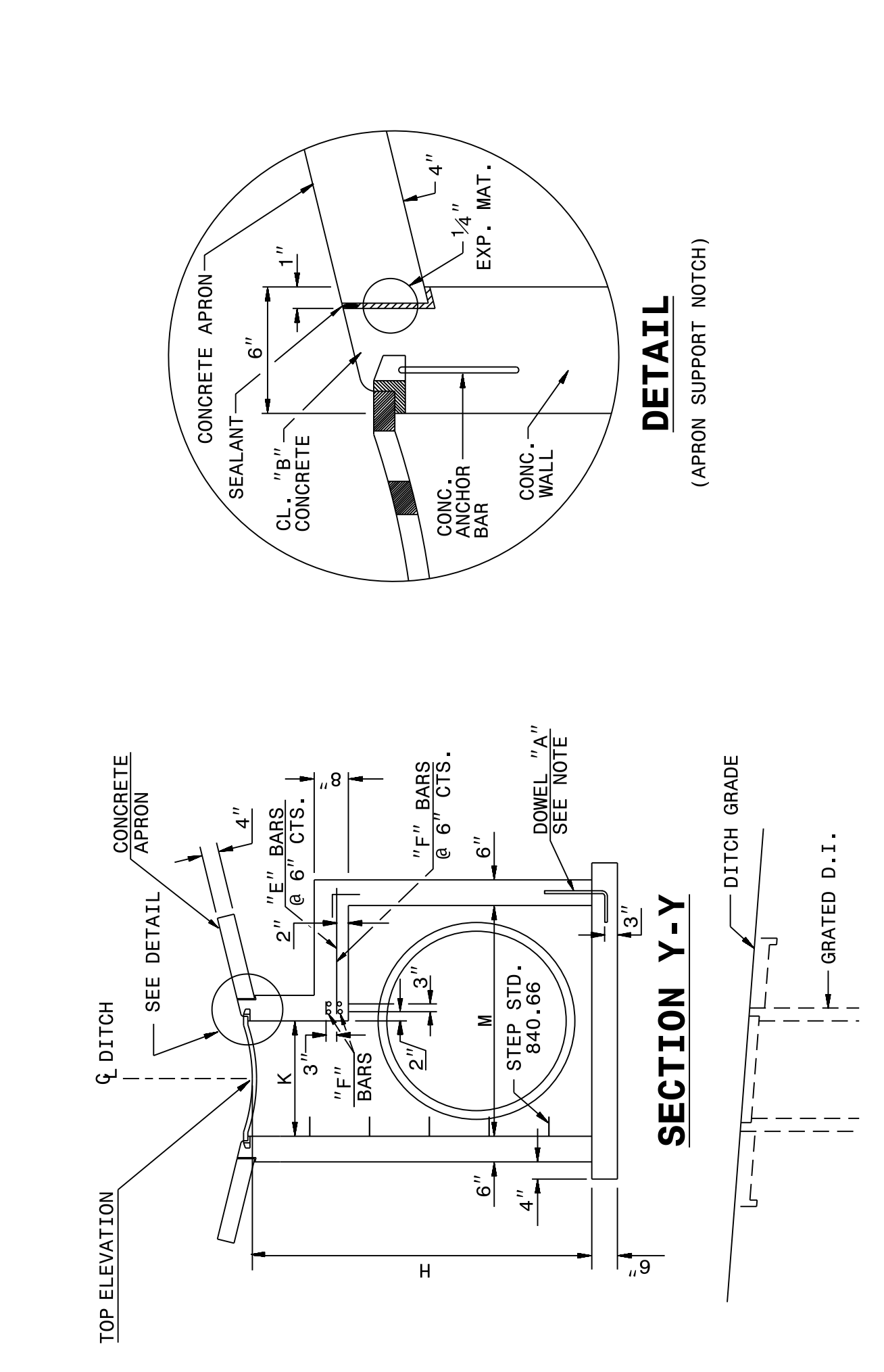
**SECTION X-X**  
 SEE NOTE



**SECTION Y-Y**  
 (APRON SUPPORT NOTCH)



**SECTION Y-Y**  
 (APRON SUPPORT NOTCH)

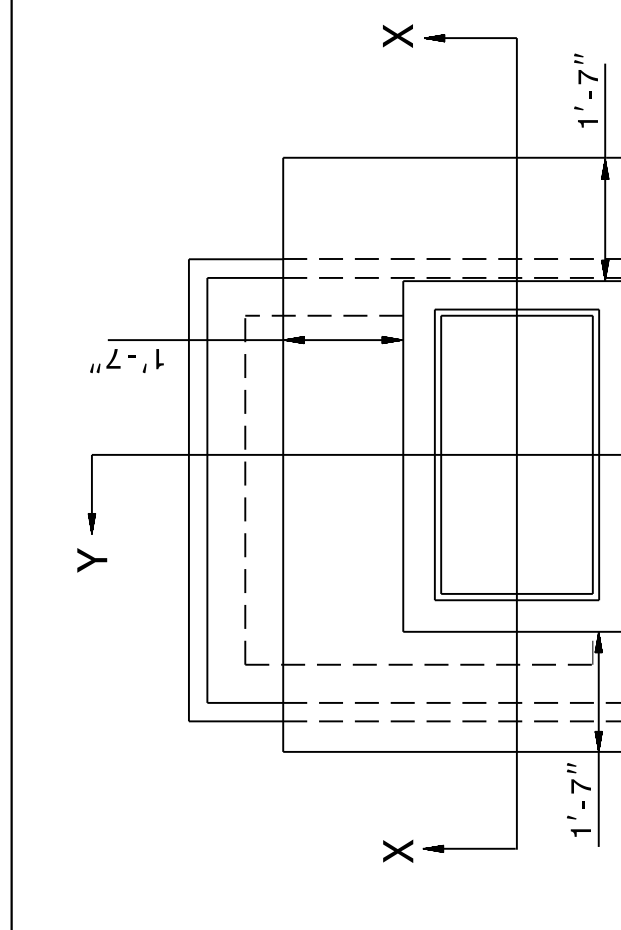


**DETAIL**  
 (APRON SUPPORT NOTCH)

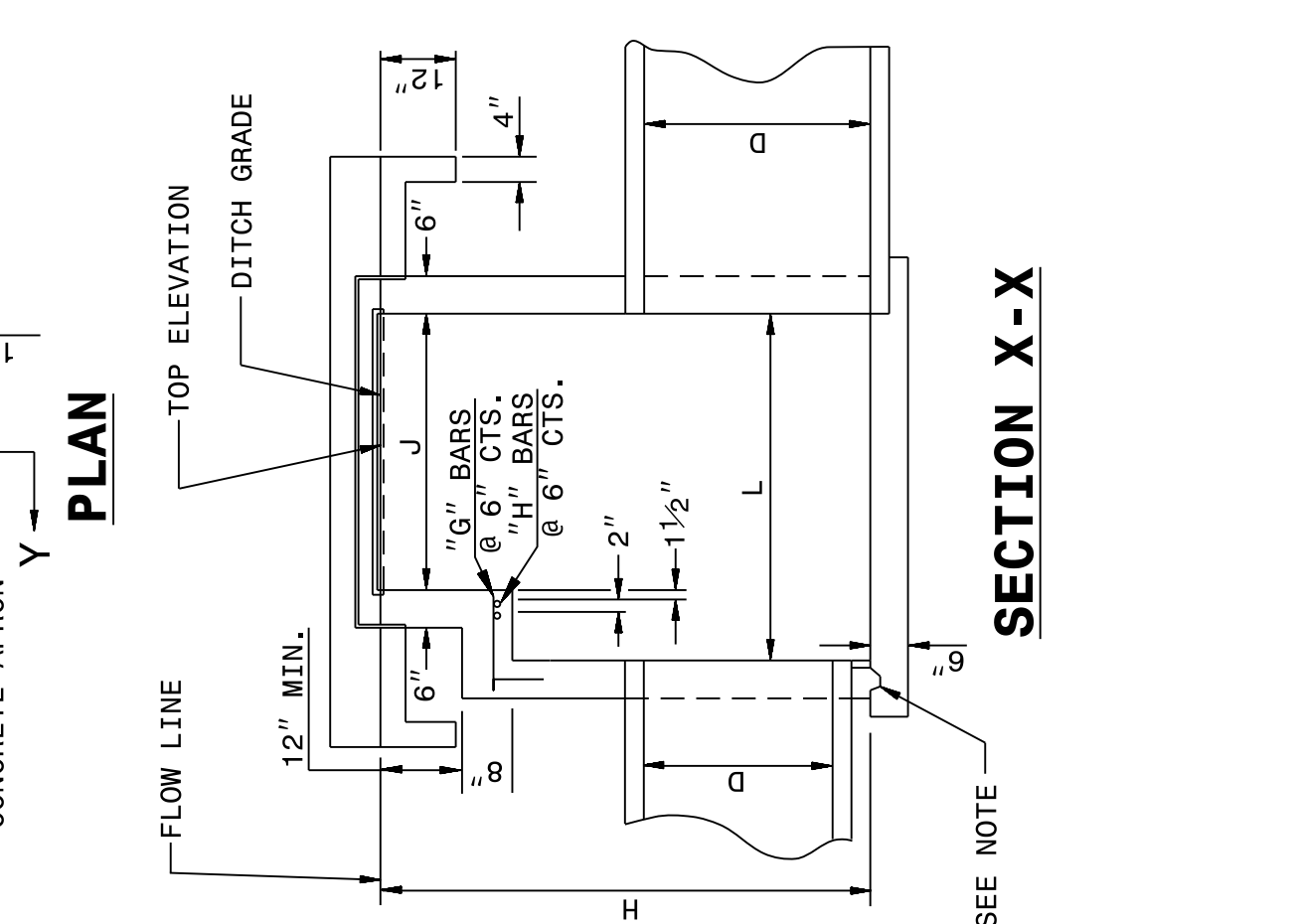
STATE OF NORTH CAROLINA DEPT. OF TRANSPORTATION DIVISION OF HIGHWAYS RALEIGH, N.C.

ENGLISH DETAIL DRAWING FOR CONCRETE GRATED DROP INLET TYPE 'A' MINIMUM DEPTH 12" THRU 72" PIPE

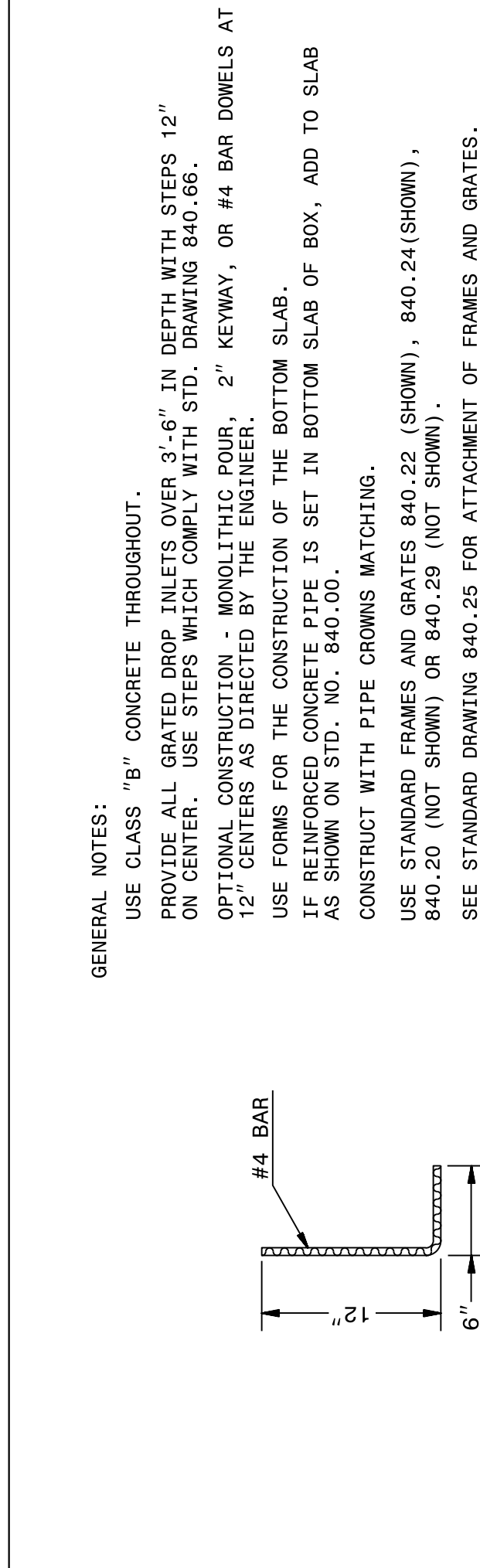
SHEET 2 OF 2 840d17



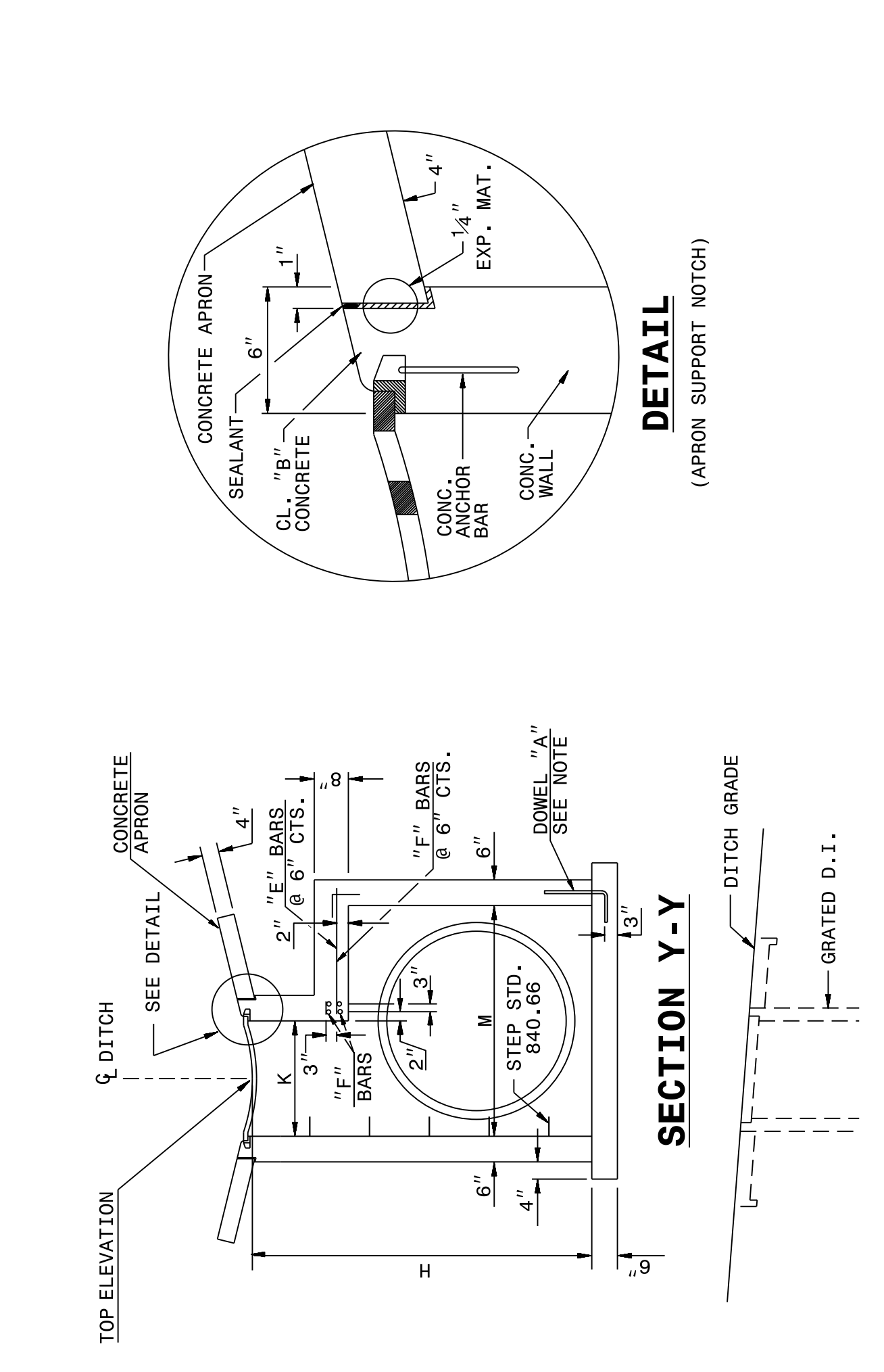
**SECTION V-V**  
 DOWEL B<sup>1</sup>, B<sup>2</sup> OR B<sup>3</sup>



**PART SECTION U-U**  
 PERMISSIBLE CONSTRUCTION JOINT



**SECTION V-V**  
 DOWEL B<sup>1</sup>, B<sup>2</sup> OR B<sup>3</sup>

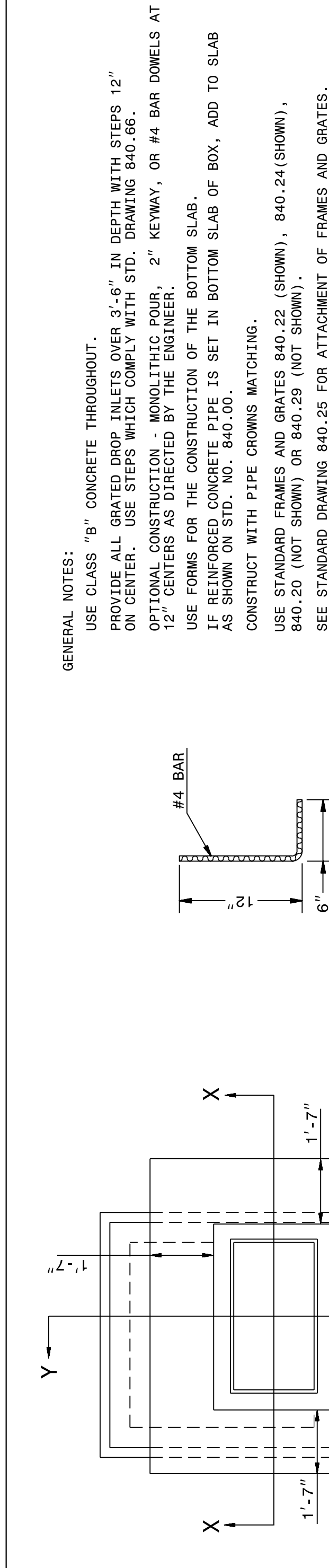


**PART SECTION U-U**  
 PERMISSIBLE CONSTRUCTION JOINT

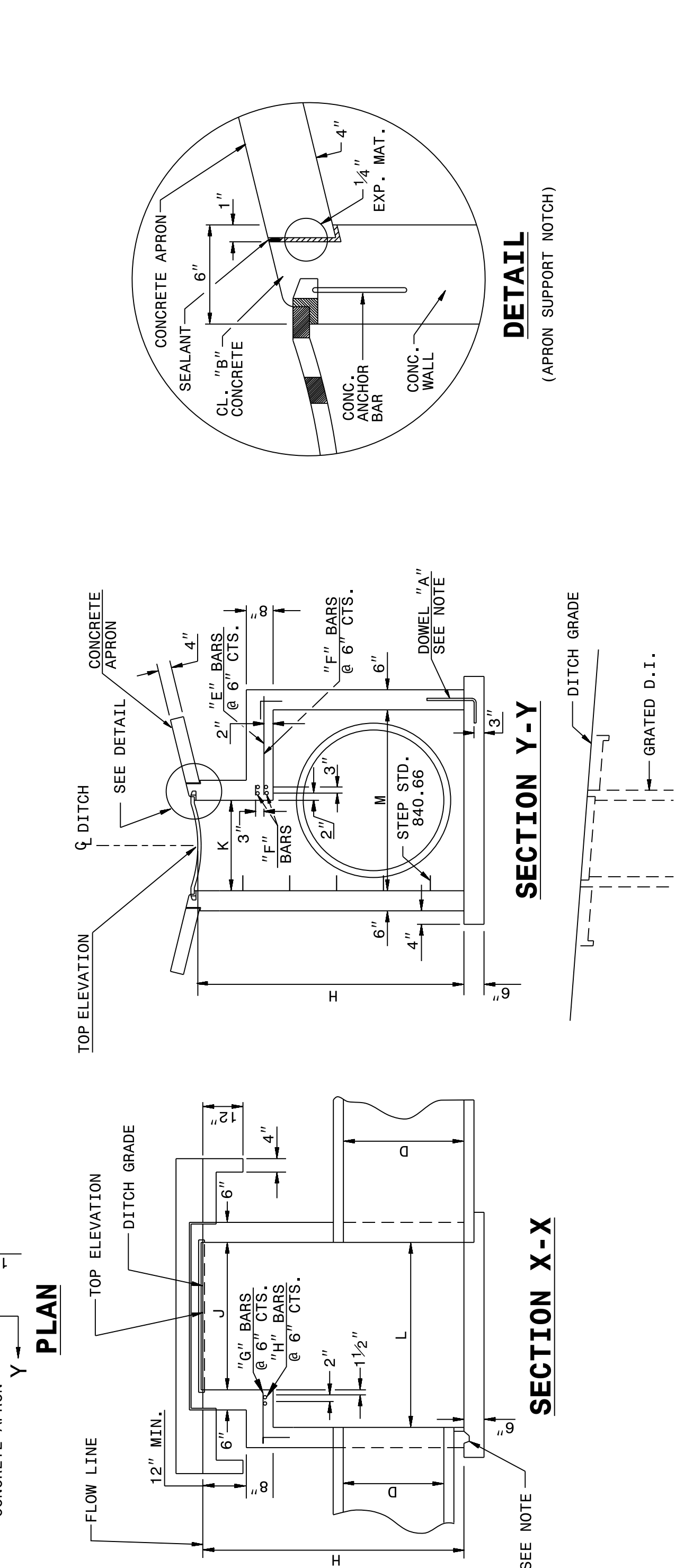
STATE OF NORTH CAROLINA DEPT. OF TRANSPORTATION DIVISION OF HIGHWAYS RALEIGH, N.C.

ENGLISH DETAIL DRAWING FOR CONCRETE GRATED DROP INLET TYPE 'A' MINIMUM DEPTH 12" THRU 72" PIPE

SHEET 2 OF 2 840d17



**SECTION V-V**  
 DOWEL B<sup>1</sup>, B<sup>2</sup> OR B<sup>3</sup>

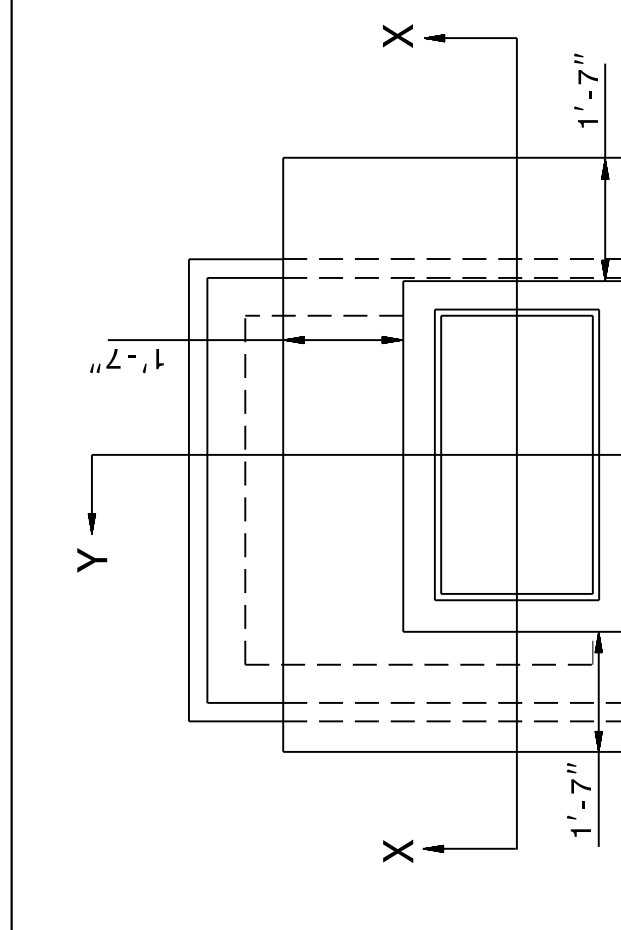


**PART SECTION U-U**  
 PERMISSIBLE CONSTRUCTION JOINT

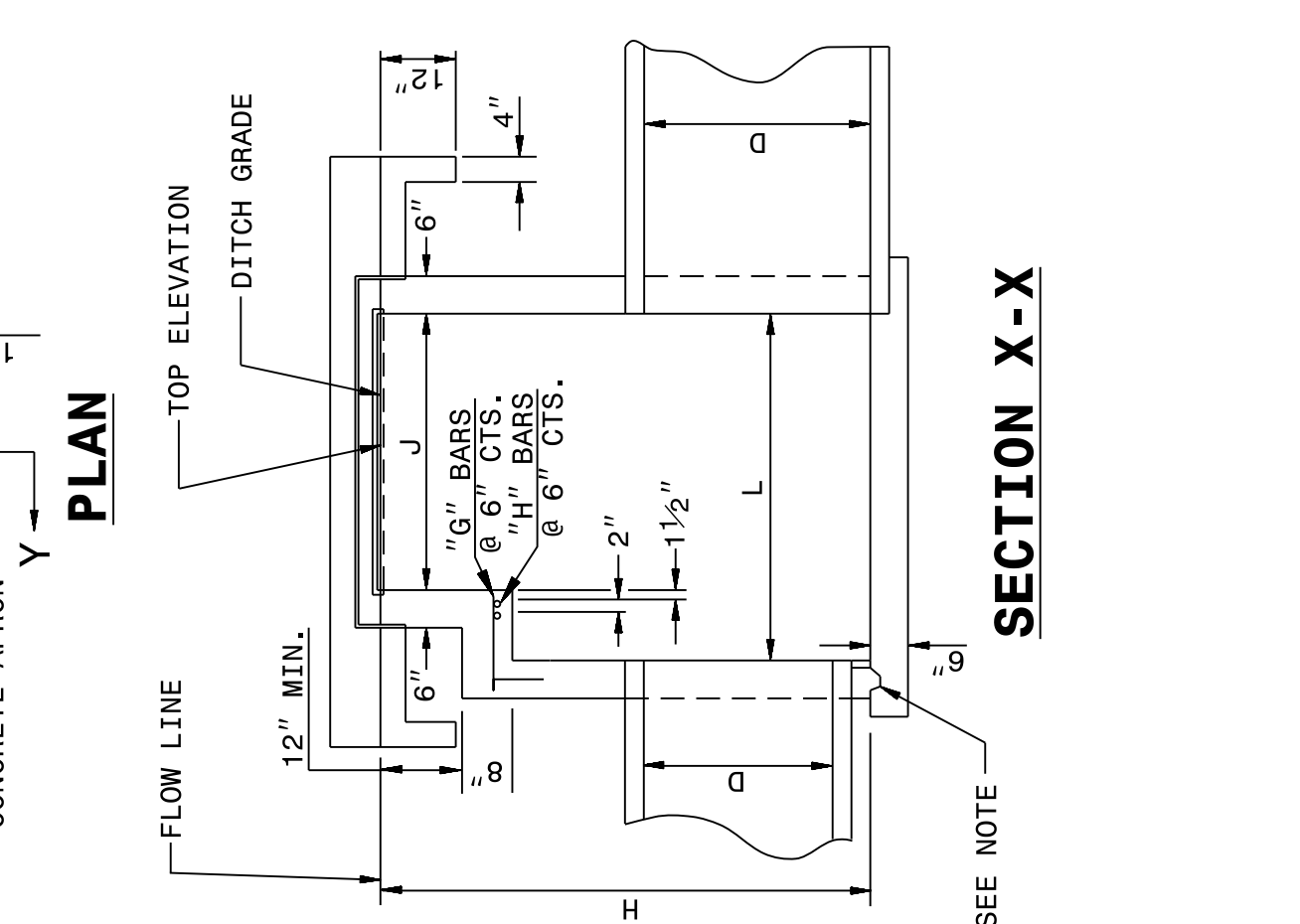
STATE OF NORTH CAROLINA DEPT. OF TRANSPORTATION DIVISION OF HIGHWAYS RALEIGH, N.C.

ENGLISH DETAIL DRAWING FOR CONCRETE GRATED DROP INLET TYPE 'A' MINIMUM DEPTH 12" THRU 72" PIPE

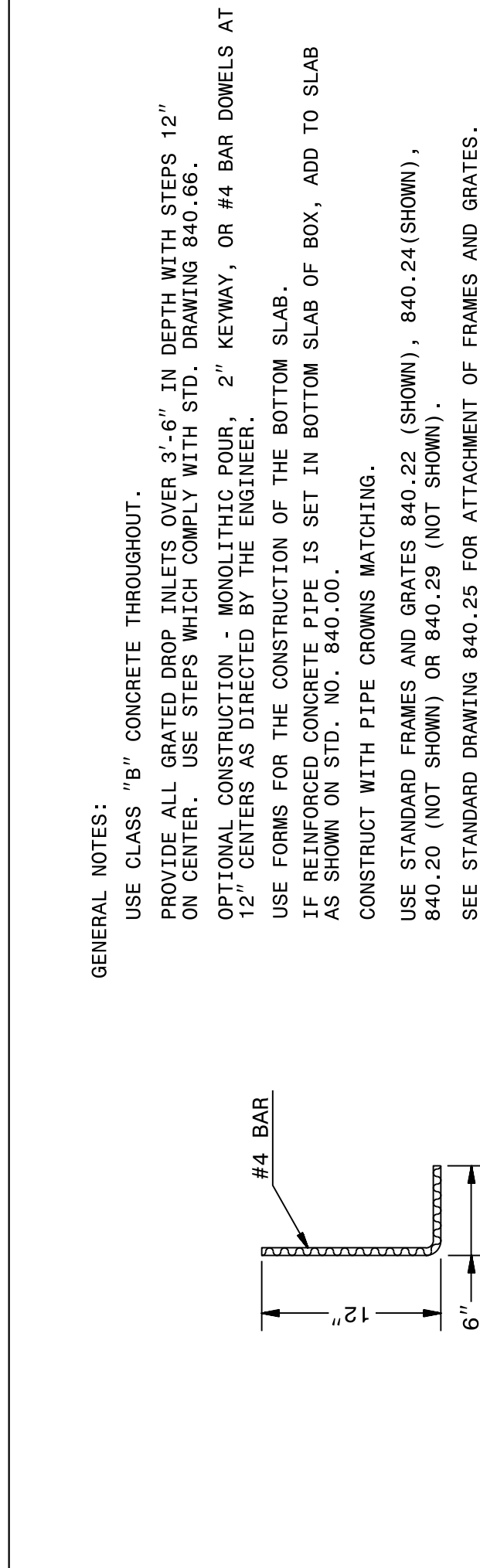
SHEET 2 OF 2 840d17



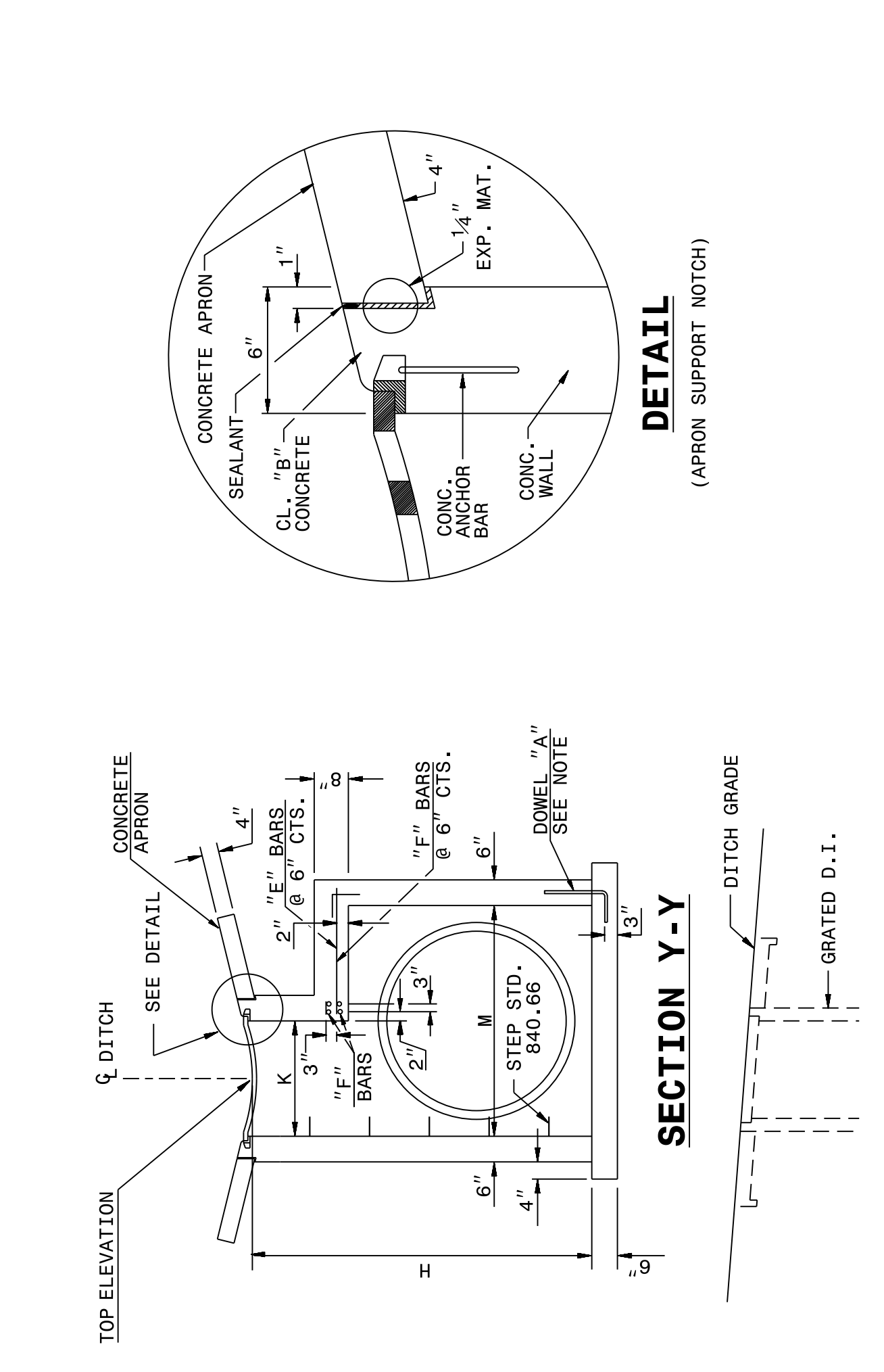
**SECTION V-V**  
 DOWEL B<sup>1</sup>, B<sup>2</sup> OR B<sup>3</sup>



**PART SECTION U-U**  
 PERMISSIBLE CONSTRUCTION JOINT



**SECTION V-V**  
 DOWEL B<sup>1</sup>, B<sup>2</sup> OR B<sup>3</sup>

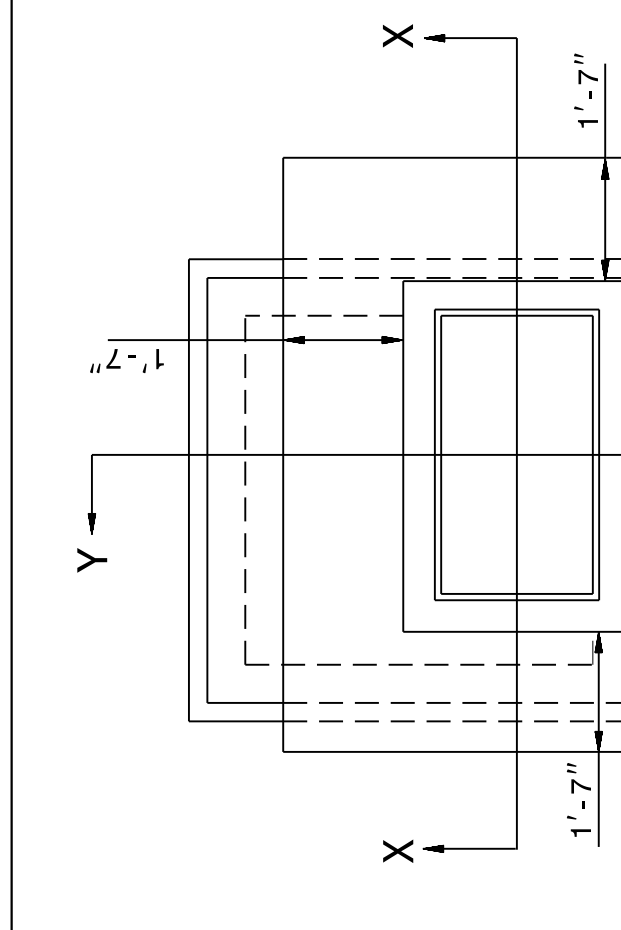


**PART SECTION U-U**  
 PERMISSIBLE CONSTRUCTION JOINT

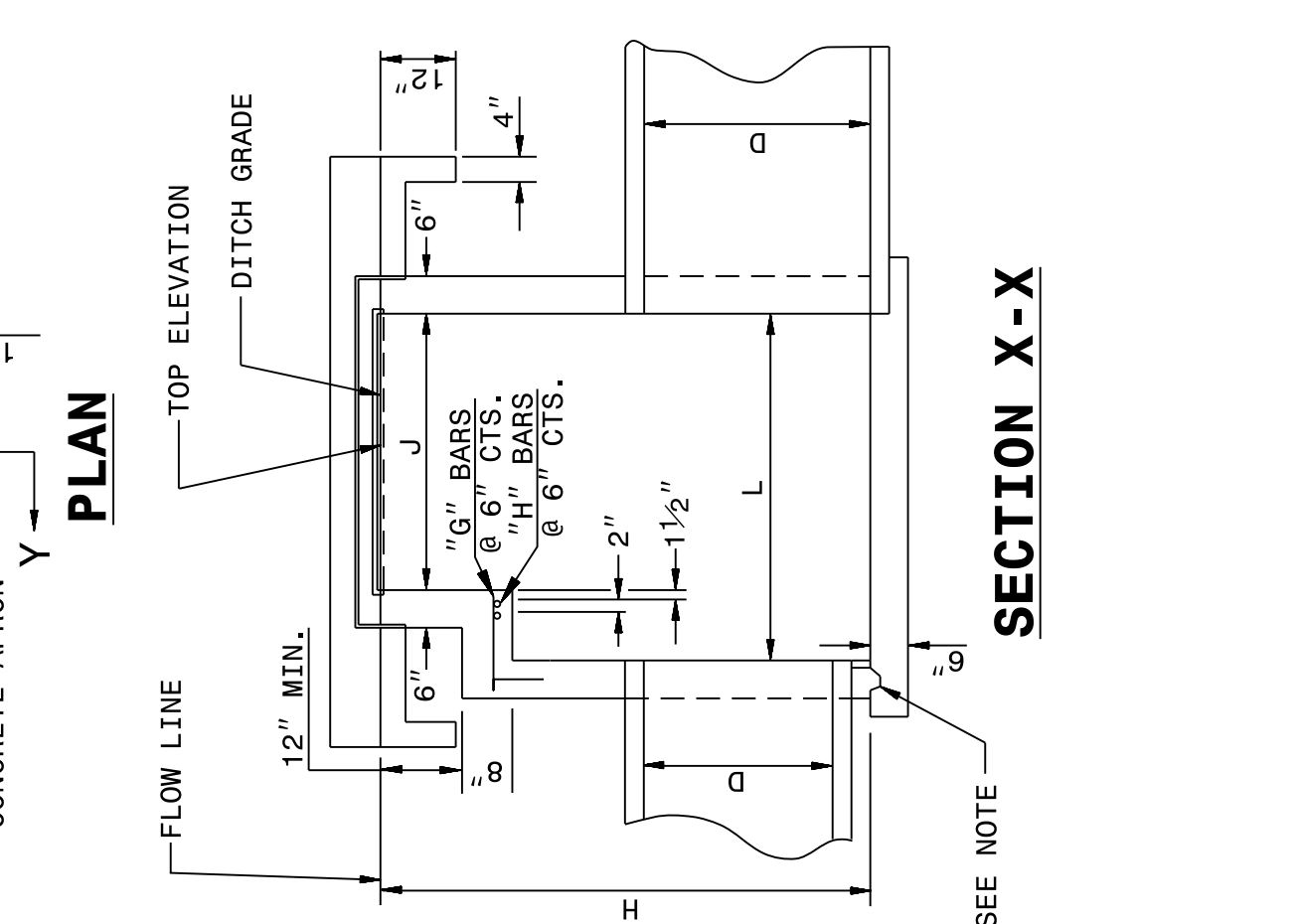
STATE OF NORTH CAROLINA DEPT. OF TRANSPORTATION DIVISION OF HIGHWAYS RALEIGH, N.C.

ENGLISH DETAIL DRAWING FOR CONCRETE GRATED DROP INLET TYPE 'A' MINIMUM DEPTH 12" THRU 72" PIPE

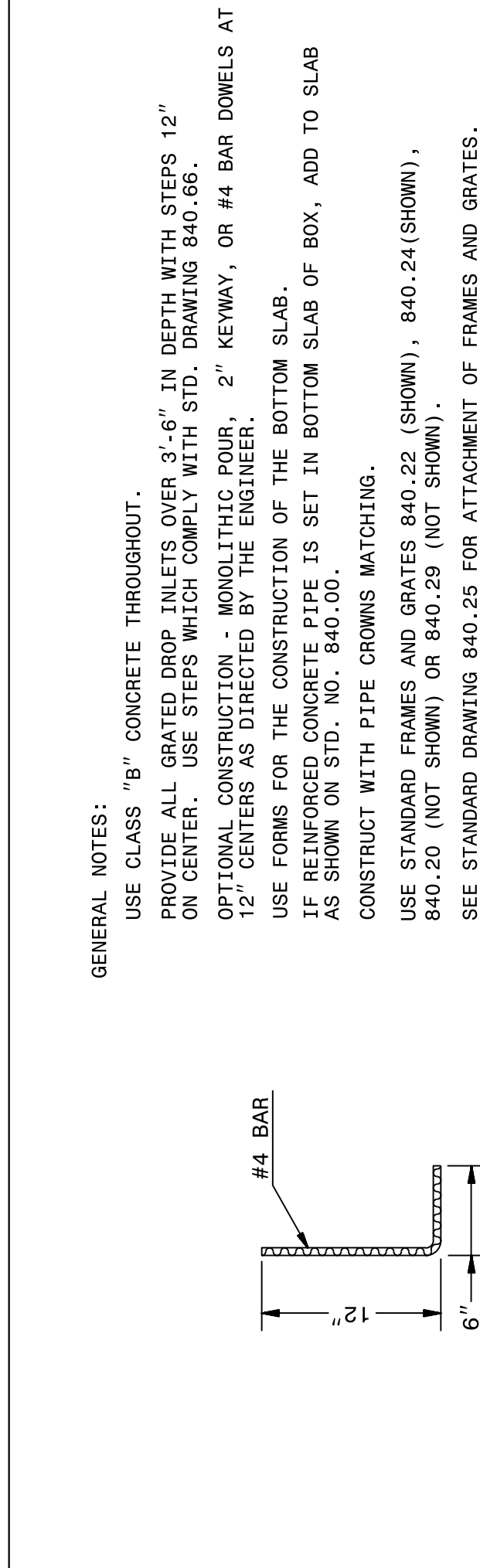
SHEET 2 OF 2 840d17



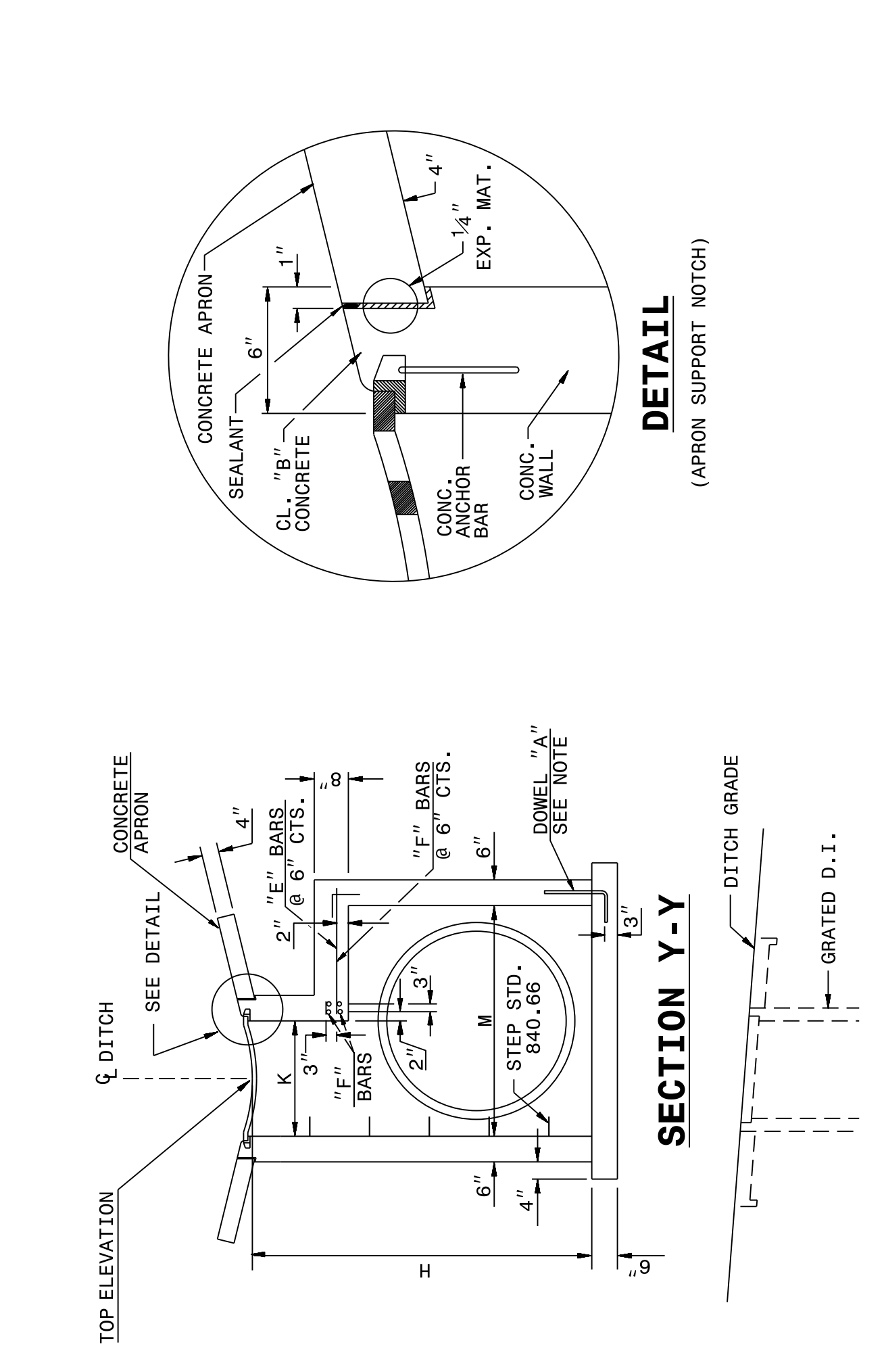
**SECTION V-V**  
 DOWEL B<sup>1</sup>, B<sup>2</sup> OR B<sup>3</sup>



**PART SECTION U-U**  
 PERMISSIBLE CONSTRUCTION JOINT



**SECTION V-V**  
 DOWEL B<sup>1</sup>, B<sup>2</sup> OR B<sup>3</sup>

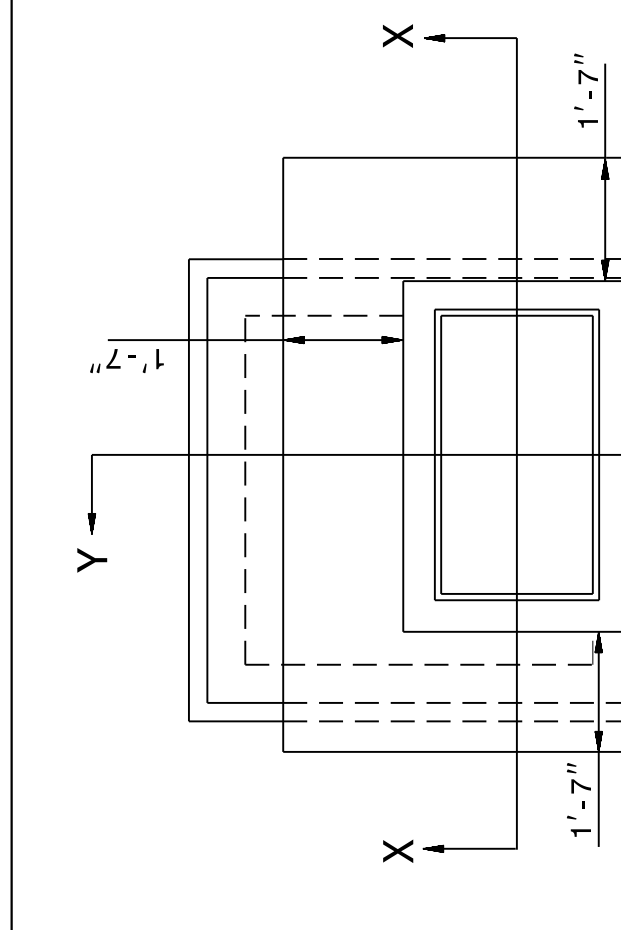


**PART SECTION U-U**  
 PERMISSIBLE CONSTRUCTION JOINT

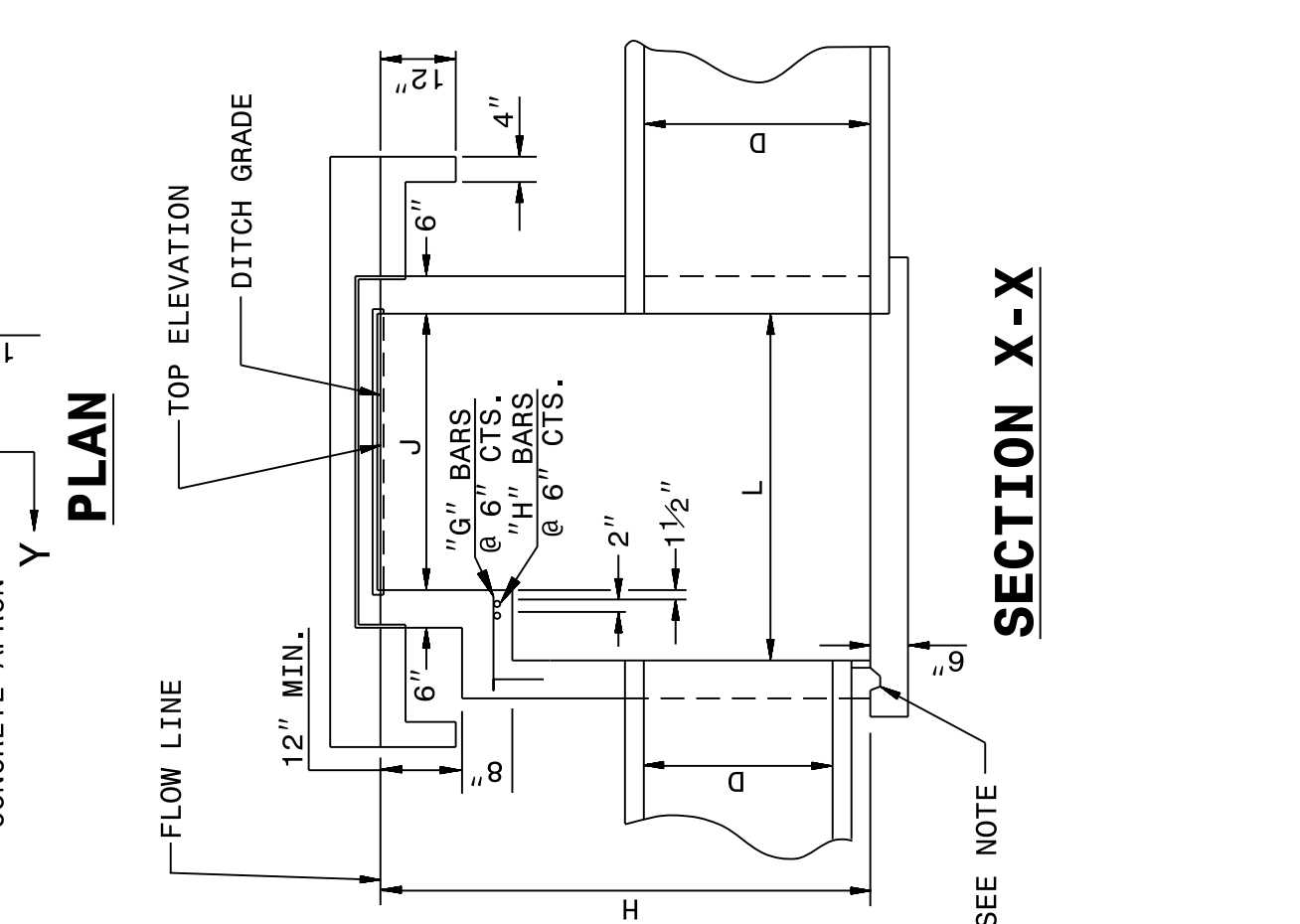
STATE OF NORTH CAROLINA DEPT. OF TRANSPORTATION DIVISION OF HIGHWAYS RALEIGH, N.C.

ENGLISH DETAIL DRAWING FOR CONCRETE GRATED DROP INLET TYPE 'A' MINIMUM DEPTH 12" THRU 72" PIPE

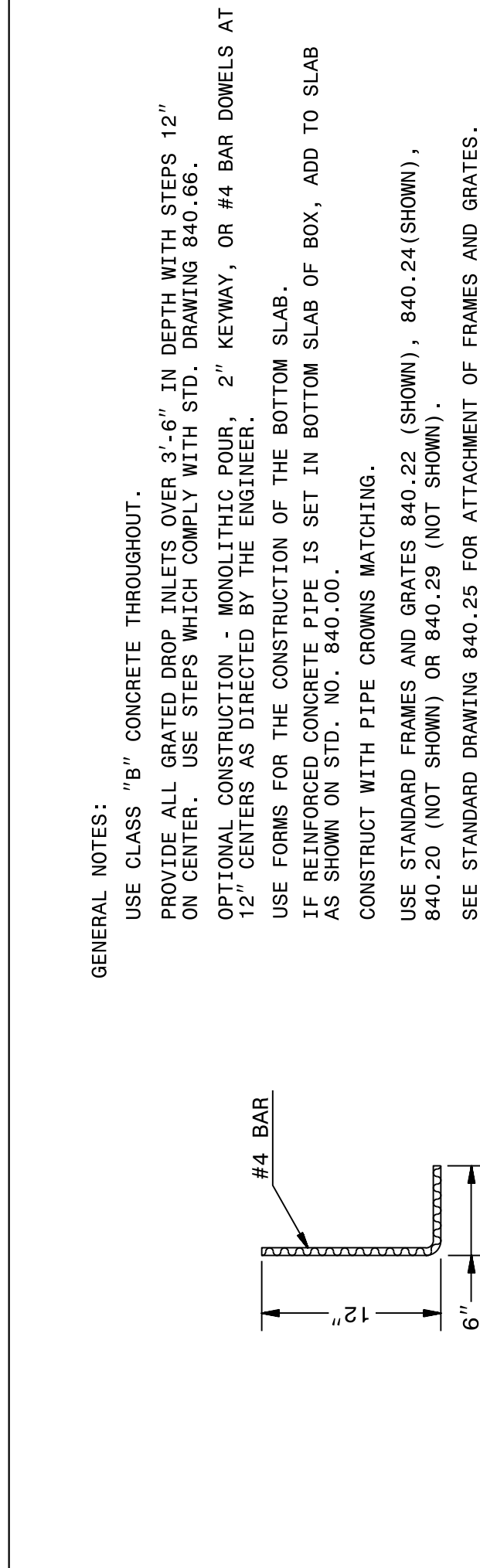
SHEET 2 OF 2 840d17



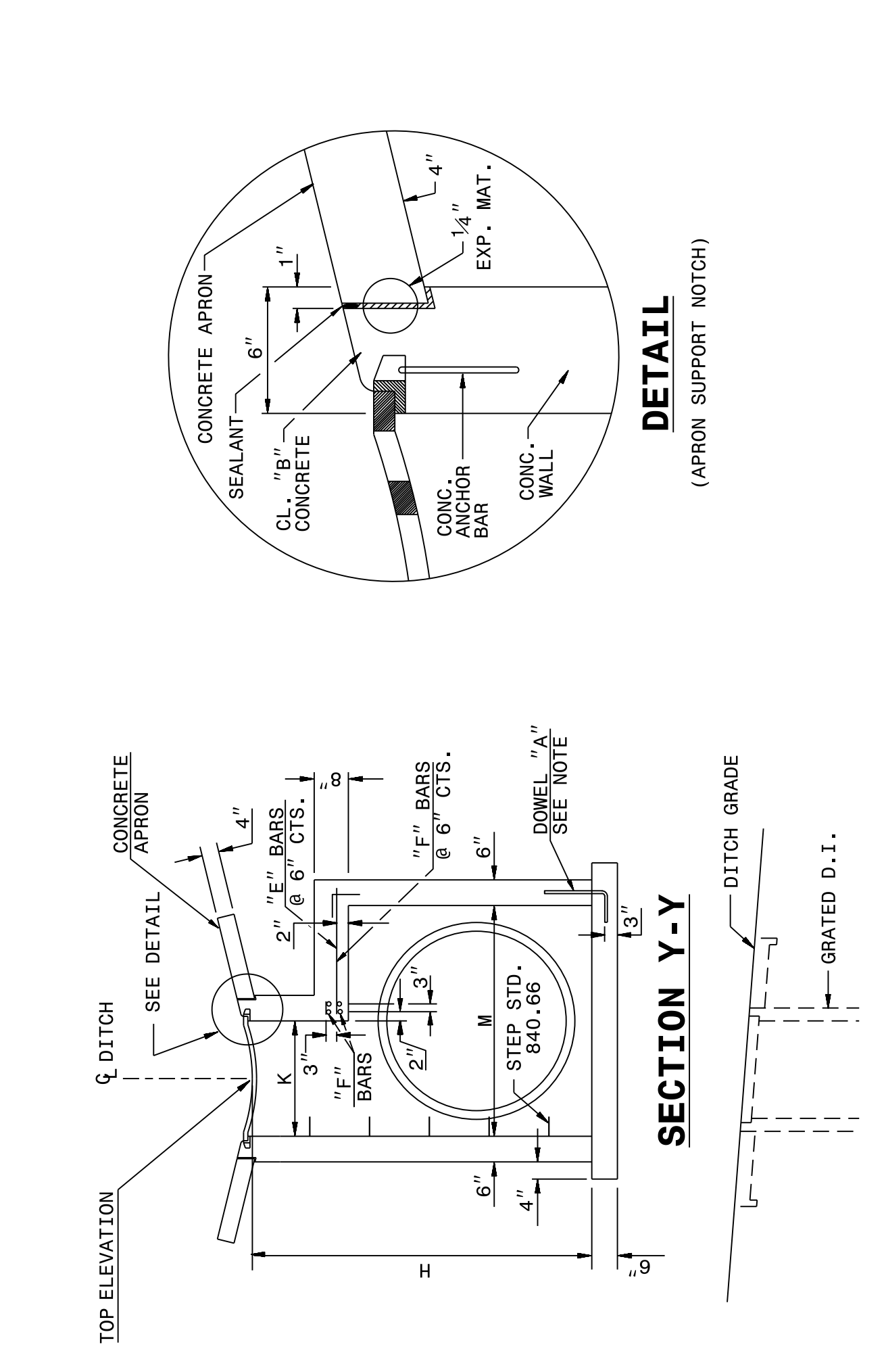
**SECTION V-V**  
 DOWEL B<sup>1</sup>, B<sup>2</sup> OR B<sup>3</sup>



**PART SECTION U-U**  
 PERMISSIBLE CONSTRUCTION JOINT



**SECTION V-V**  
 DOWEL B<sup>1</sup>, B<sup>2</sup> OR B<sup>3</sup>

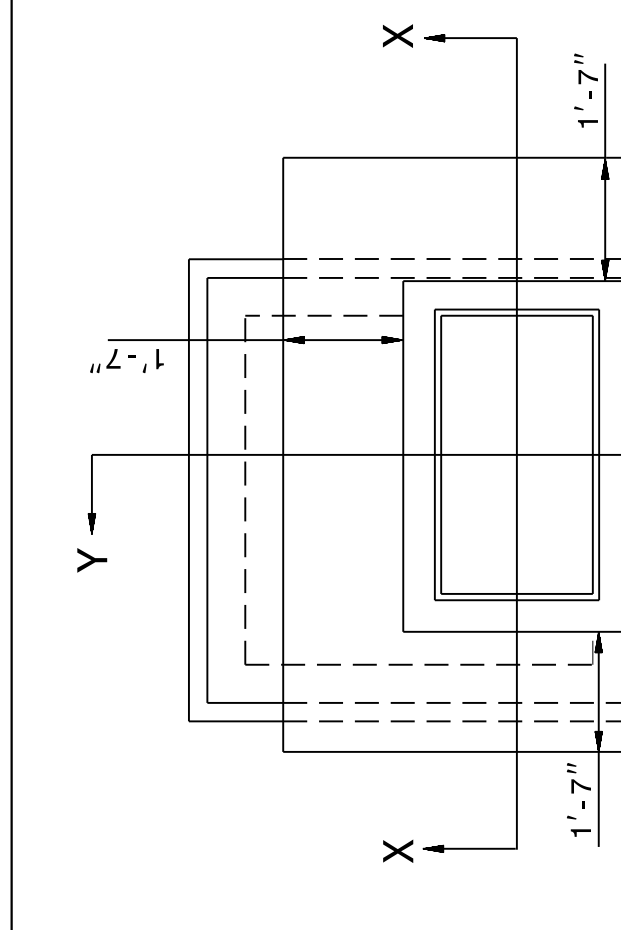


**PART SECTION U-U**  
 PERMISSIBLE CONSTRUCTION JOINT

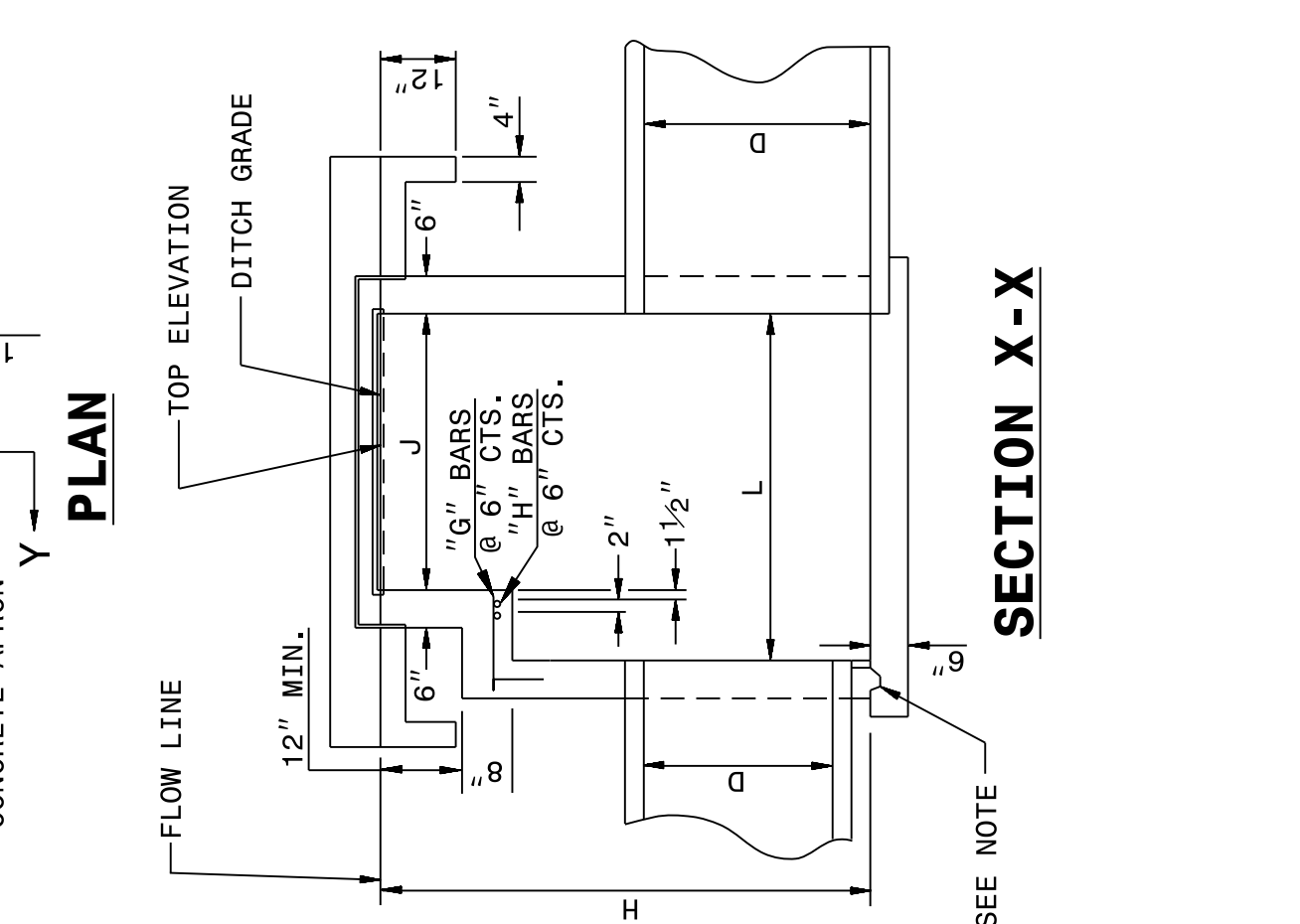
STATE OF NORTH CAROLINA DEPT. OF TRANSPORTATION DIVISION OF HIGHWAYS RALEIGH, N.C.

ENGLISH DETAIL DRAWING FOR CONCRETE GRATED DROP INLET TYPE 'A' MINIMUM DEPTH 12" THRU 72" PIPE

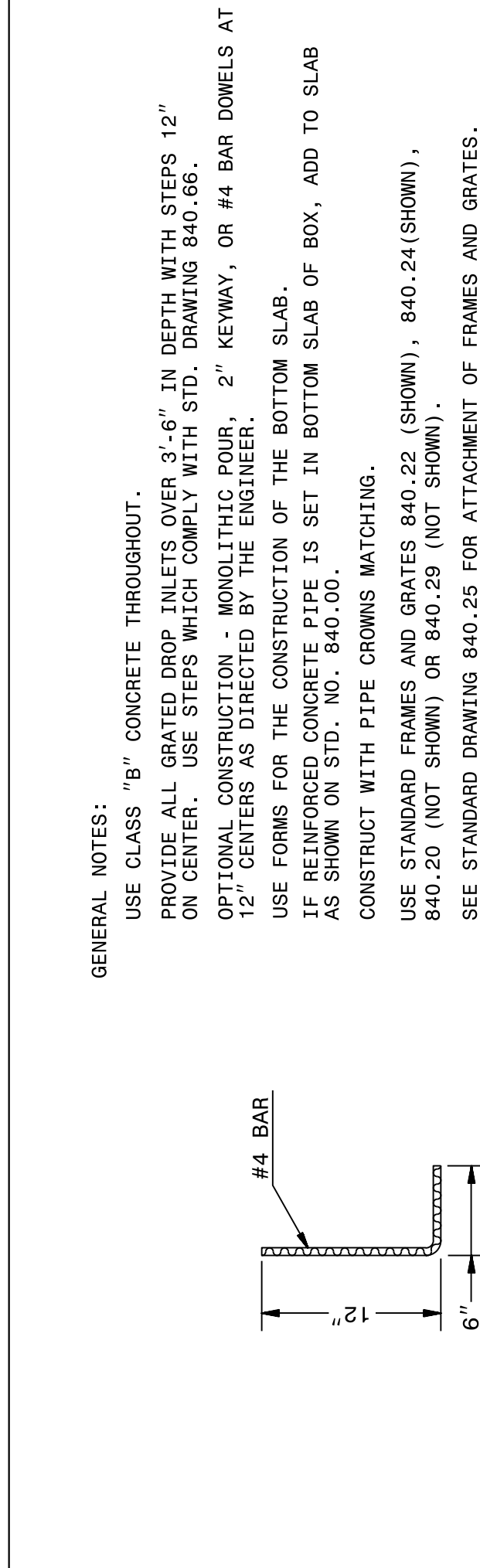
SHEET 2 OF 2 840d17



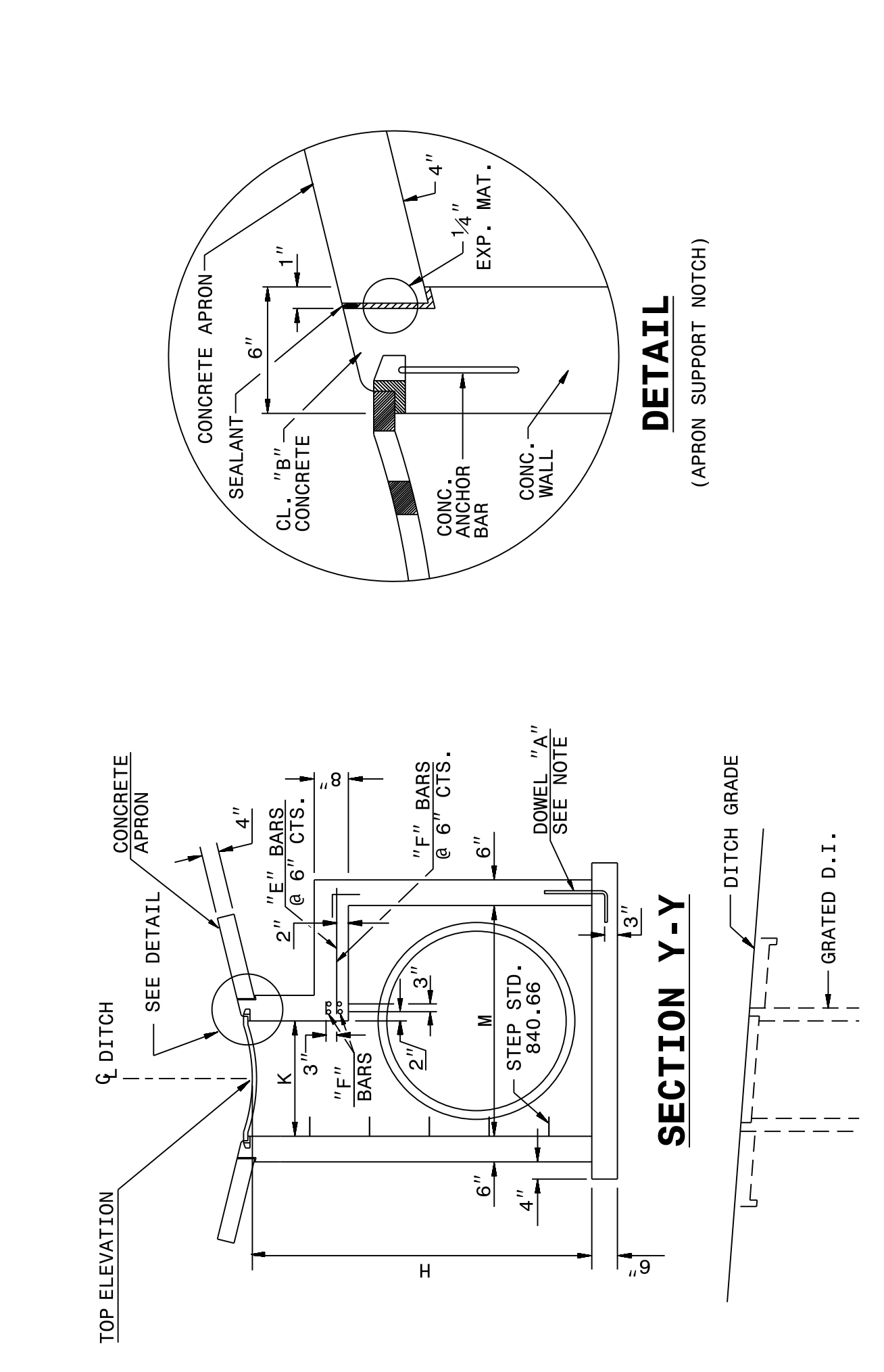
**SECTION V-V**  
 DOWEL B<sup>1</sup>, B<sup>2</sup> OR B<sup>3</sup>



**PART SECTION U-U**  
 PERMISSIBLE CONSTRUCTION JOINT



**SECTION V-V**  
 DOWEL B<sup>1</sup>, B<sup>2</sup> OR B<sup>3</sup>

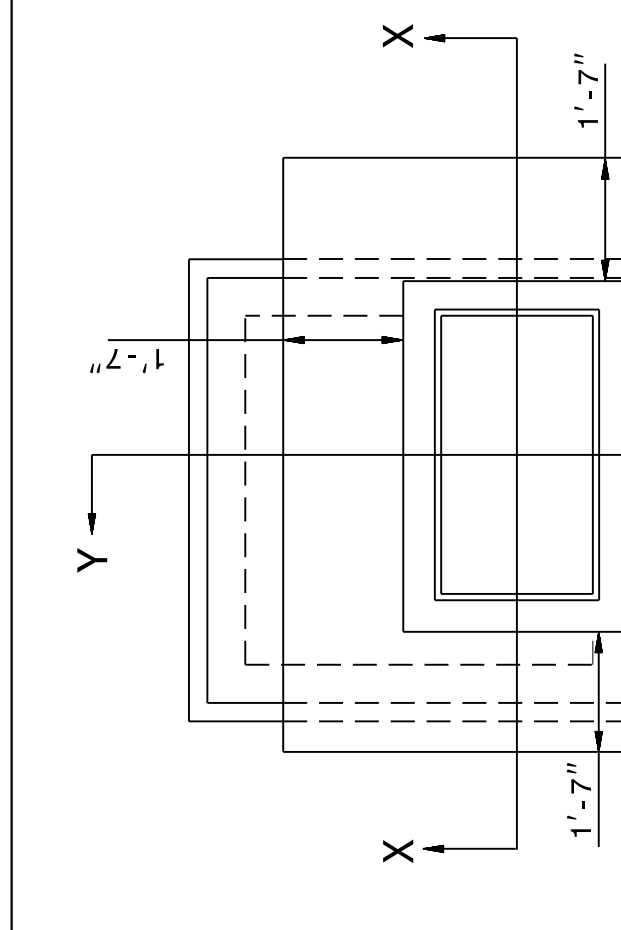


**PART SECTION U-U**  
 PERMISSIBLE CONSTRUCTION JOINT

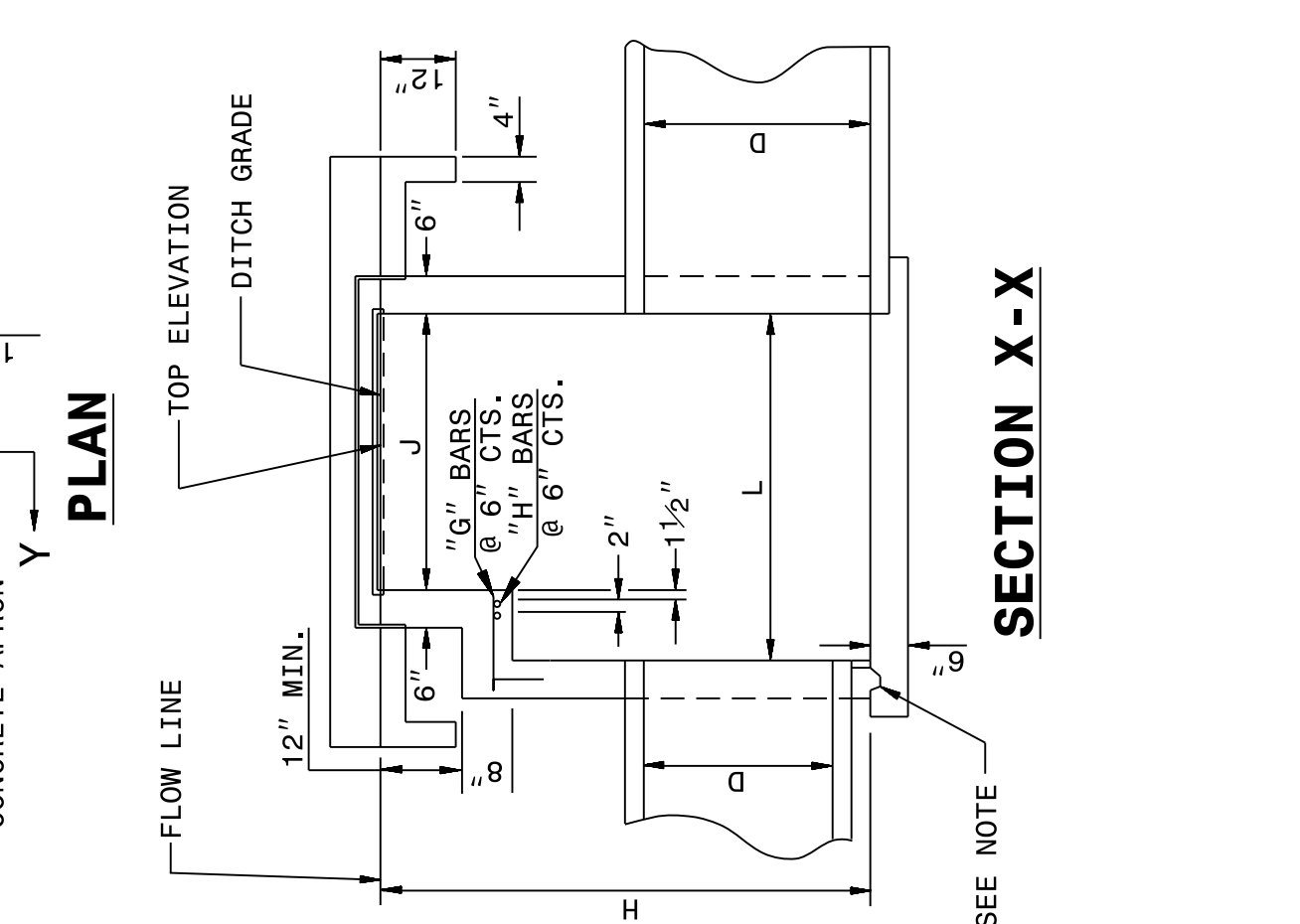
STATE OF NORTH CAROLINA DEPT. OF TRANSPORTATION DIVISION OF HIGHWAYS RALEIGH, N.C.

ENGLISH DETAIL DRAWING FOR CONCRETE GRATED DROP INLET TYPE 'A' MINIMUM DEPTH 12" THRU 72" PIPE

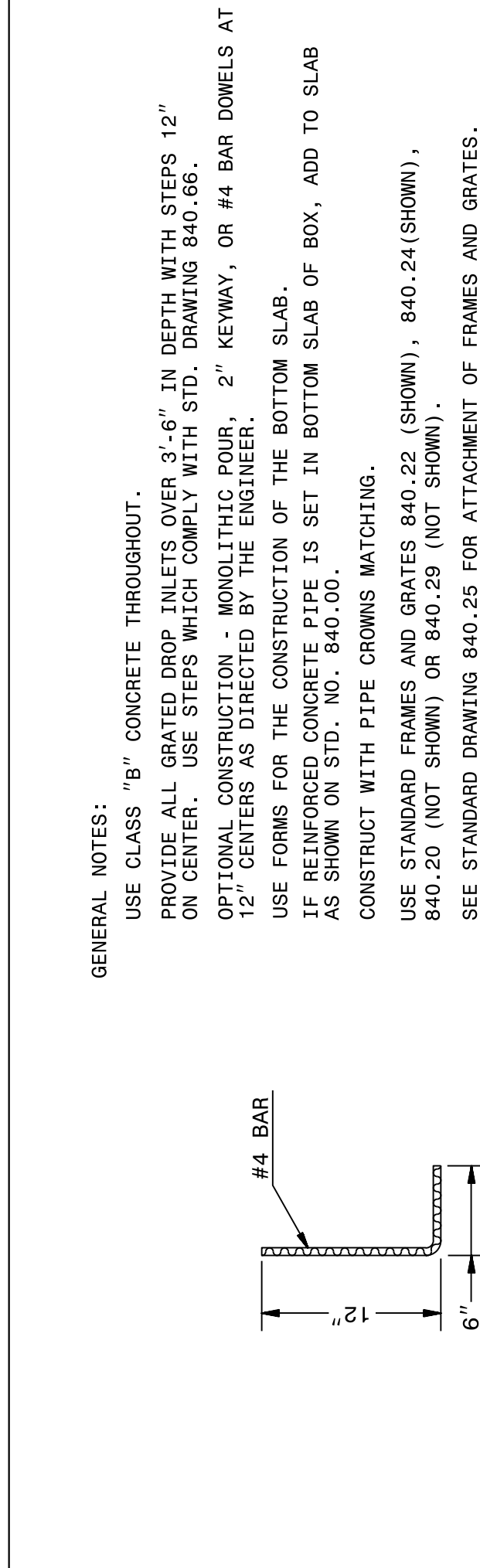
SHEET 2 OF 2 840d17



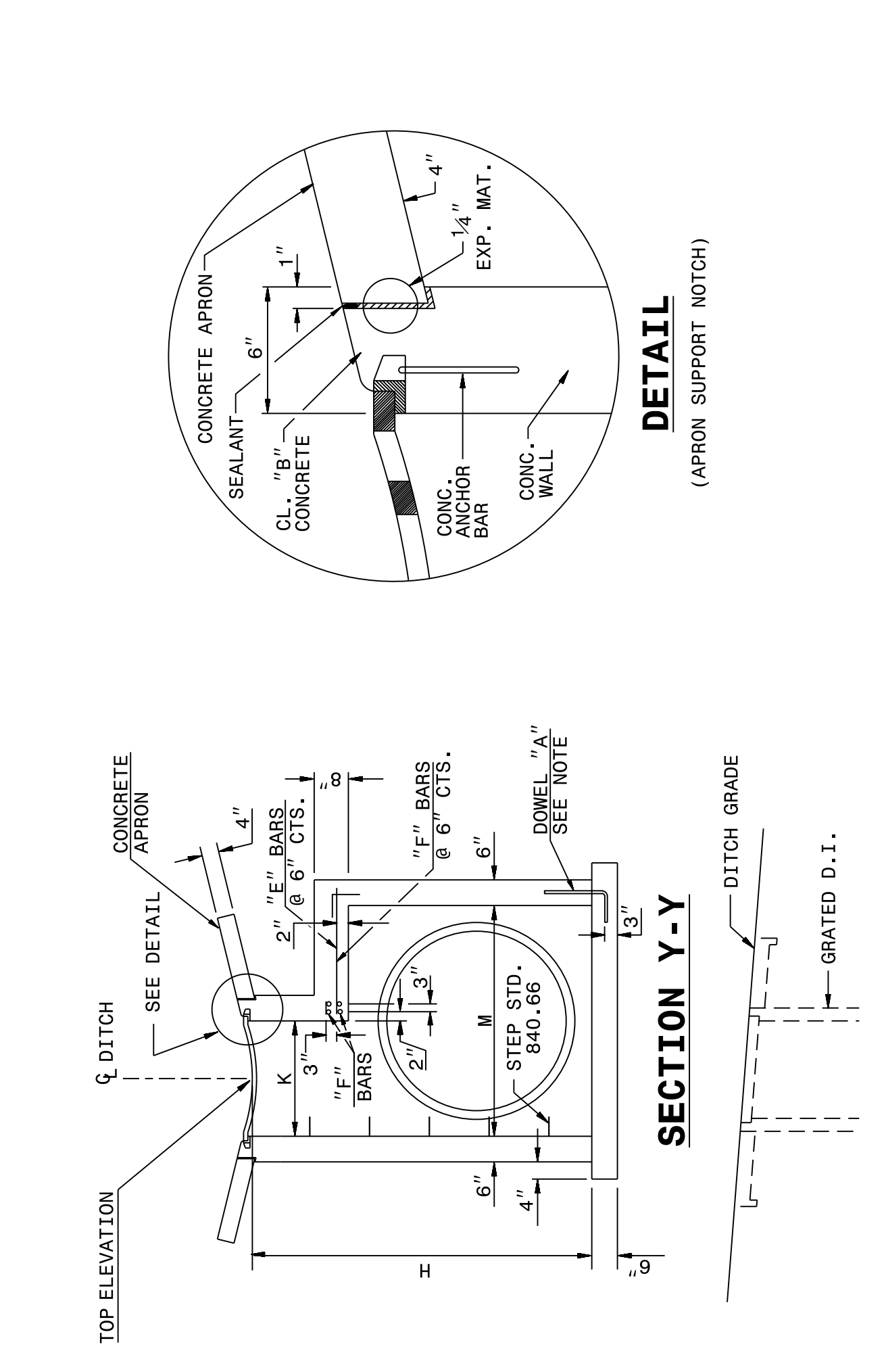
**SECTION V-V**  
 DOWEL B<sup>1</sup>, B<sup>2</sup> OR B<sup>3</sup>



**PART SECTION U-U**  
 PERMISSIBLE CONSTRUCTION JOINT



**SECTION V-V**  
 DOWEL B<sup>1</sup>, B<sup>2</sup> OR B<sup>3</sup>

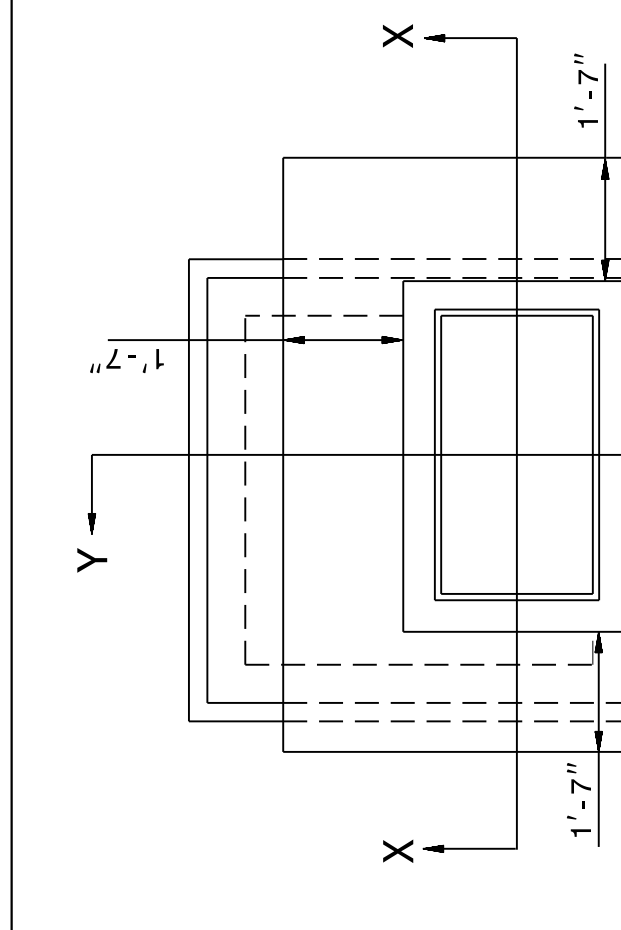


**PART SECTION U-U**  
 PERMISSIBLE CONSTRUCTION JOINT

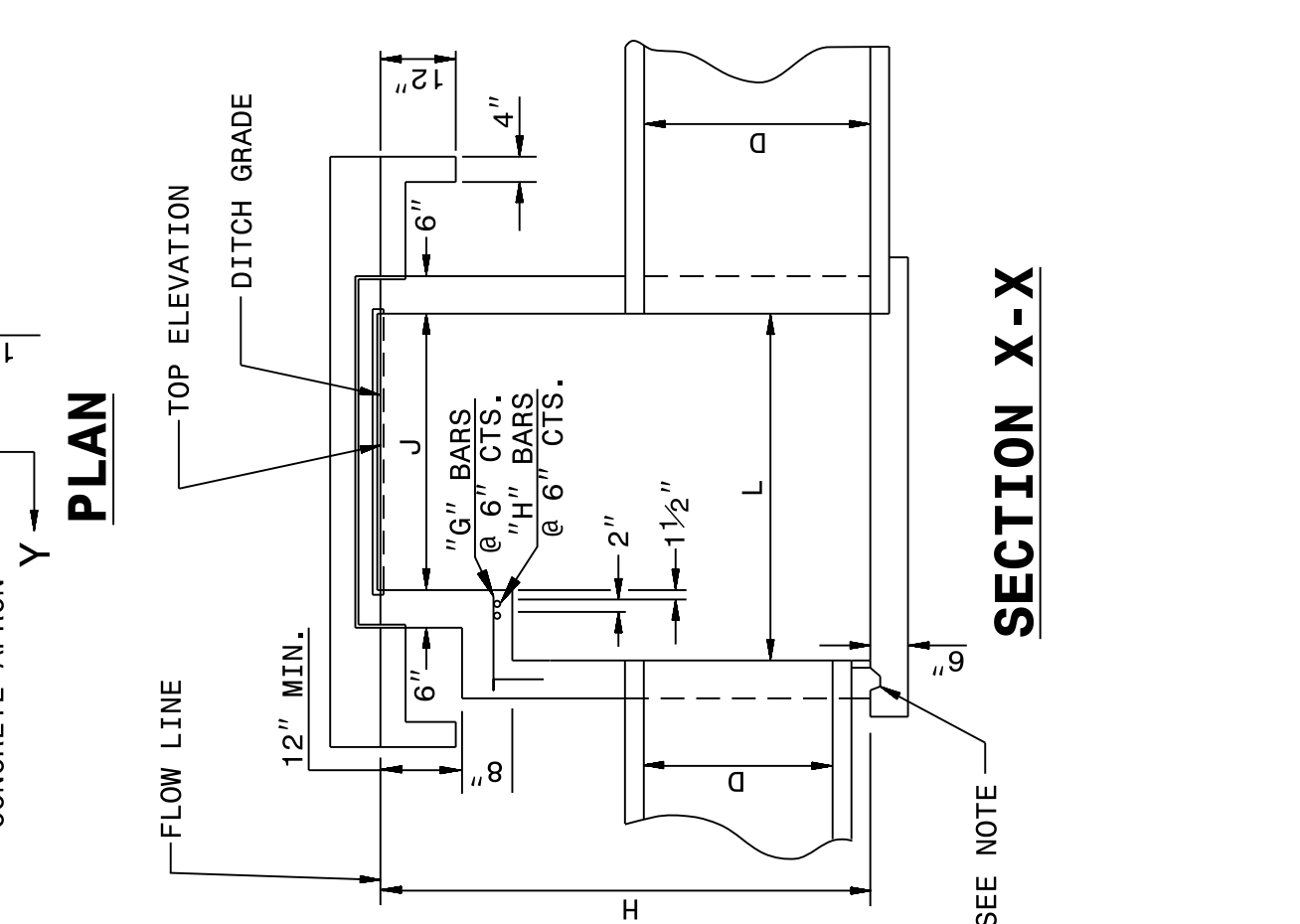
STATE OF NORTH CAROLINA DEPT. OF TRANSPORTATION DIVISION OF HIGHWAYS RALEIGH, N.C.

ENGLISH DETAIL DRAWING FOR CONCRETE GRATED DROP INLET TYPE 'A' MINIMUM DEPTH 12" THRU 72" PIPE

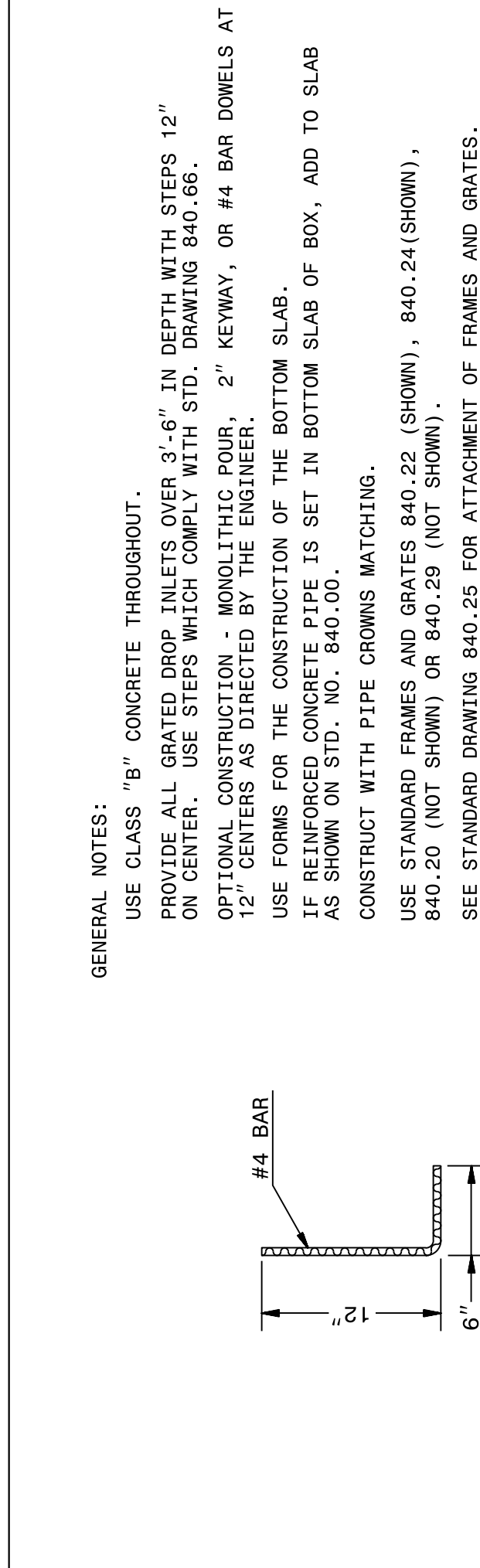
SHEET 2 OF 2 840d17



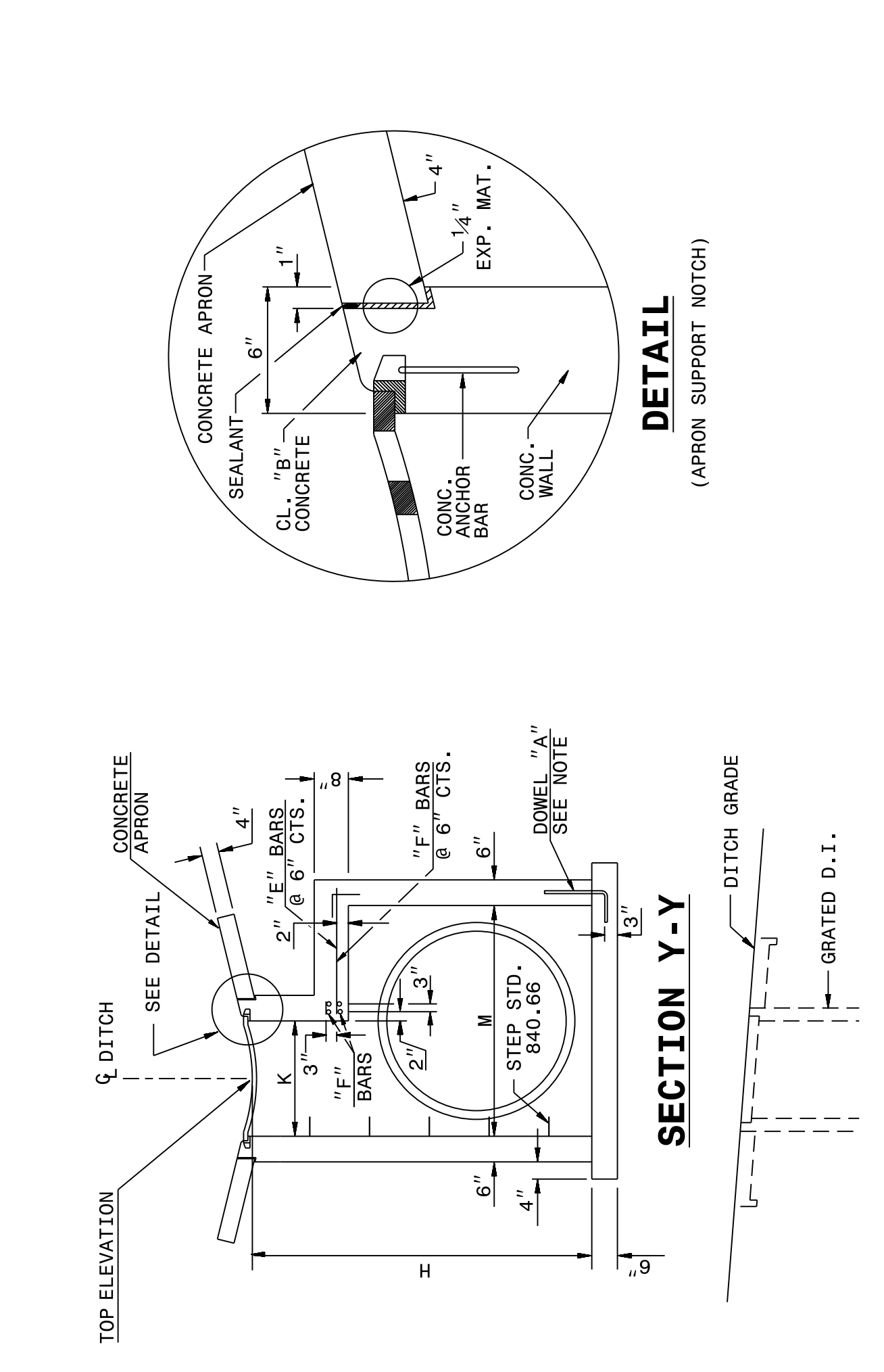
**SECTION V-V**  
 DOWEL B<sup>1</sup>, B<sup>2</sup> OR B<sup>3</sup>



**PART SECTION U-U**  
 PERMISSIBLE CONSTRUCTION JOINT



**SECTION V-V**  
 DOWEL B<sup>1</sup>, B<sup>2</sup> OR B<sup>3</sup>

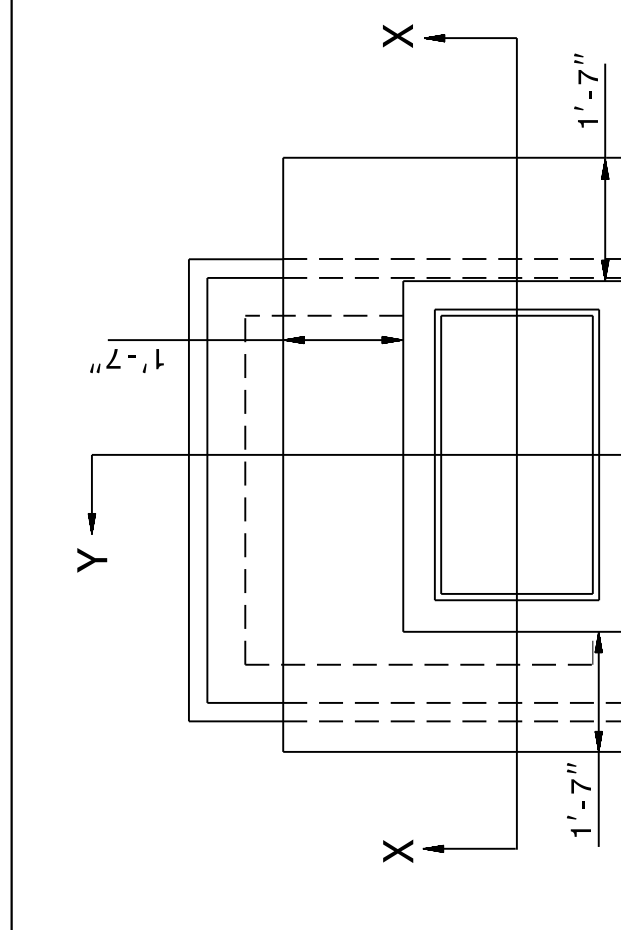


**PART SECTION U-U**  
 PERMISSIBLE CONSTRUCTION JOINT

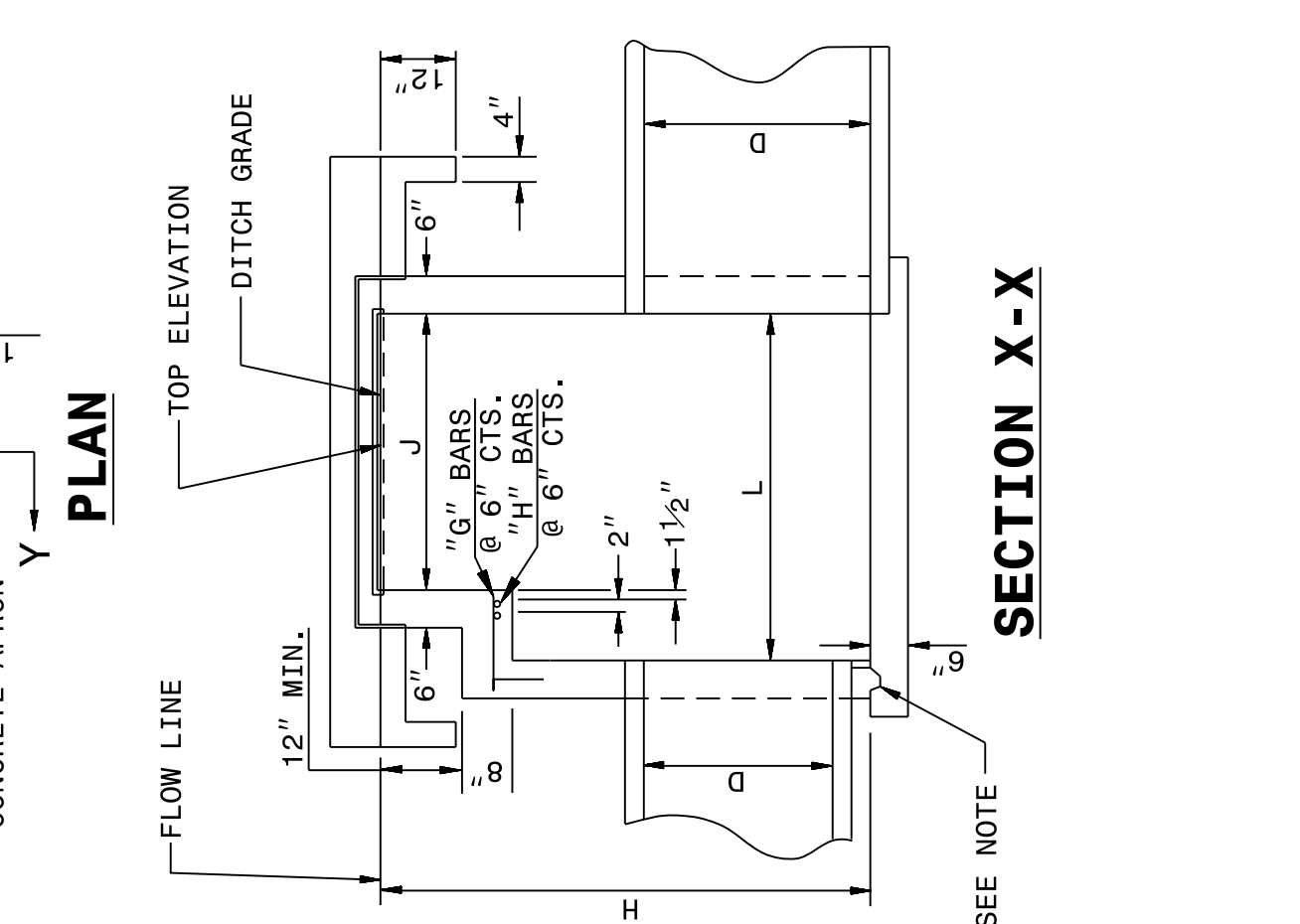
STATE OF NORTH CAROLINA DEPT. OF TRANSPORTATION DIVISION OF HIGHWAYS RALEIGH, N.C.

ENGLISH DETAIL DRAWING FOR CONCRETE GRATED DROP INLET TYPE 'A' MINIMUM DEPTH 12" THRU 72" PIPE

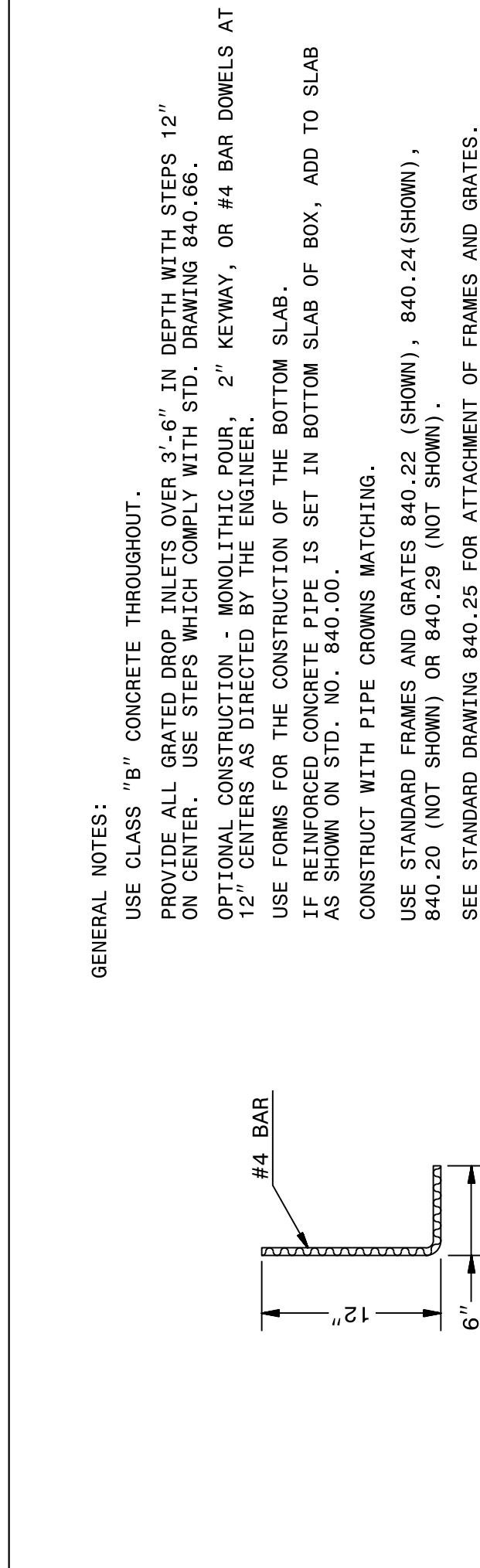
SHEET 2 OF 2 840d17



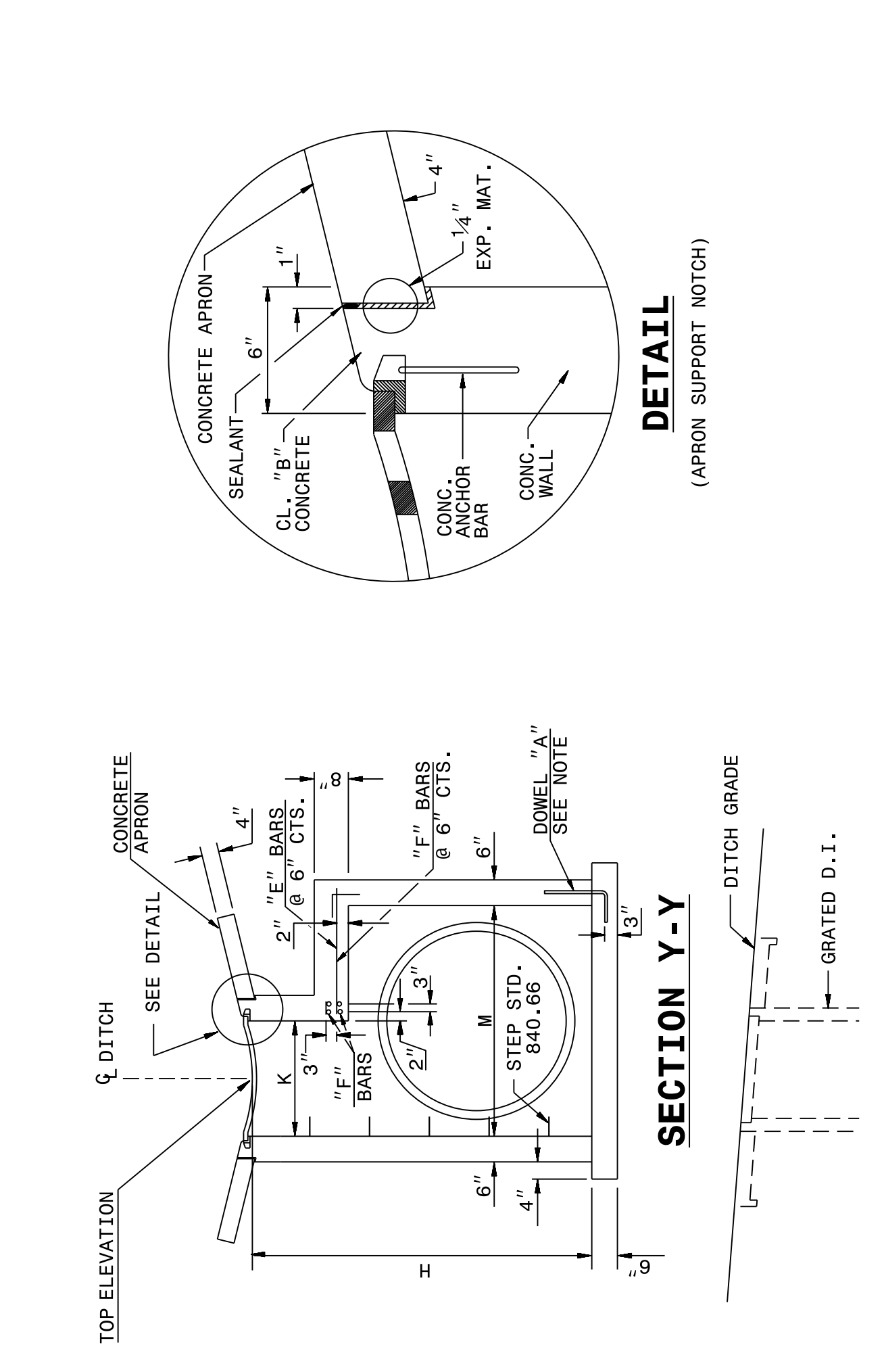
**SECTION V-V**  
 DOWEL B<sup>1</sup>, B<sup>2</sup> OR B<sup>3</sup>



**PART SECTION U-U**  
 PERMISSIBLE CONSTRUCTION JOINT



**SECTION V-V**  
 DOWEL B<sup>1</sup>, B<sup>2</sup> OR B<sup>3</sup>

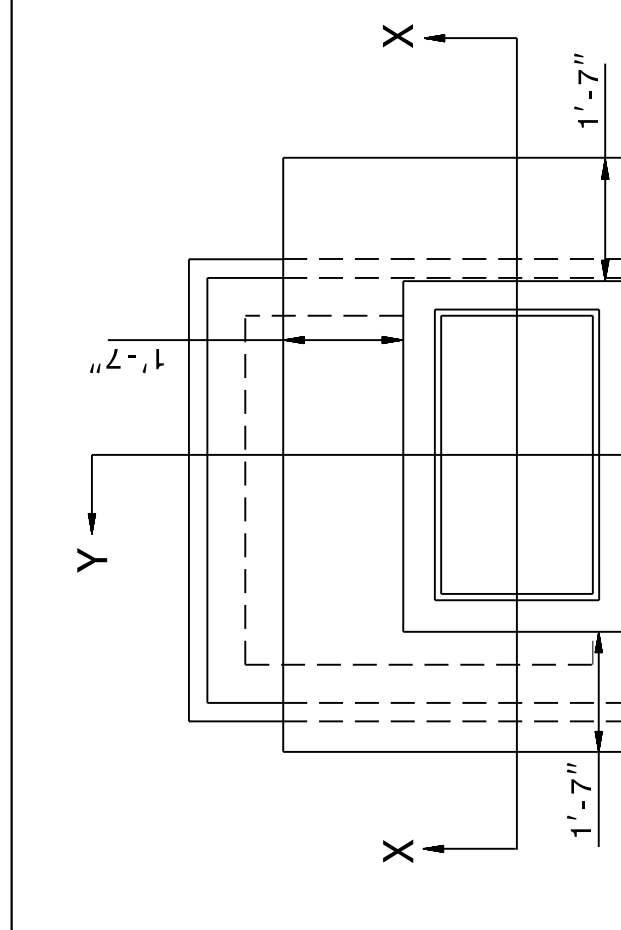


**PART SECTION U-U**  
 PERMISSIBLE CONSTRUCTION JOINT

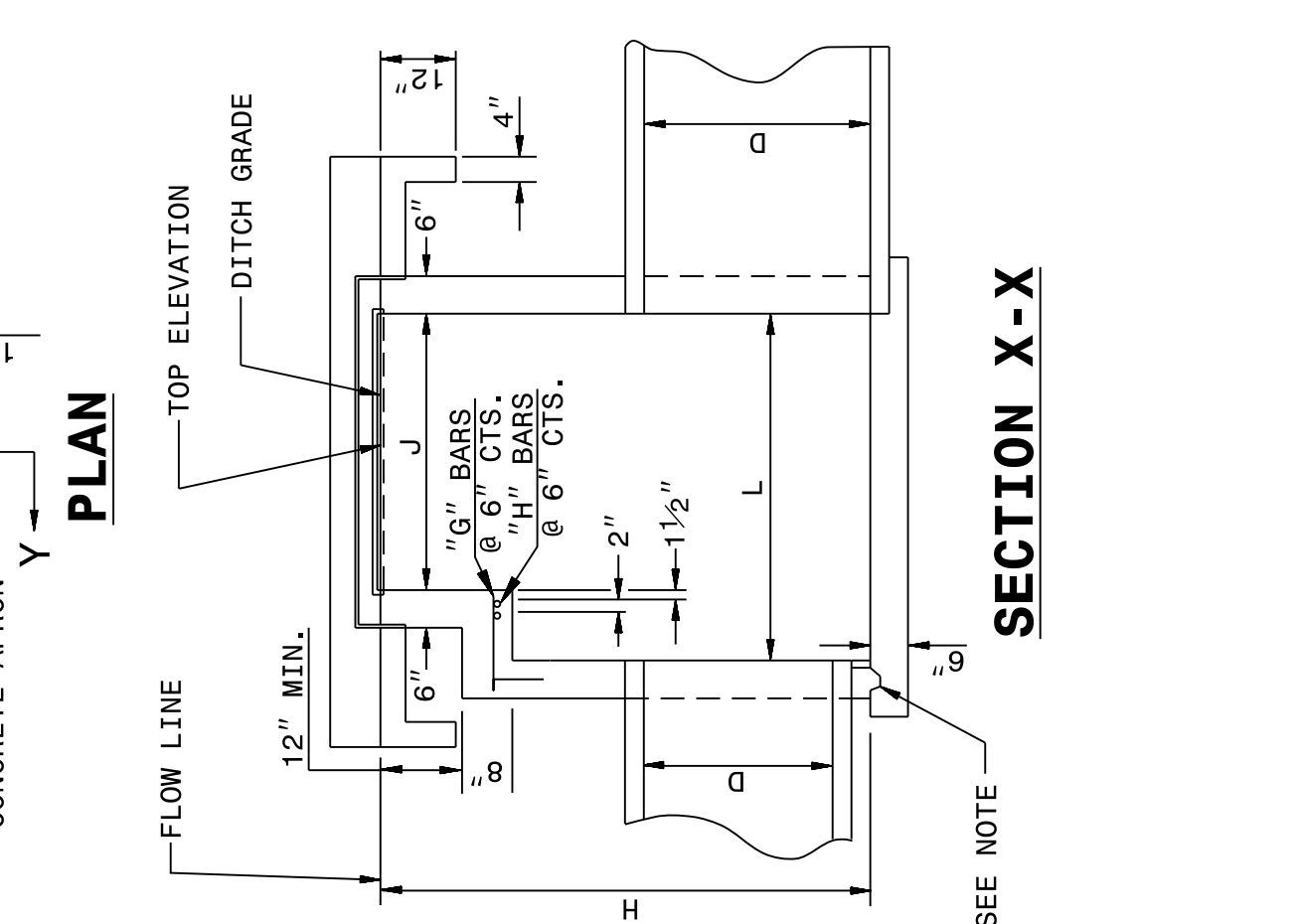
STATE OF NORTH CAROLINA DEPT. OF TRANSPORTATION DIVISION OF HIGHWAYS RALEIGH, N.C.

ENGLISH DETAIL DRAWING FOR CONCRETE GRATED DROP INLET TYPE 'A' MINIMUM DEPTH 12" THRU 72" PIPE

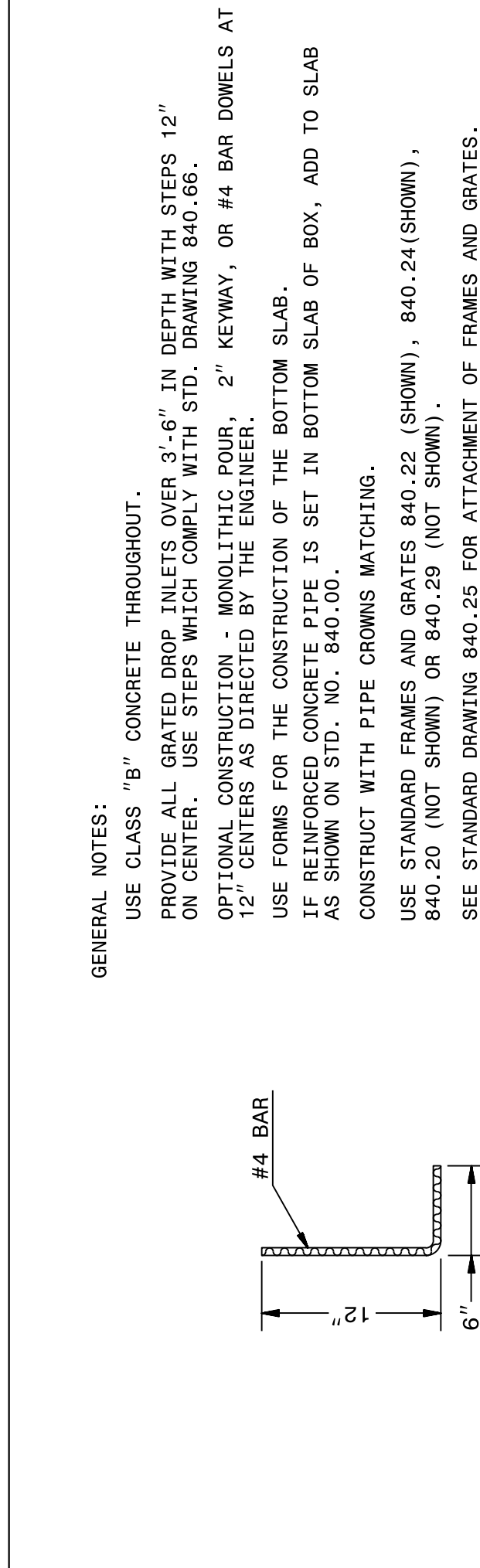
SHEET 2 OF 2 840d17



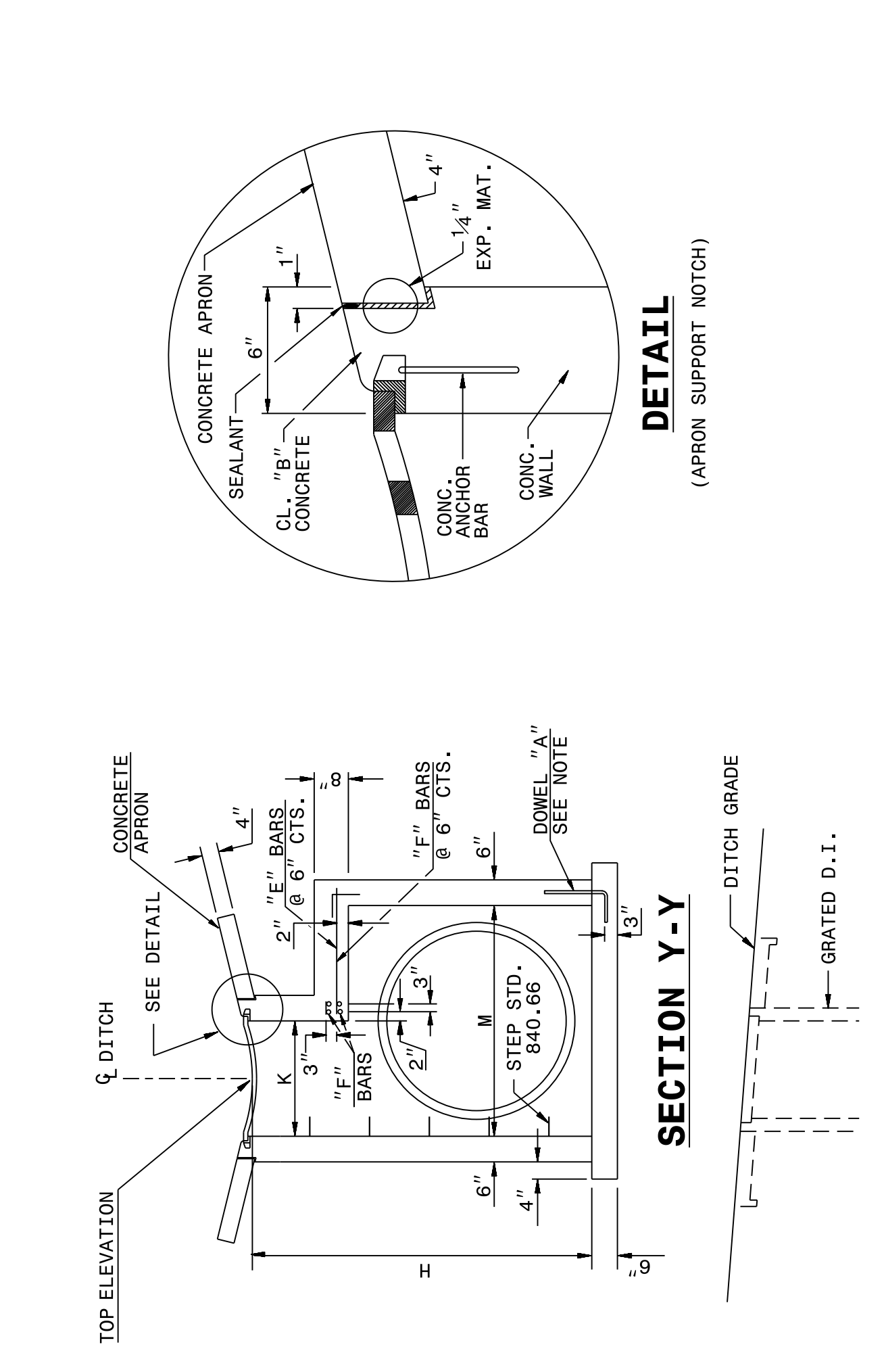
**SECTION V-V**  
 DOWEL B<sup>1</sup>, B<sup>2</sup> OR B<sup>3</sup>



**PART SECTION U-U**  
 PERMISSIBLE CONSTRUCTION JOINT



**SECTION V-V**  
 DOWEL B<sup>1</sup>, B<sup>2</sup> OR B<sup>3</sup>

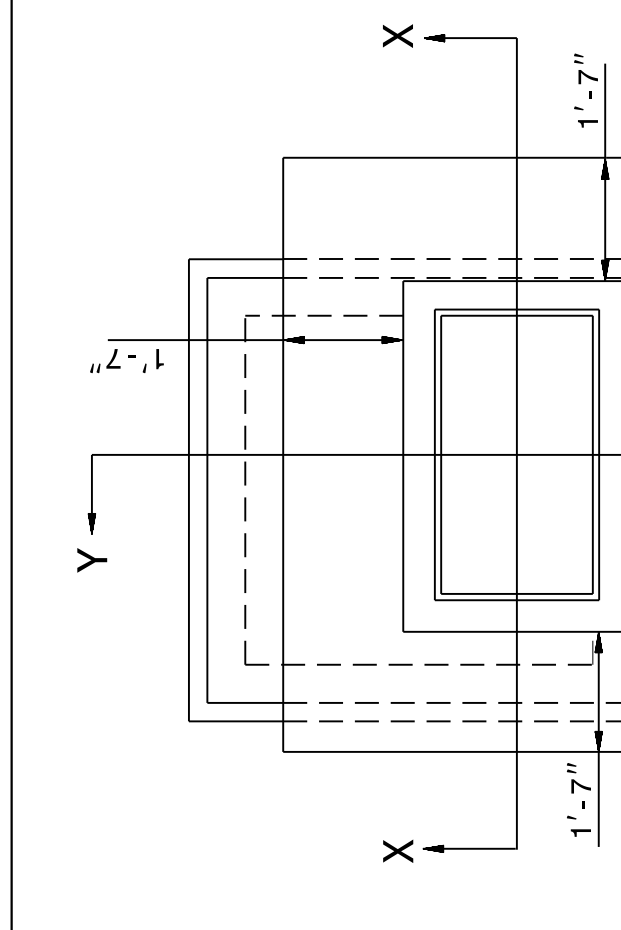


**PART SECTION U-U**  
 PERMISSIBLE CONSTRUCTION JOINT

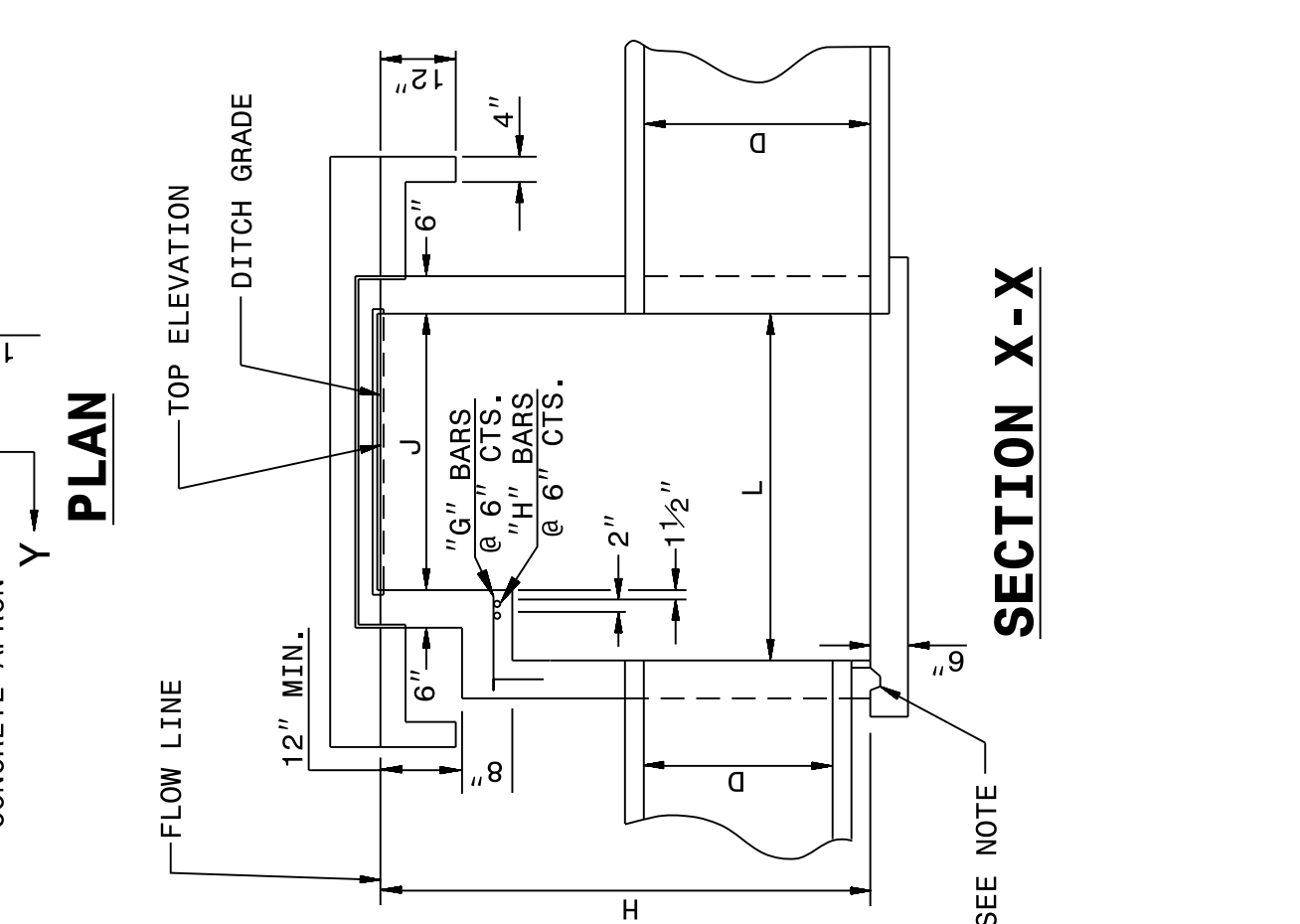
STATE OF NORTH CAROLINA DEPT. OF TRANSPORTATION DIVISION OF HIGHWAYS RALEIGH, N.C.

ENGLISH DETAIL DRAWING FOR CONCRETE GRATED DROP INLET TYPE 'A' MINIMUM DEPTH 12" THRU 72" PIPE

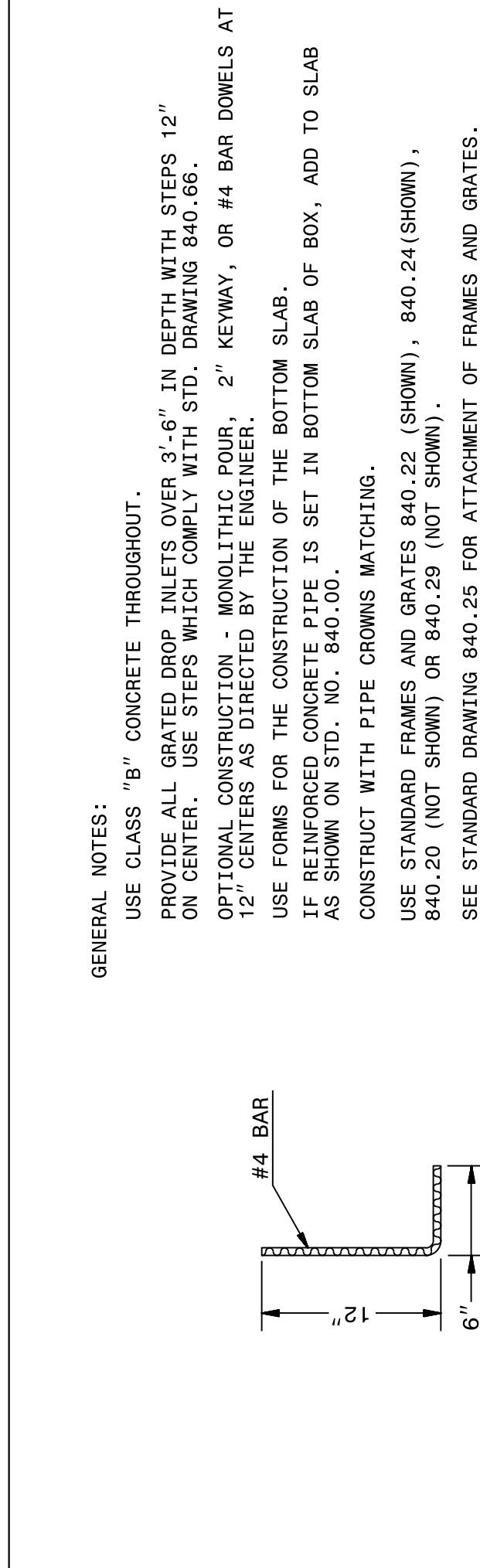
SHEET 2 OF 2 840d17



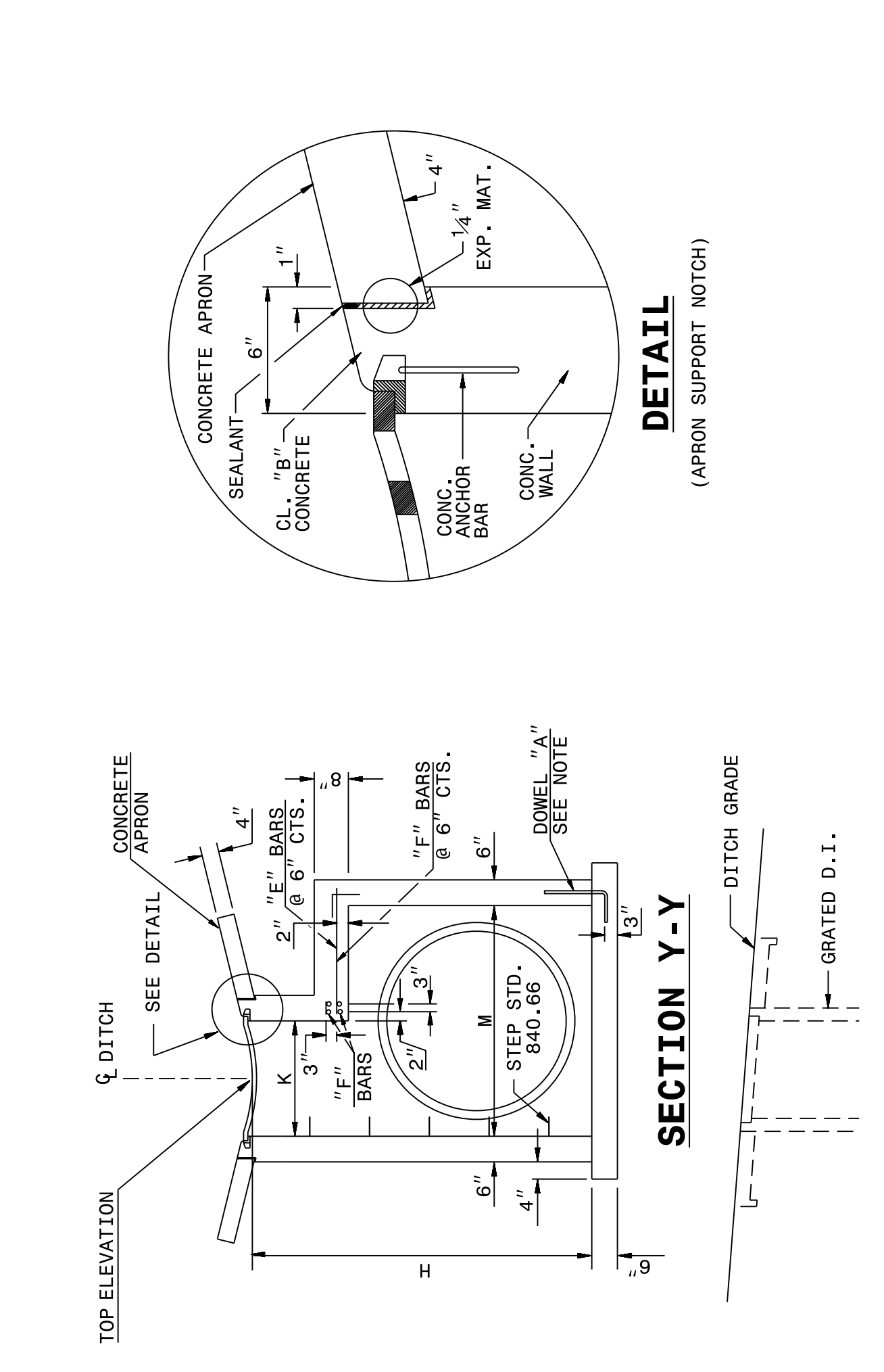
**SECTION V-V**  
 DOWEL B<sup>1</sup>, B<sup>2</sup> OR B<sup>3</sup>



**PART SECTION U-U**  
 PERMISSIBLE CONSTRUCTION JOINT



**SECTION V-V**  
 DOWEL B<sup>1</sup>, B<sup>2</sup> OR B<sup>3</sup>

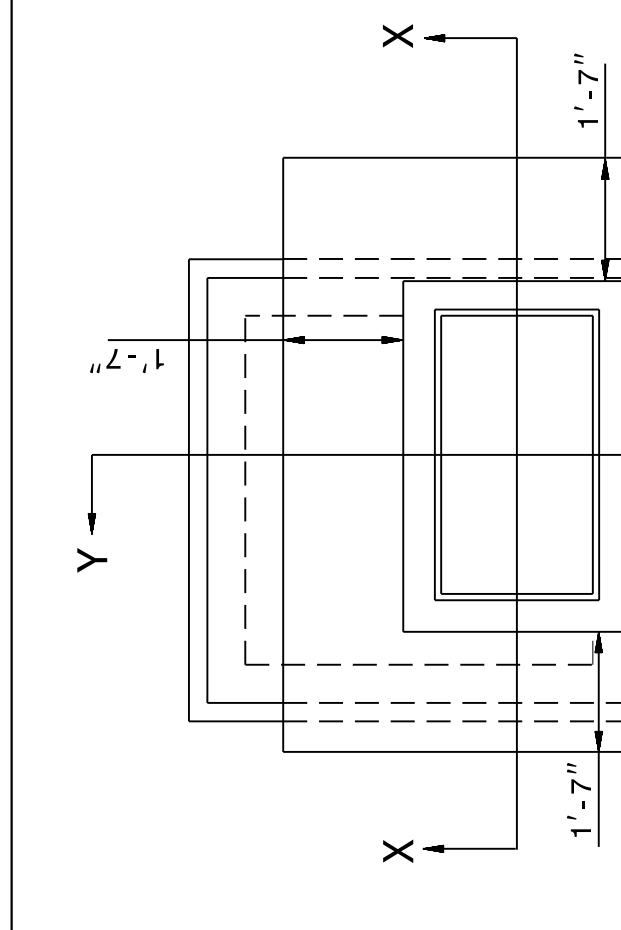


**PART SECTION U-U**  
 PERMISSIBLE CONSTRUCTION JOINT

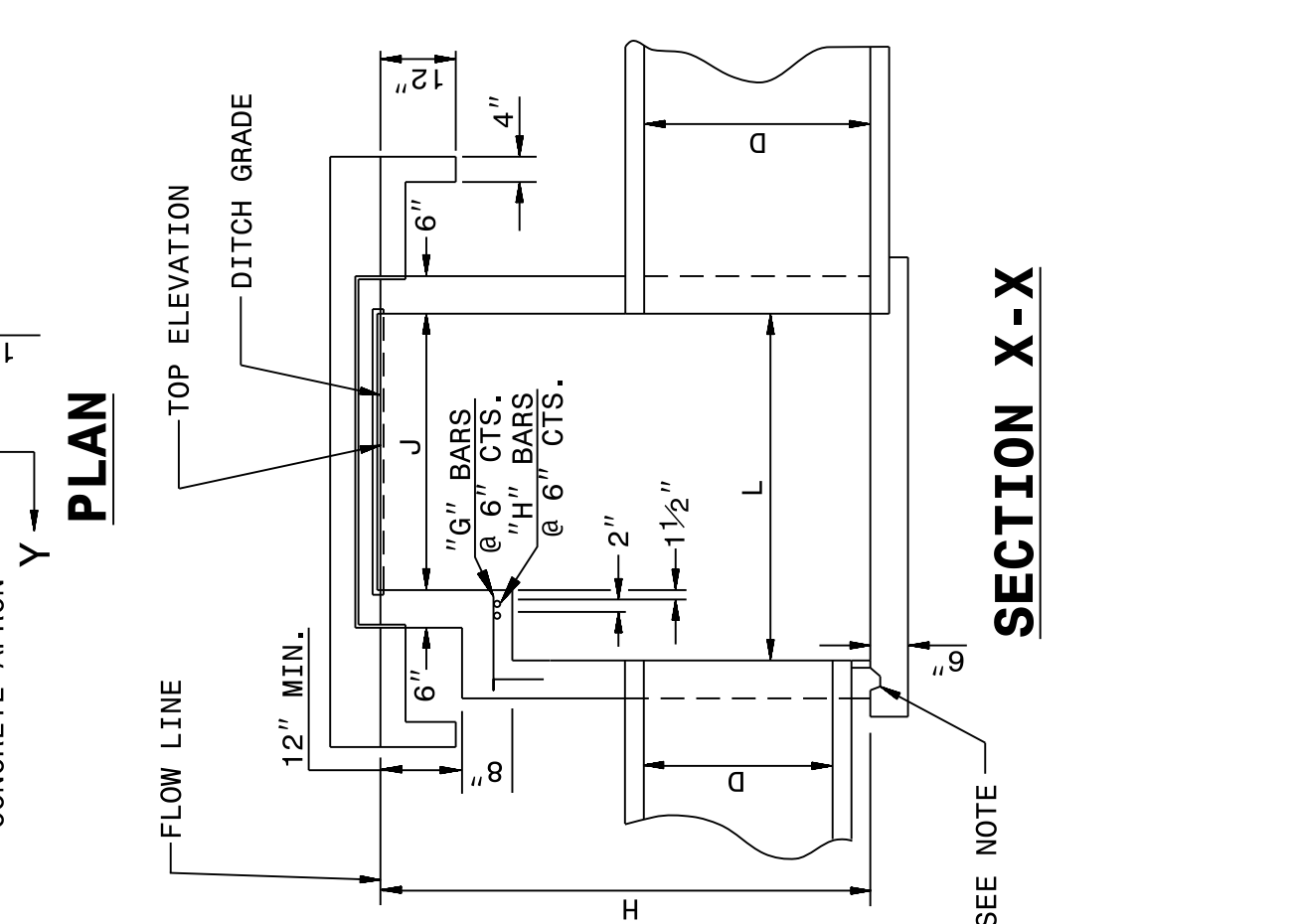
STATE OF NORTH CAROLINA DEPT. OF TRANSPORTATION DIVISION OF HIGHWAYS RALEIGH, N.C.

ENGLISH DETAIL DRAWING FOR CONCRETE GRATED DROP INLET TYPE 'A' MINIMUM DEPTH 12" THRU 72" PIPE

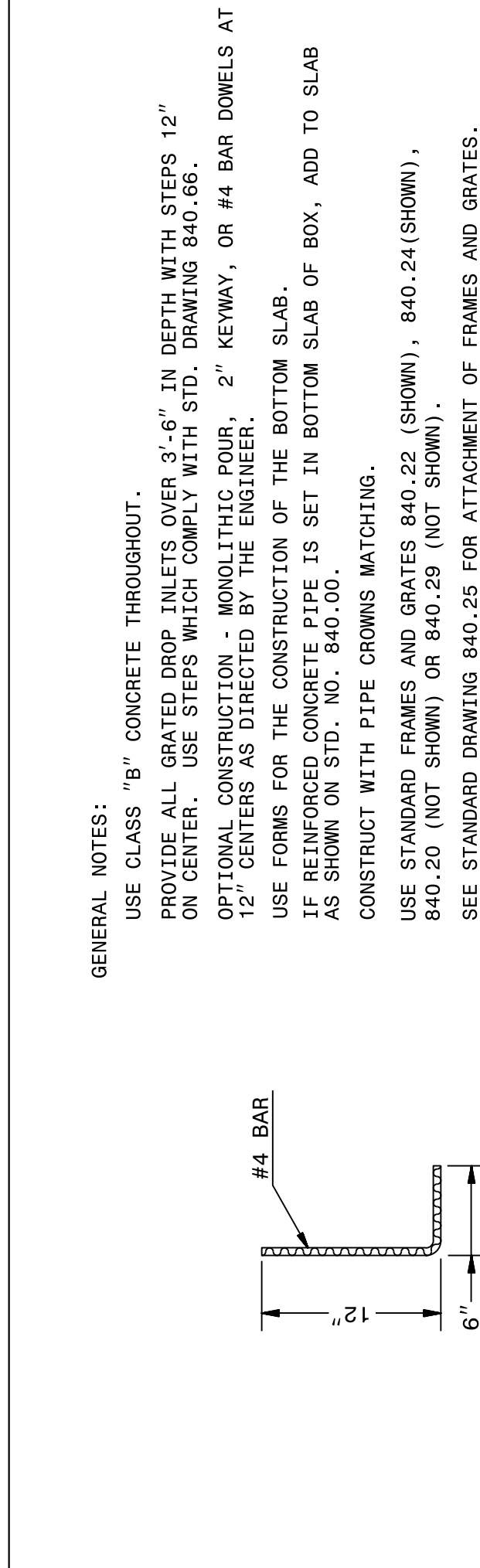
SHEET 2 OF 2 840d17



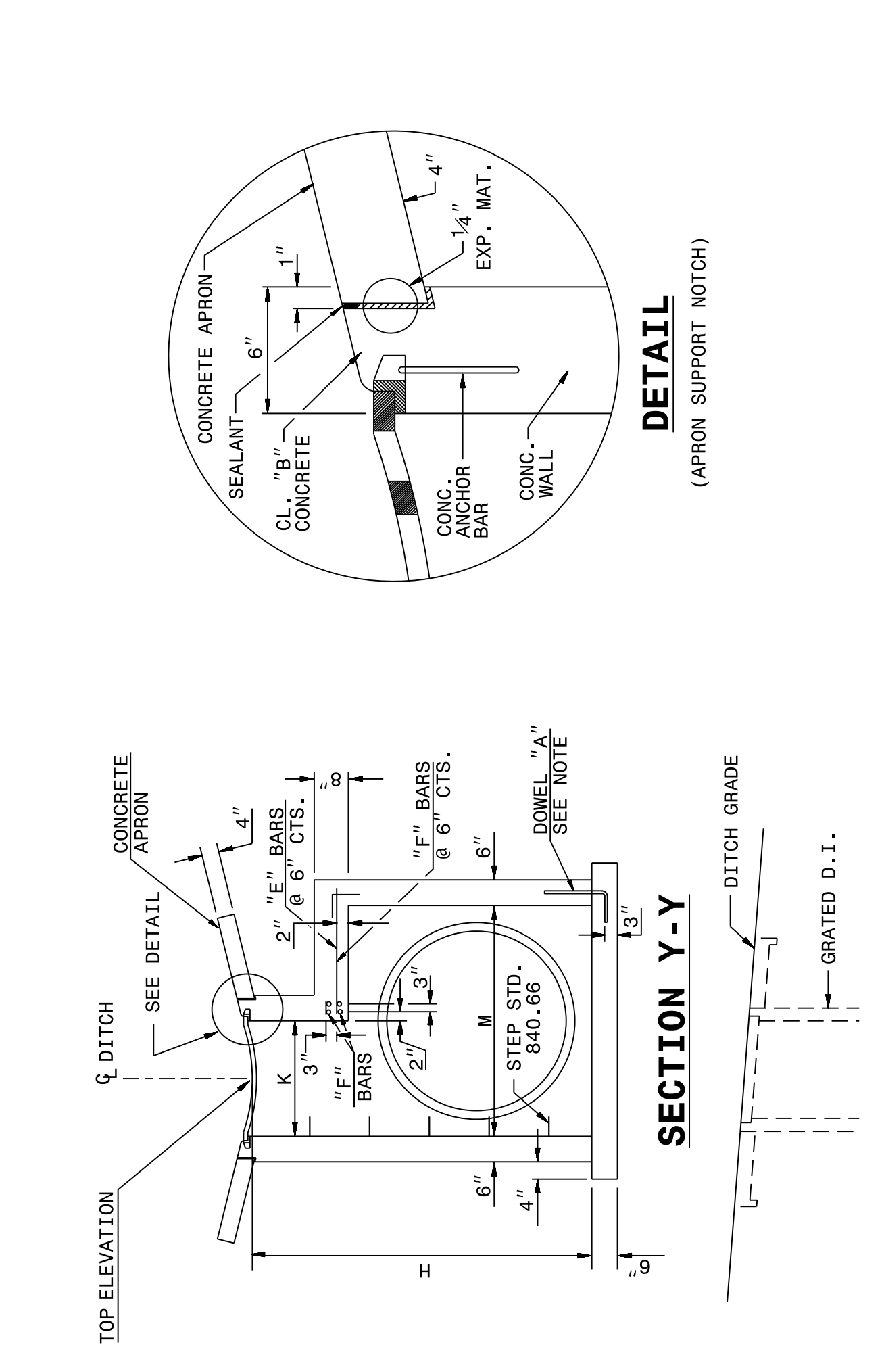
**SECTION V-V**  
 DOWEL B<sup>1</sup>, B<sup>2</sup> OR B<sup>3</sup>



**PART SECTION U-U**  
 PERMISSIBLE CONSTRUCTION JOINT



**SECTION V-V**  
 DOWEL B<sup>1</sup>, B<sup>2</sup> OR B<sup>3</sup>

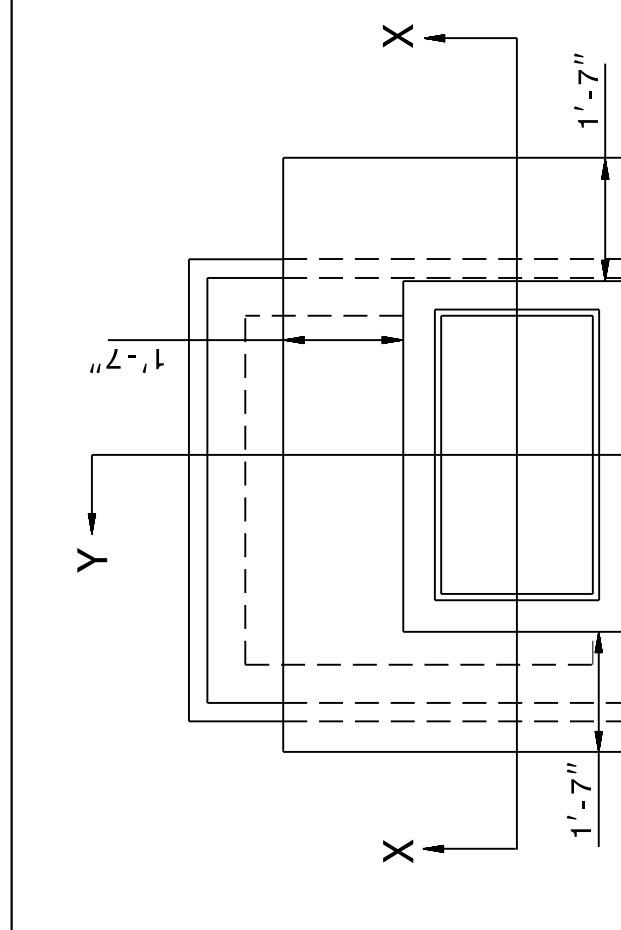


**PART SECTION U-U**  
 PERMISSIBLE CONSTRUCTION JOINT

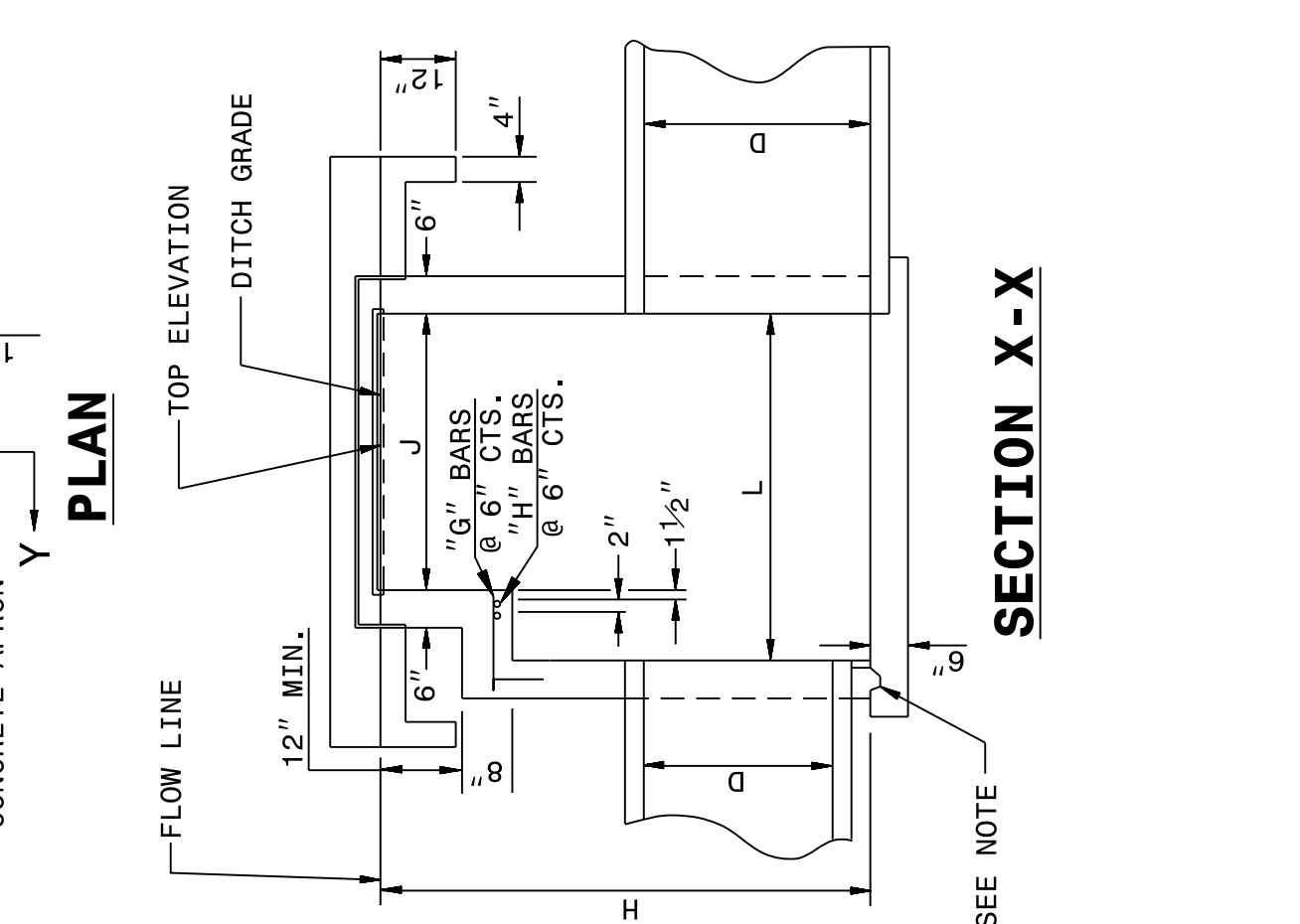
STATE OF NORTH CAROLINA DEPT. OF TRANSPORTATION DIVISION OF HIGHWAYS RALEIGH, N.C.

ENGLISH DETAIL DRAWING FOR CONCRETE GRATED DROP INLET TYPE 'A' MINIMUM DEPTH 12" THRU 72" PIPE

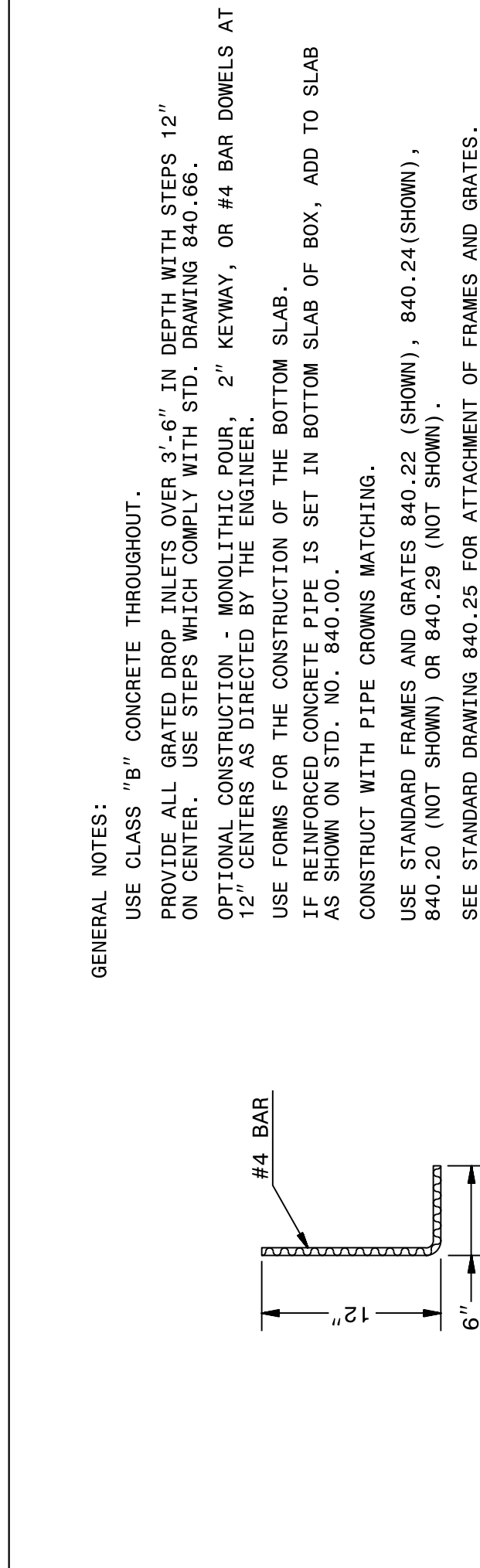
SHEET 2 OF 2 840d17



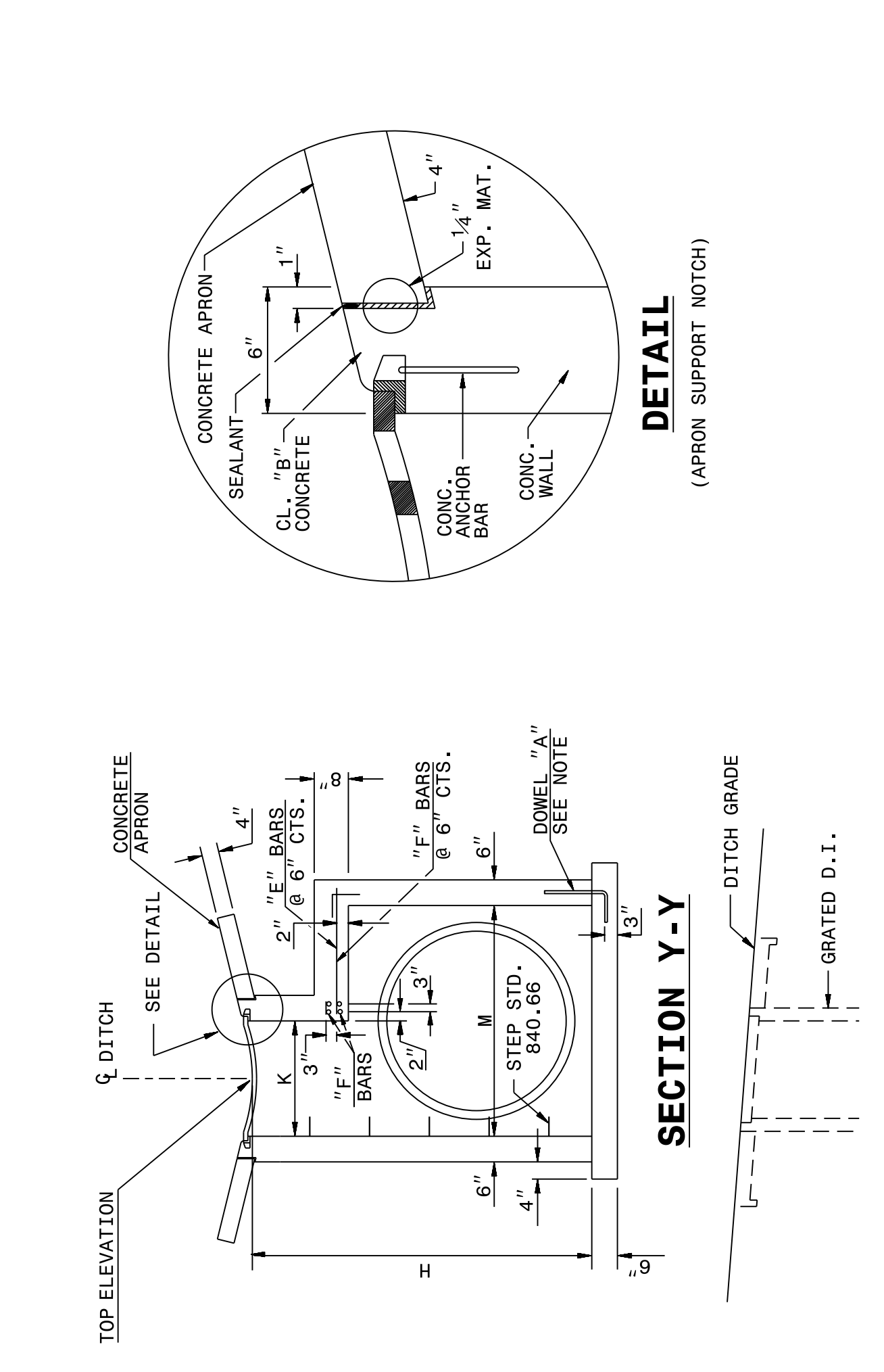
**SECTION V-V**  
 DOWEL B<sup>1</sup>, B<sup>2</sup> OR B<sup>3</sup>



**PART SECTION U-U**  
 PERMISSIBLE CONSTRUCTION JOINT



**SECTION V-V**  
 DOWEL B<sup>1</sup>, B<sup>2</sup> OR B<sup>3</sup>

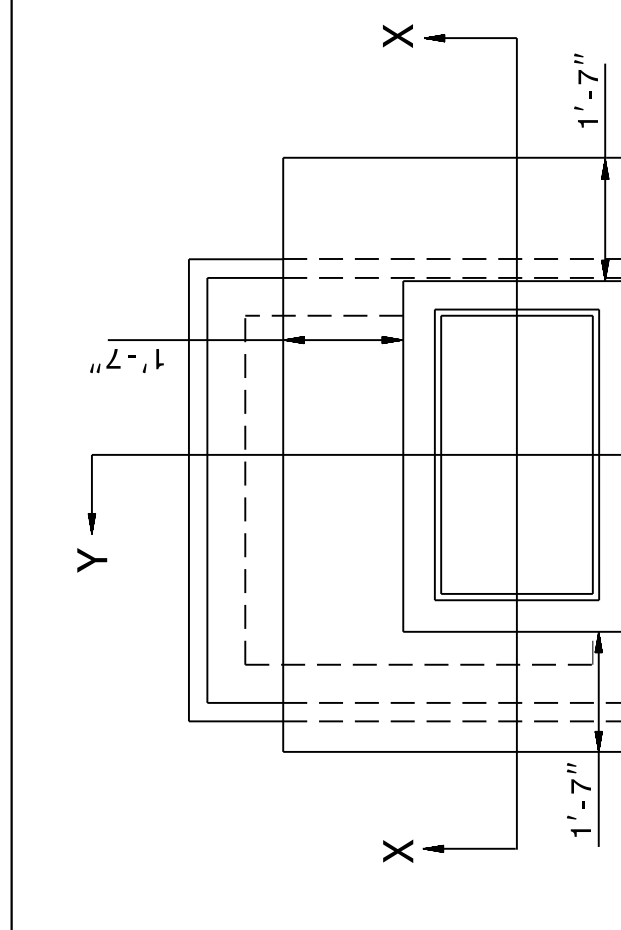


**PART SECTION U-U**  
 PERMISSIBLE CONSTRUCTION JOINT

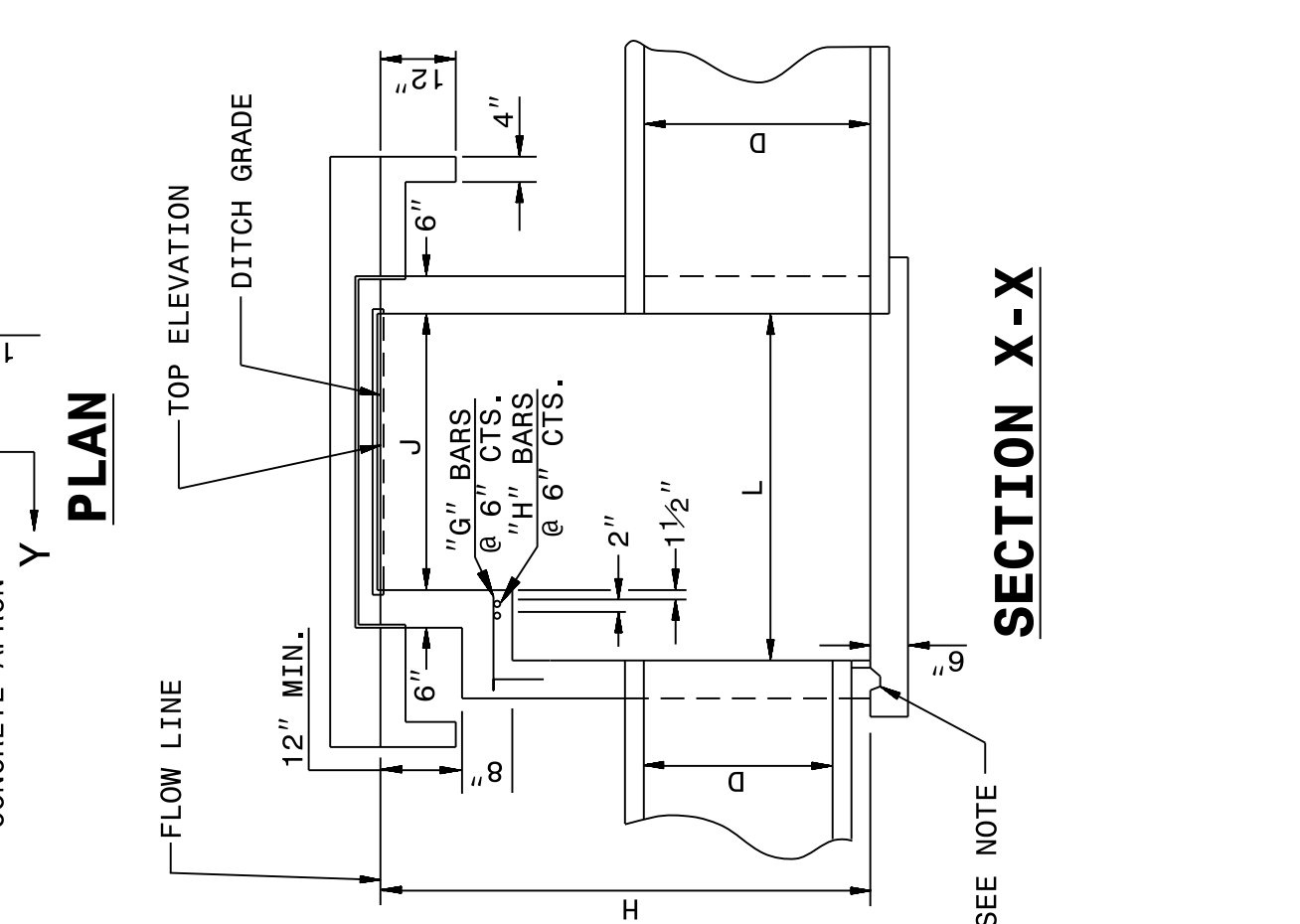
STATE OF NORTH CAROLINA DEPT. OF TRANSPORTATION DIVISION OF HIGHWAYS RALEIGH, N.C.

ENGLISH DETAIL DRAWING FOR CONCRETE GRATED DROP INLET TYPE 'A' MINIMUM DEPTH 12" THRU 72" PIPE

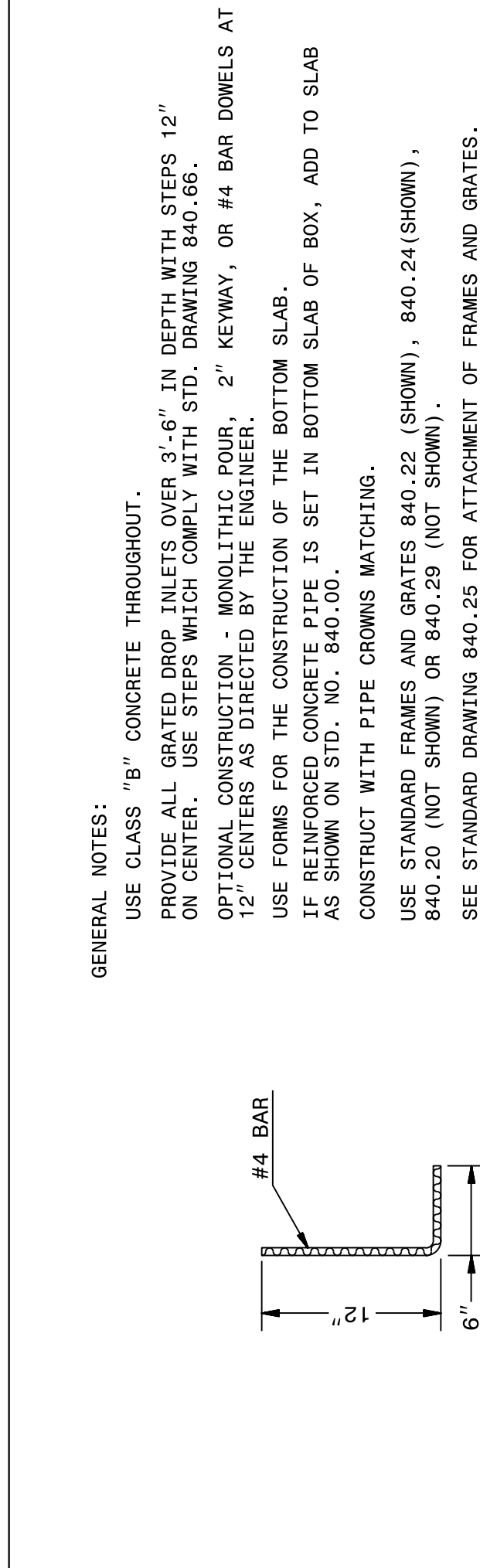
SHEET 2 OF 2 840d17



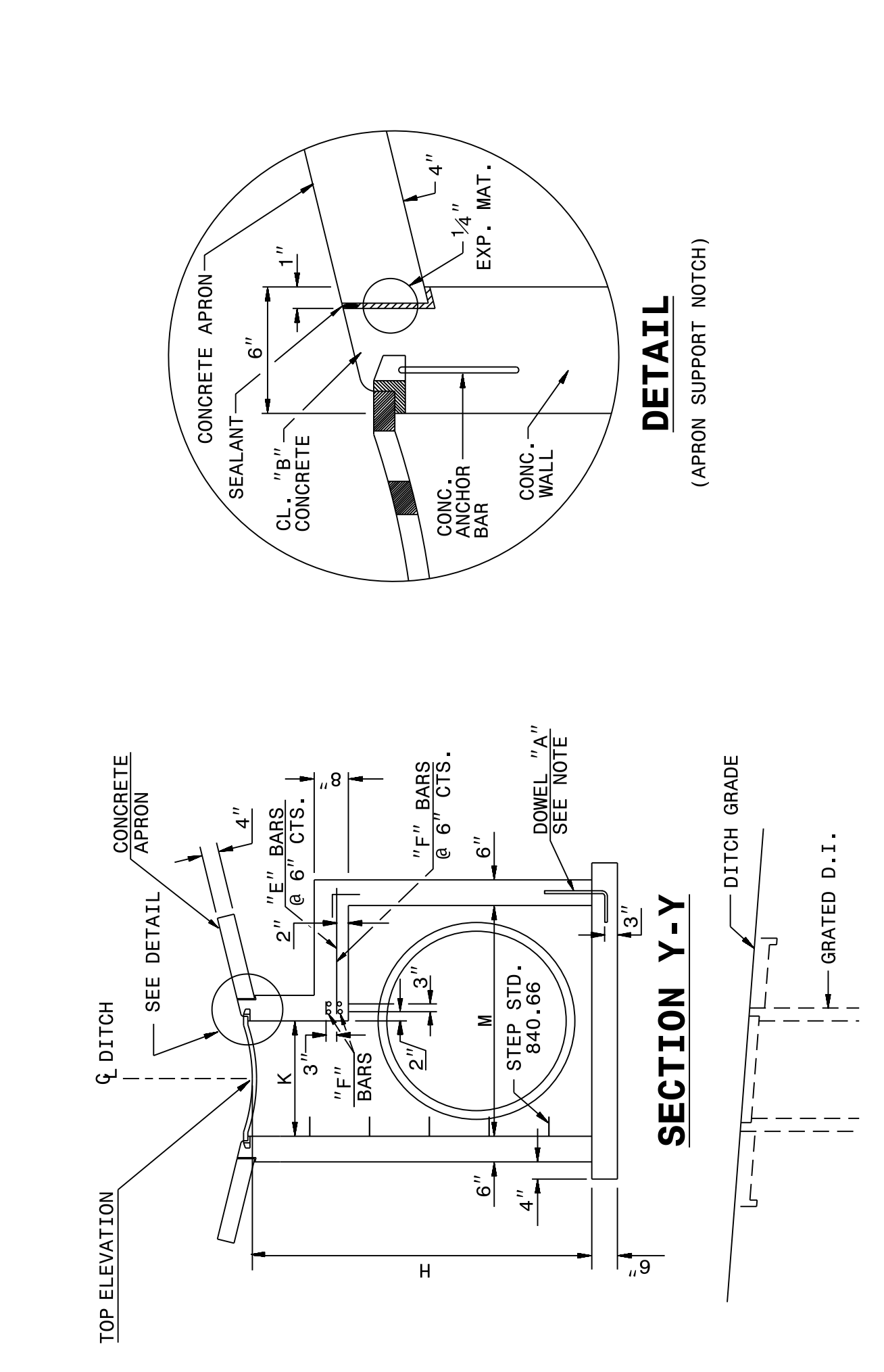
**SECTION V-V**  
 DOWEL B<sup>1</sup>, B<sup>2</sup> OR B<sup>3</sup>



**PART SECTION U-U**  
 PERMISSIBLE CONSTRUCTION JOINT



**SECTION V-V**  
 DOWEL B<sup>1</sup>, B<sup>2</sup> OR B<sup>3</sup>

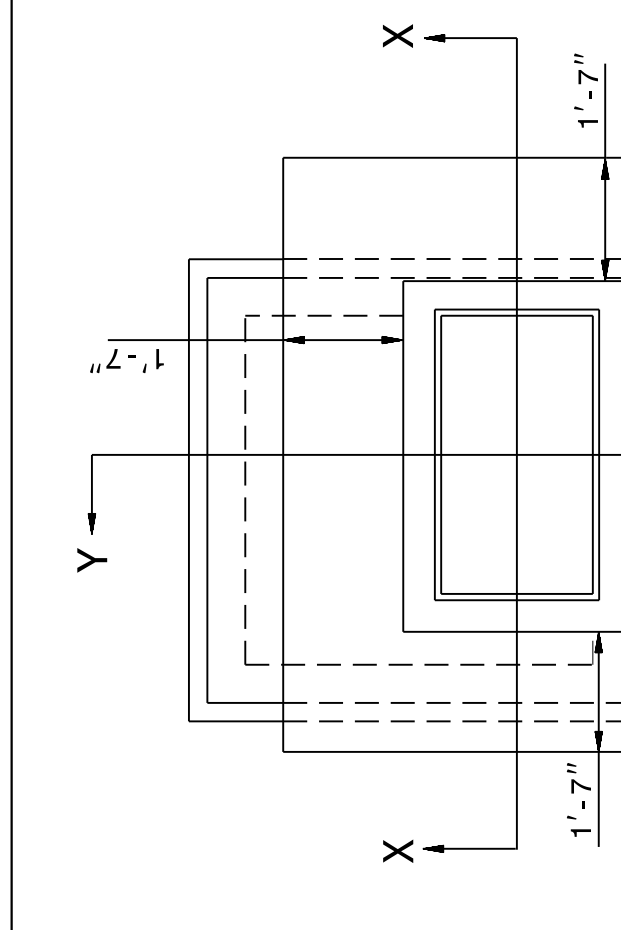


**PART SECTION U-U**  
 PERMISSIBLE CONSTRUCTION JOINT

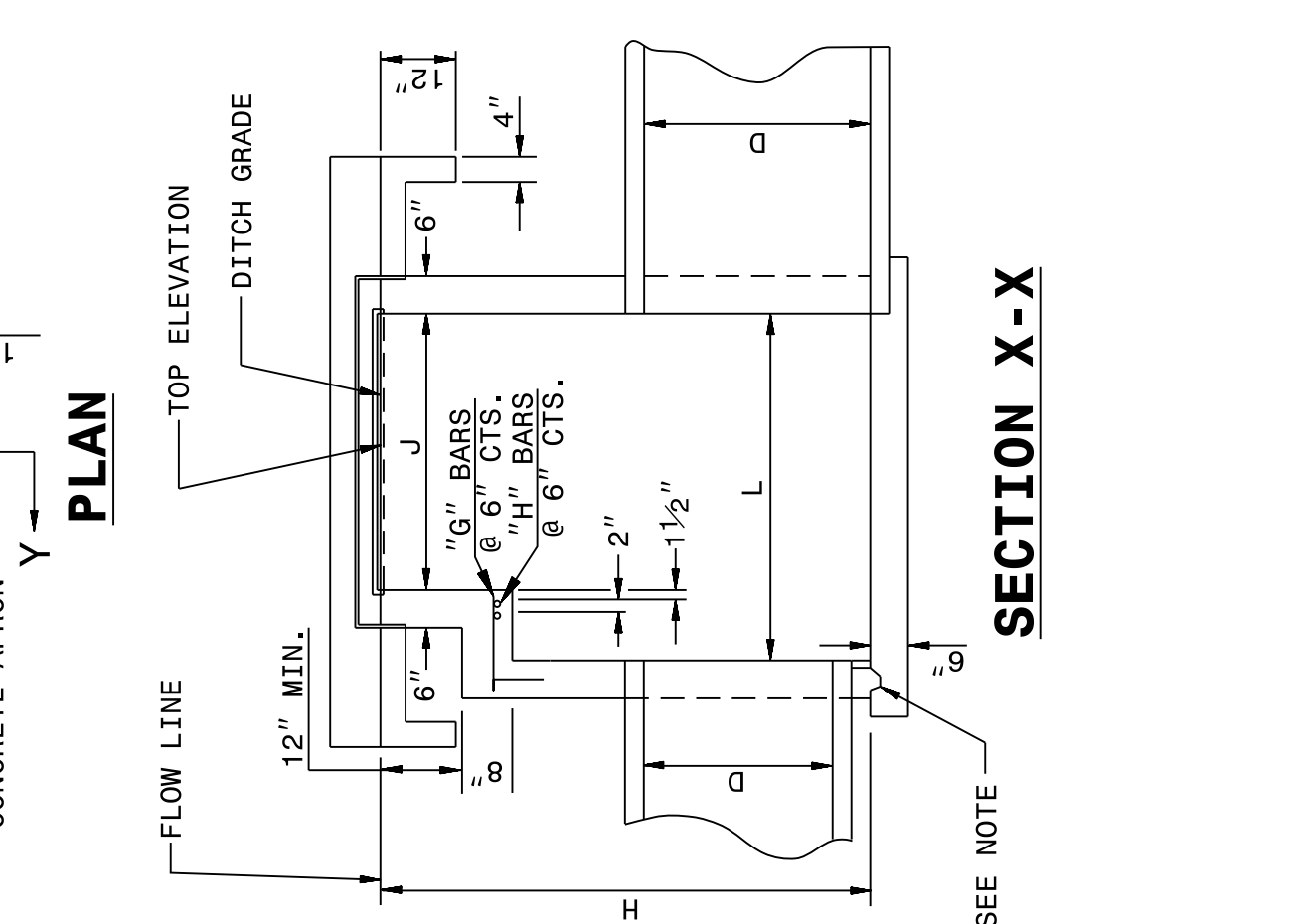
STATE OF NORTH CAROLINA DEPT. OF TRANSPORTATION DIVISION OF HIGHWAYS RALEIGH, N.C.

ENGLISH DETAIL DRAWING FOR CONCRETE GRATED DROP INLET TYPE 'A' MINIMUM DEPTH 12" THRU 72" PIPE

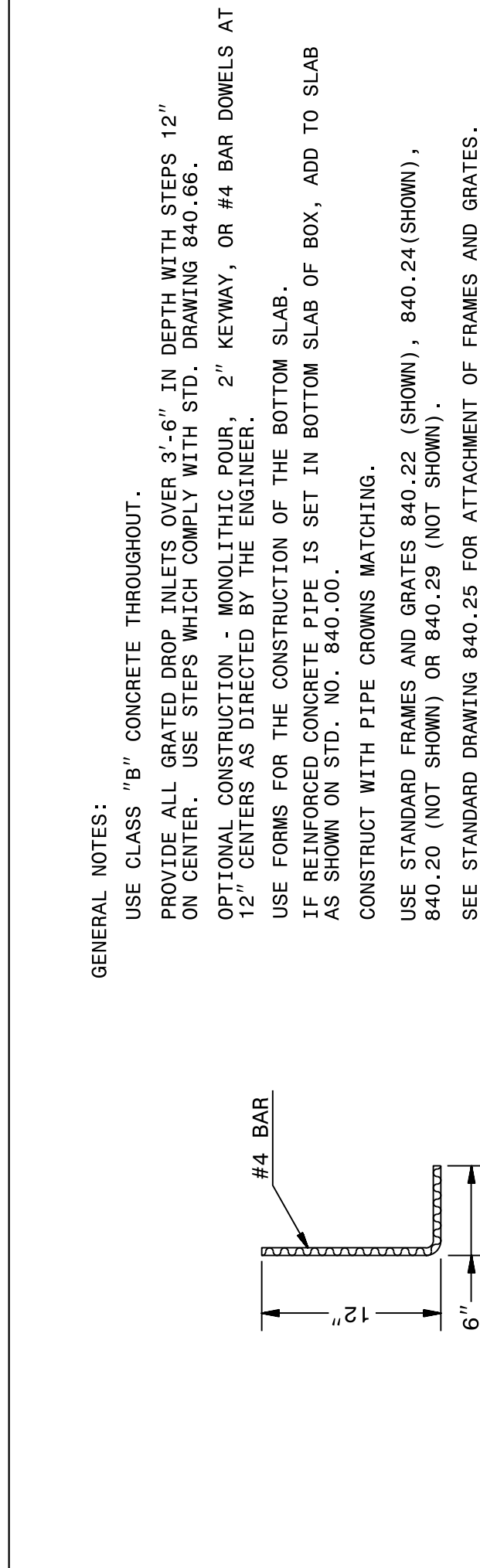
SHEET 2 OF 2 840d17



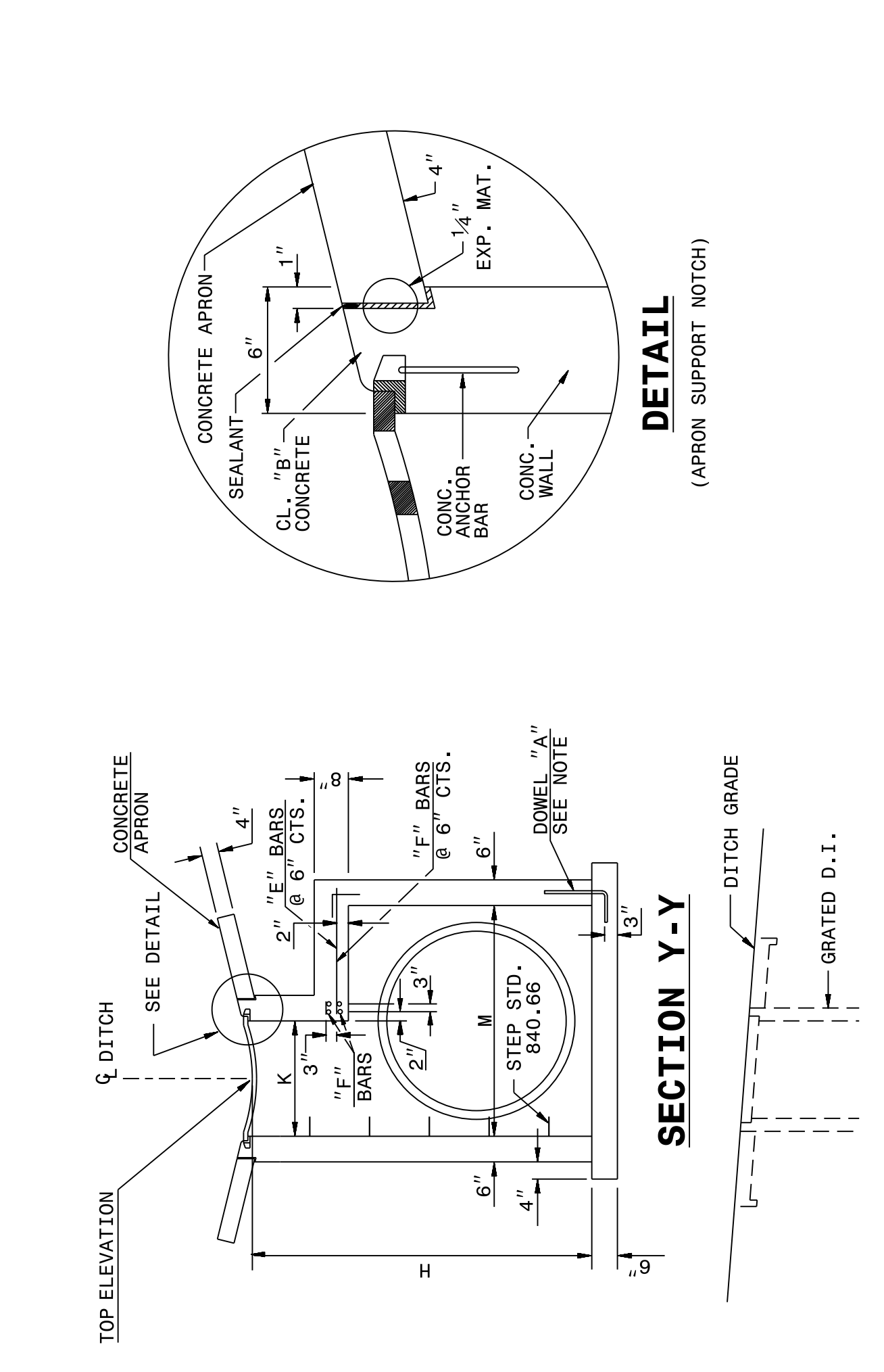
**SECTION V-V**  
 DOWEL B<sup>1</sup>, B<sup>2</sup> OR B<sup>3</sup>



**PART SECTION U-U**  
 PERMISSIBLE CONSTRUCTION JOINT



**SECTION V-V**  
 DOWEL B<sup>1</sup>, B<sup>2</sup> OR B<sup>3</sup>



**PART SECTION U-U**  
 PERMISSIBLE CONSTRUCTION JOINT

STATE OF NORTH CAROLINA DEPT. OF TRANSPORTATION DIVISION OF HIGHWAYS RALEIGH, N.C.

ENGLISH DETAIL DRAWING FOR CONCRETE GRATED DROP INLET TYPE 'A' MINIMUM DEPTH 12" THRU 72" PIPE

SHEET 2 OF 2 840d17