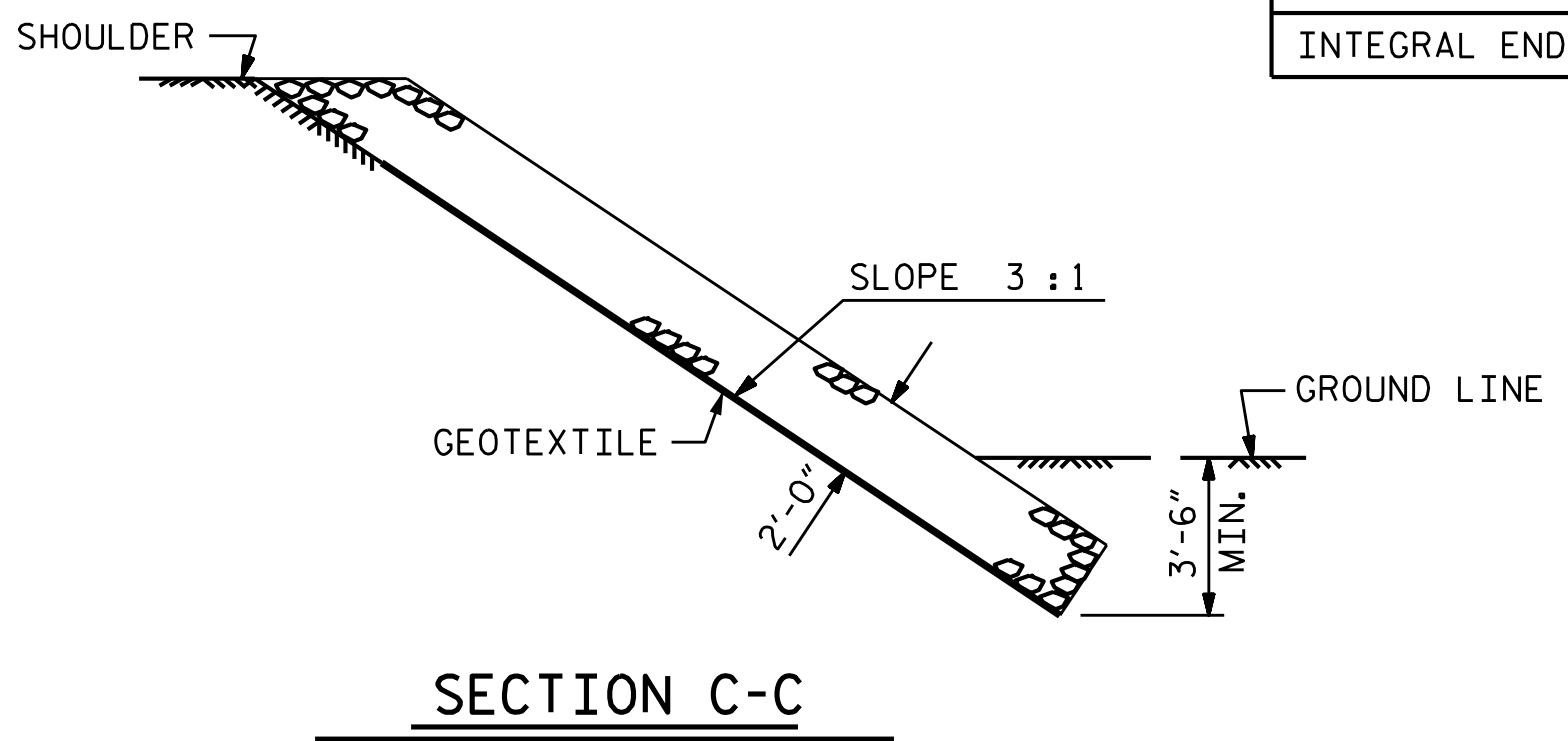
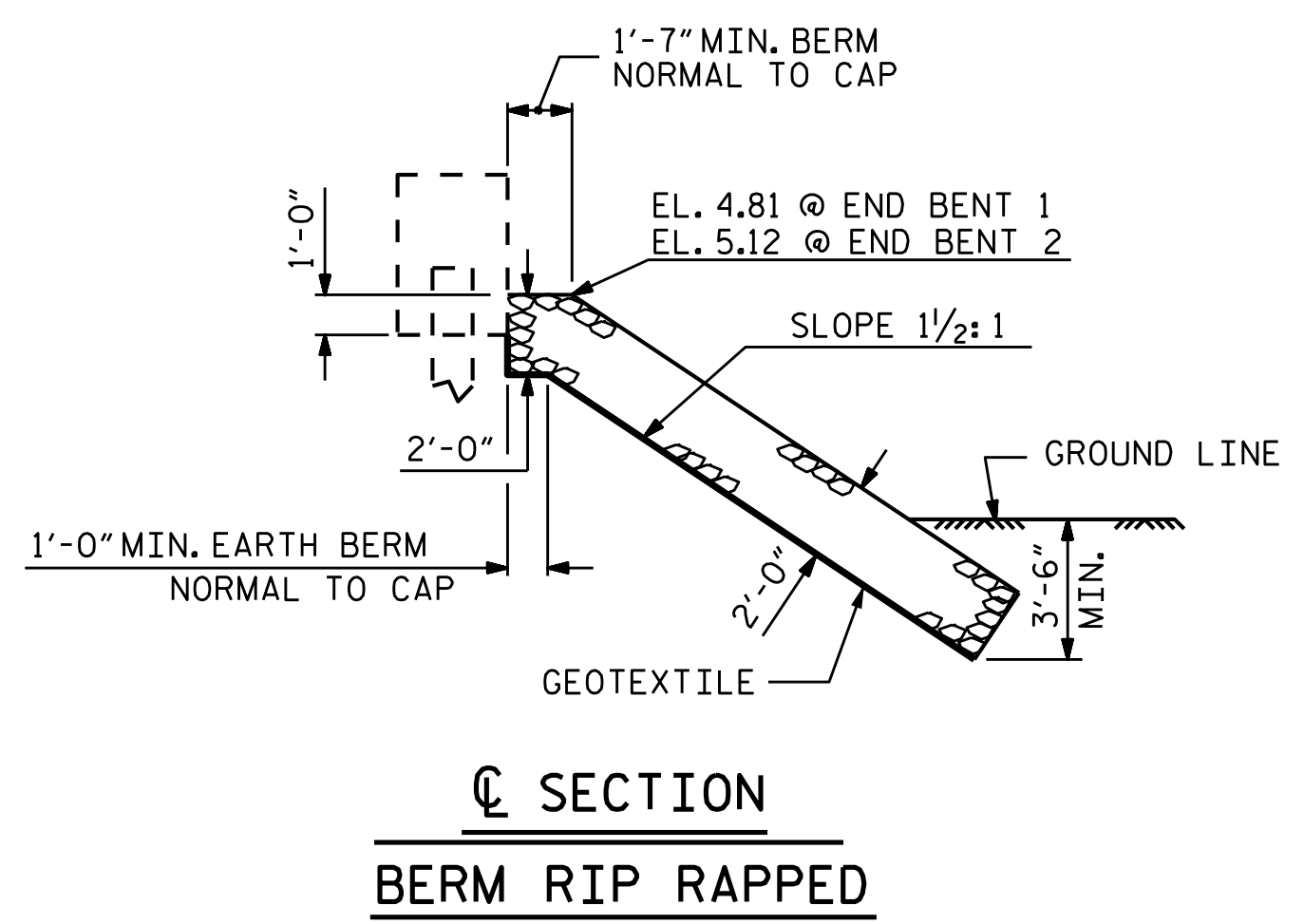
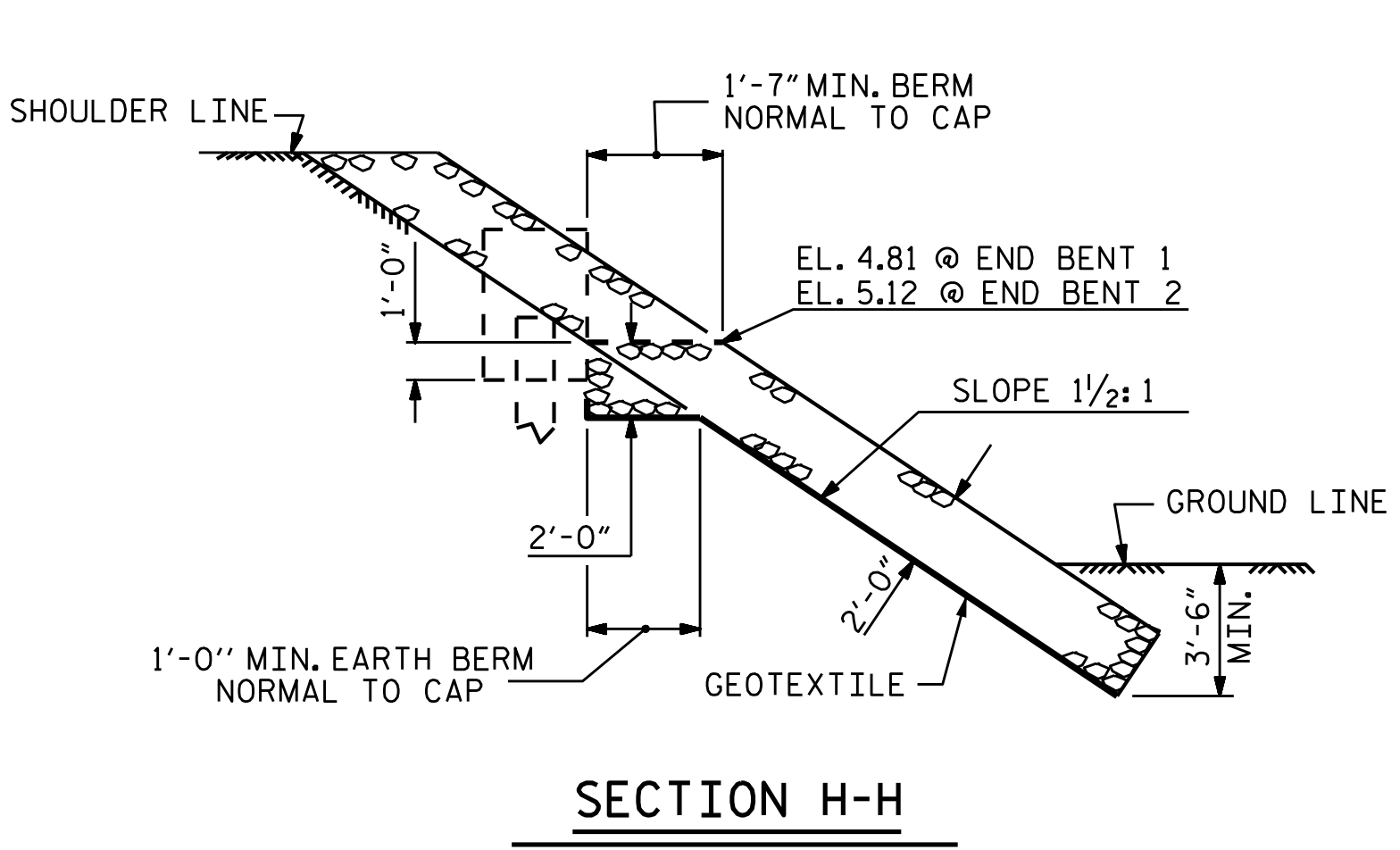
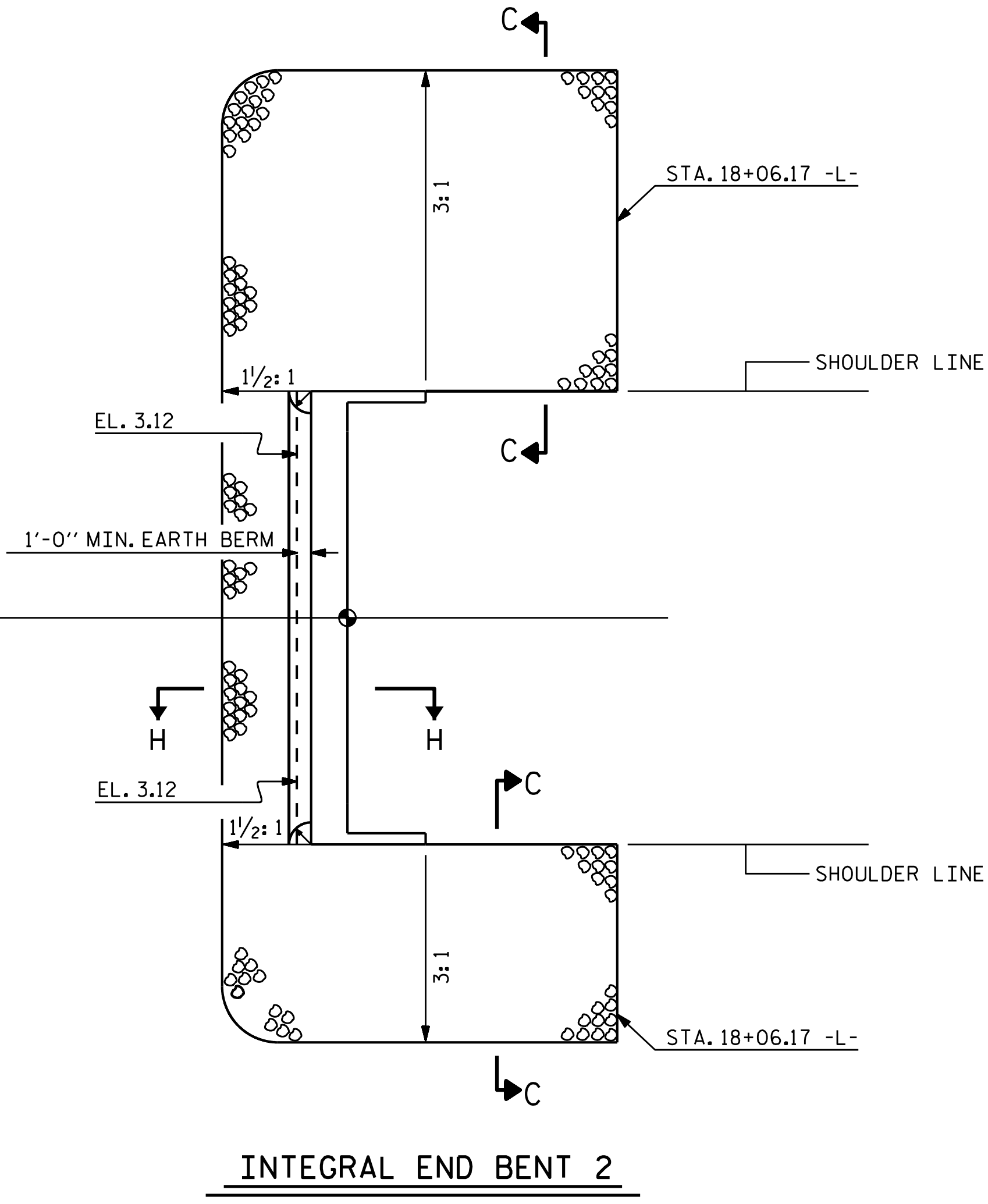
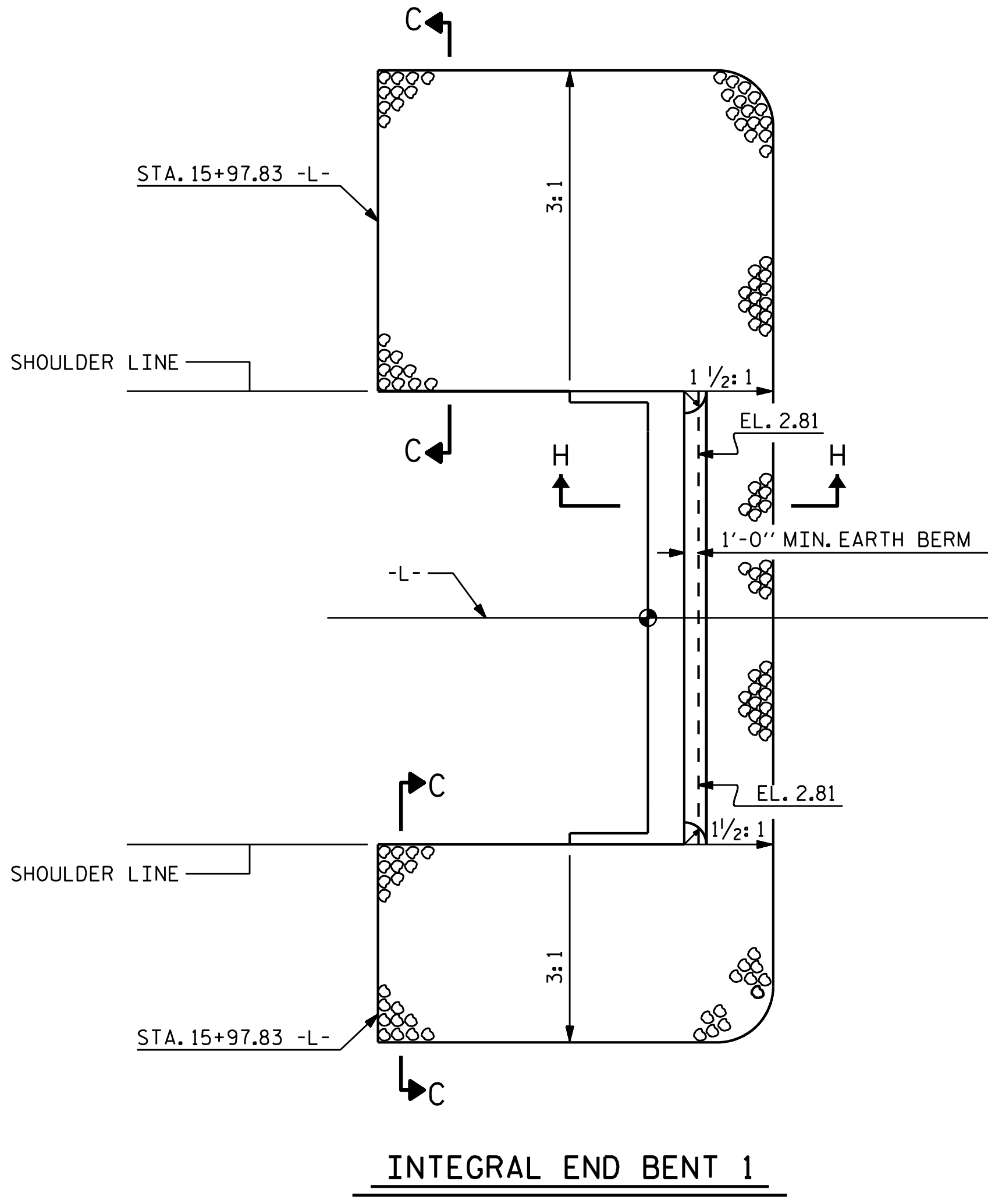


NOTES :
FOR BERM WIDTH DIMENSIONS, SEE GENERAL DRAWING.



ESTIMATED QUANTITIES		
BRIDGE @ STA. 17+02.00 -L-	RIP RAP CLASS II (2'-0" THICK)	GEOTEXTILE FOR DRAINAGE
	TONS	SQUARE YARDS
INTEGRAL END BENT 1	263	292
INTEGRAL END BENT 2	237	263

PROJECT NO. B-4593
PAMLICO COUNTY
 STATION: 17+02.00 -L-



STATE OF NORTH CAROLINA
 DEPARTMENT OF TRANSPORTATION
 RALEIGH
 STANDARD
 RIP RAP DETAILS

ASSEMBLED BY : R.G.BEAUCHAMP	DATE : 12/18
CHECKED BY : J.R.MCROY	DATE : 12/18
DRAWN BY : REK 1/84	REV. 10/1/11 MAA/GM
CHECKED BY : RDU 1/84	REV. 12/21/11 MAA/GM
	REV. 12/17 MAA/THC

VOLKERT
 5430 Wade Park Blvd., Suite 410
 Raleigh, NC 27607
 Tel. 919-854-0344 Fax. 919-854-0355
 NC License No. F-0765

DOCUMENT NOT CONSIDERED
 FINAL UNLESS ALL
 SIGNATURES COMPLETED

REVISIONS						SHEET NO. S-40
NO.	BY:	DATE:	NO.	BY:	DATE:	
1			3			TOTAL SHEETS 42
2			4			