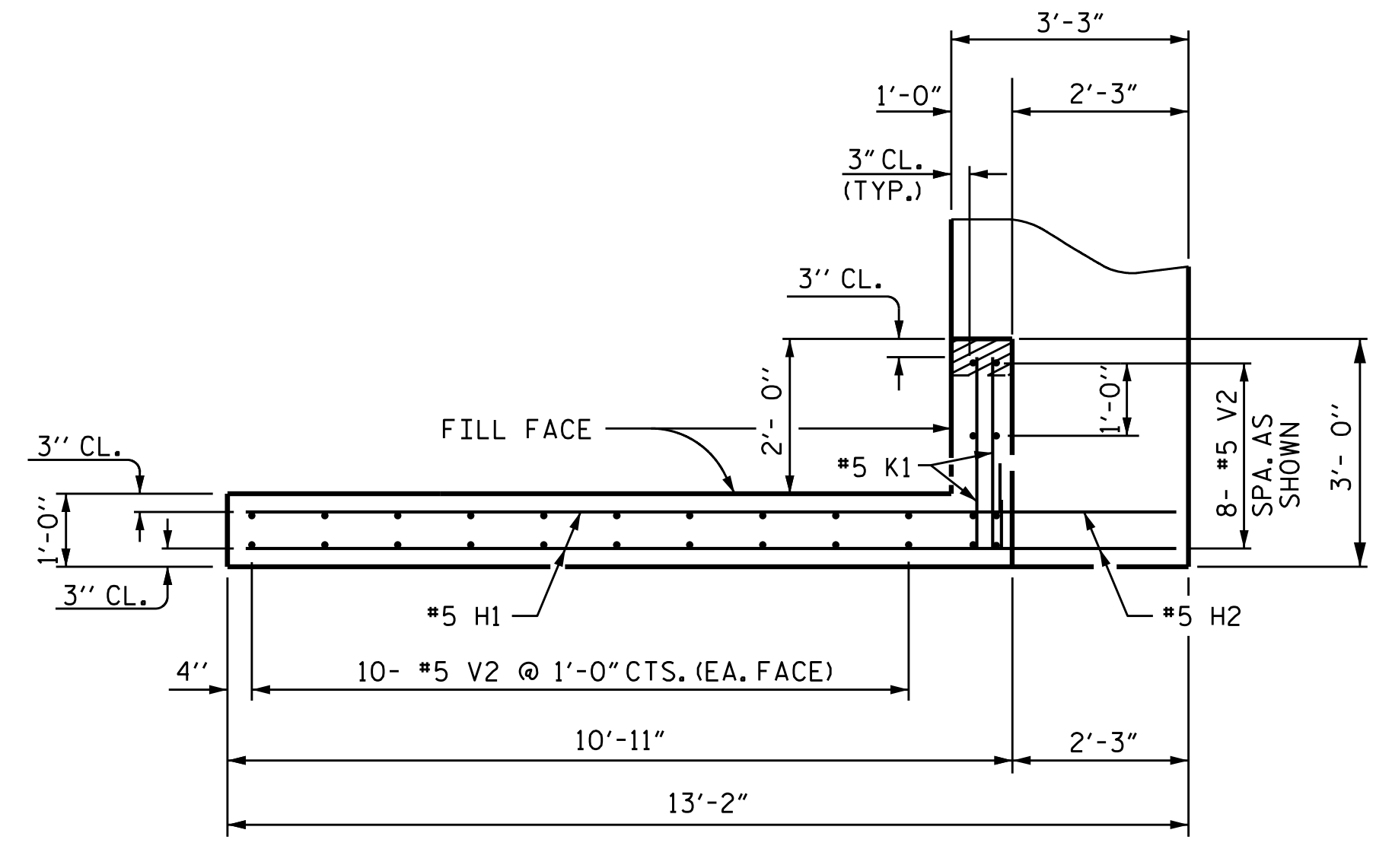
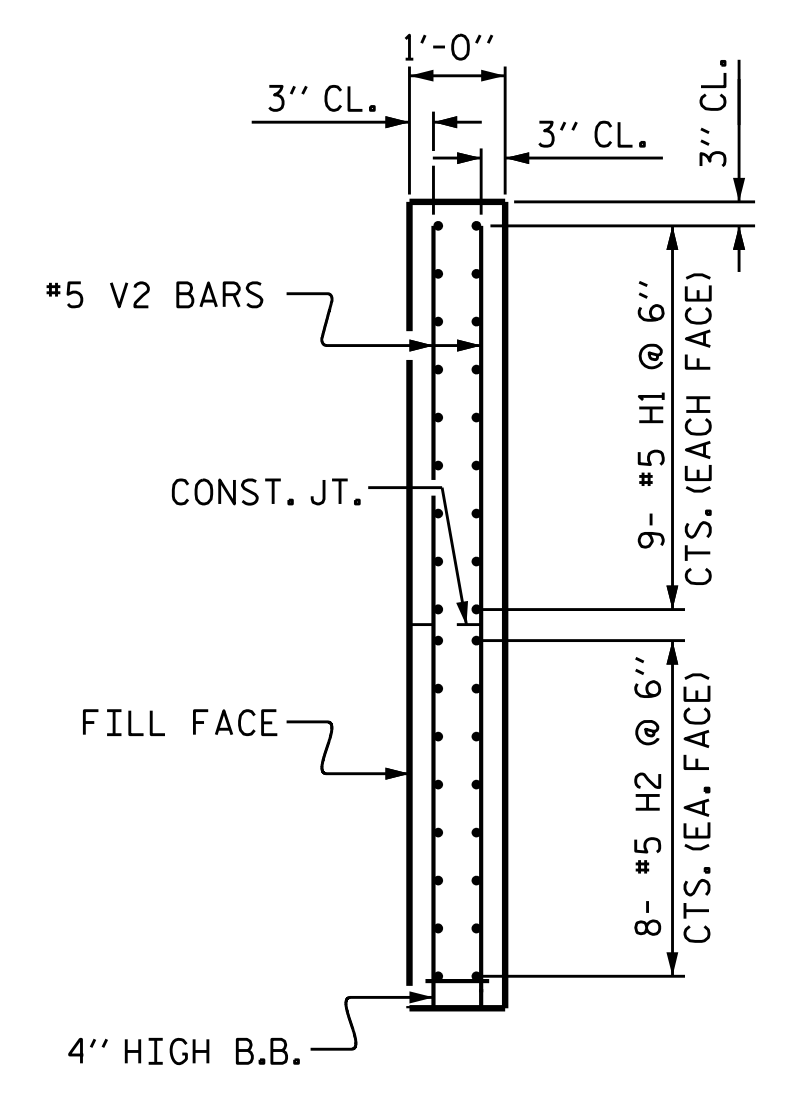


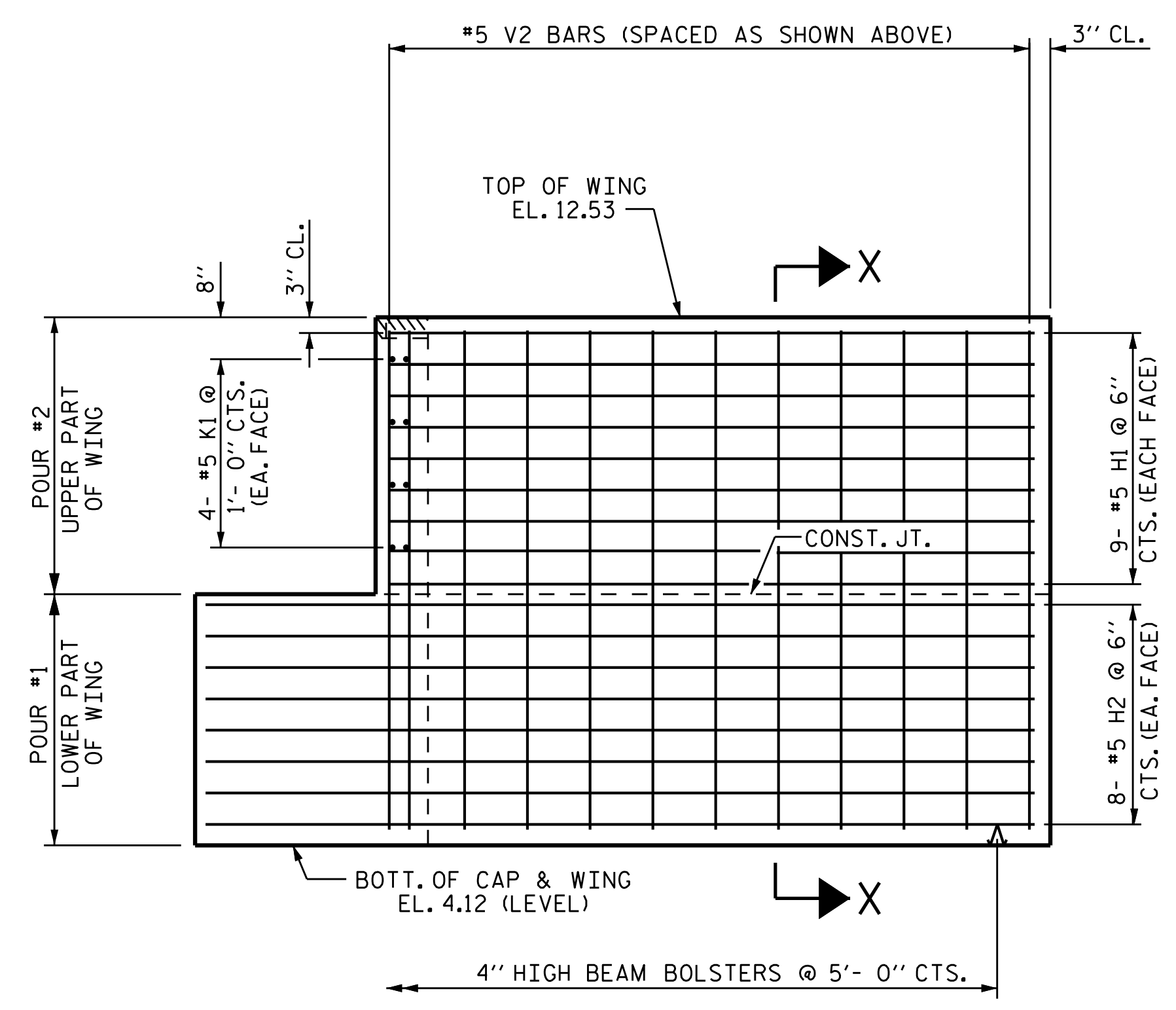
PLAN OF WING 1



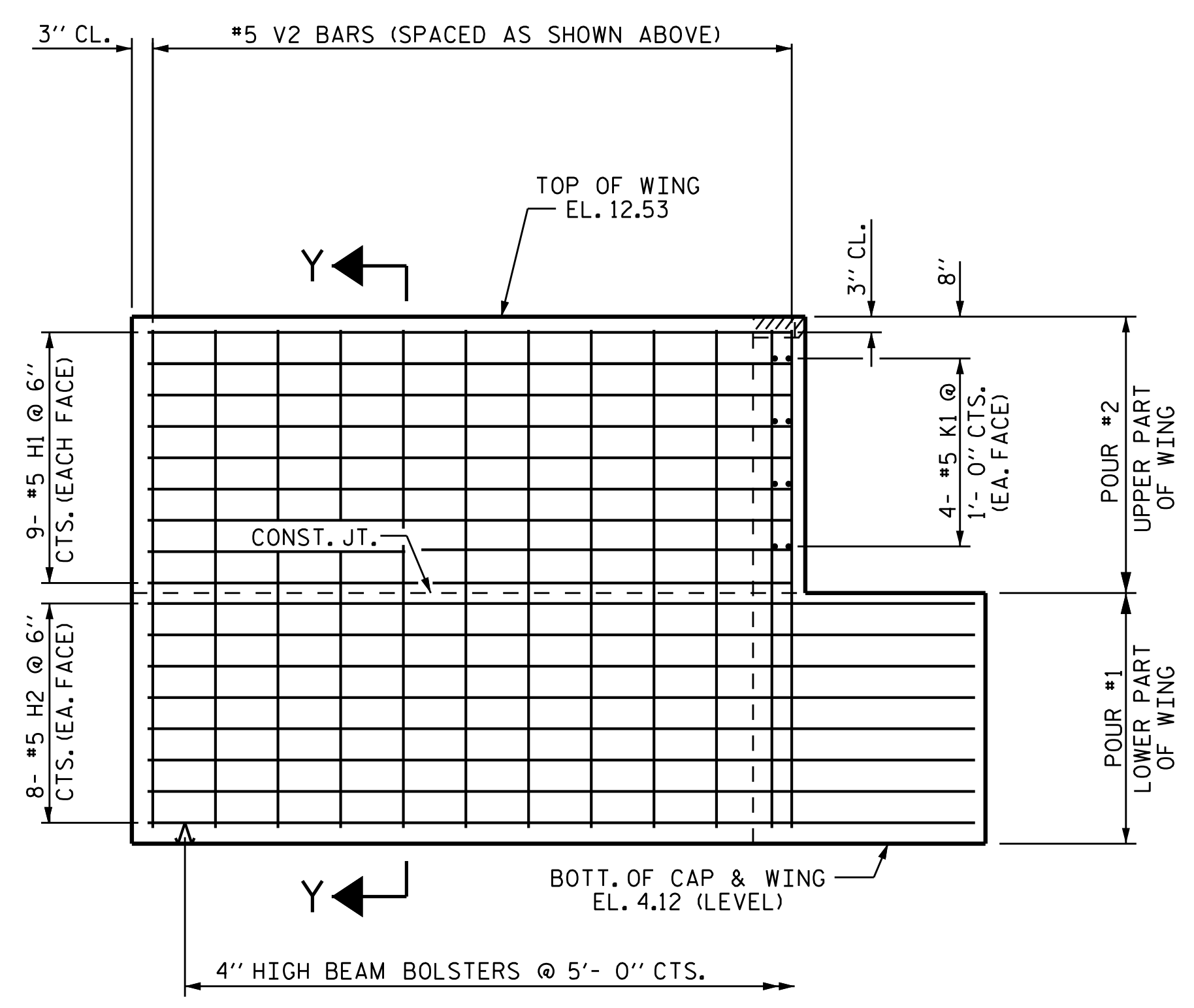
PLAN OF WING 2



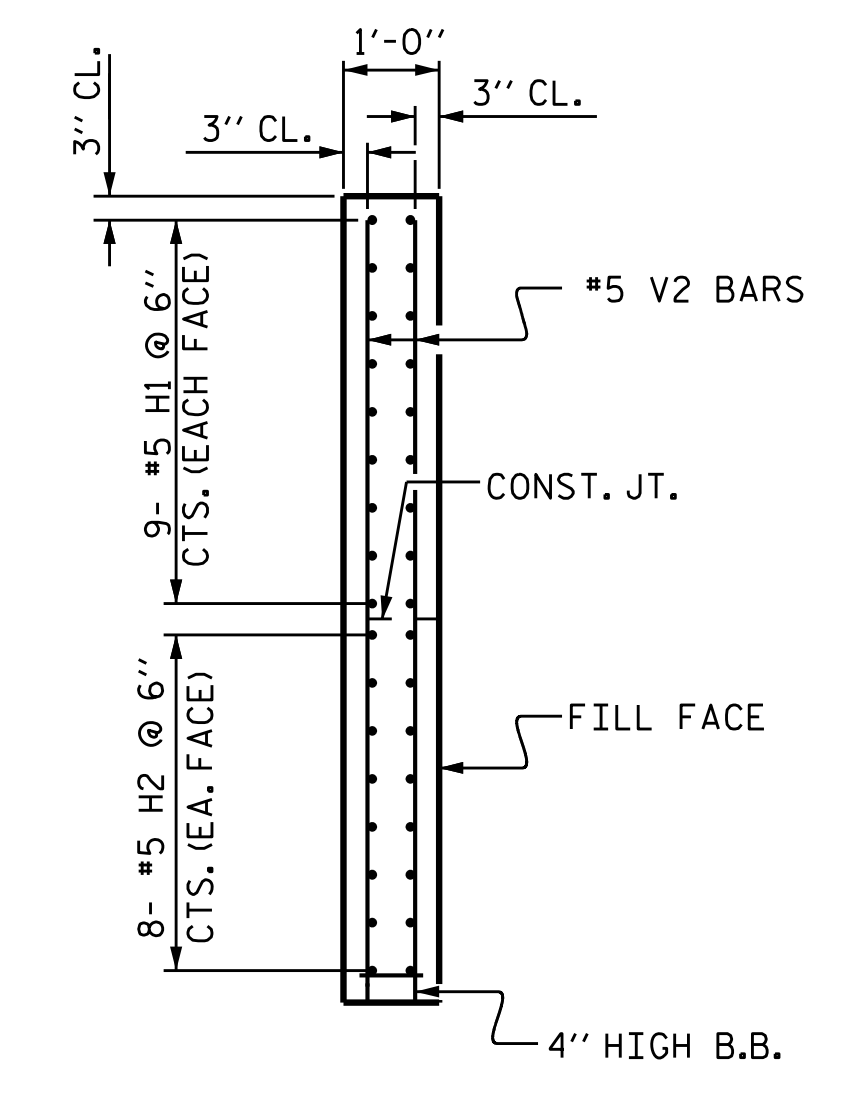
SECTION X-X



ELEVATION OF WING 1



ELEVATION OF WING 2



SECTION Y-Y

PROJECT NO. B-4593
PAMLICO COUNTY
 STATION: 17+02.00 -L-

SHEET 2 OF 3

STATE OF NORTH CAROLINA
 DEPARTMENT OF TRANSPORTATION
 RALEIGH

**SUBSTRUCTURE
 INTEGRAL
 END BENT 2**



VOLKERT
 5430 Wade Park Blvd., Suite 410
 Raleigh, NC 27607
 Tel. 919-854-0344 Fax. 919-854-0355
 NC License No. F-0765

DOCUMENT NOT CONSIDERED
 FINAL UNLESS ALL
 SIGNATURES COMPLETED

REVISIONS					
NO.	BY:	DATE:	NO.	BY:	DATE:
1			3		
2			4		

SHEET NO.
 S-36
 TOTAL SHEETS
 42

DRAWN BY: J.R. MCROY DATE: 11/18
 CHECKED BY: P.N. HOLDER DATE: 11/18
 DESIGN ENGINEER OF RECORD: J.R. MCROY DATE: 10/18