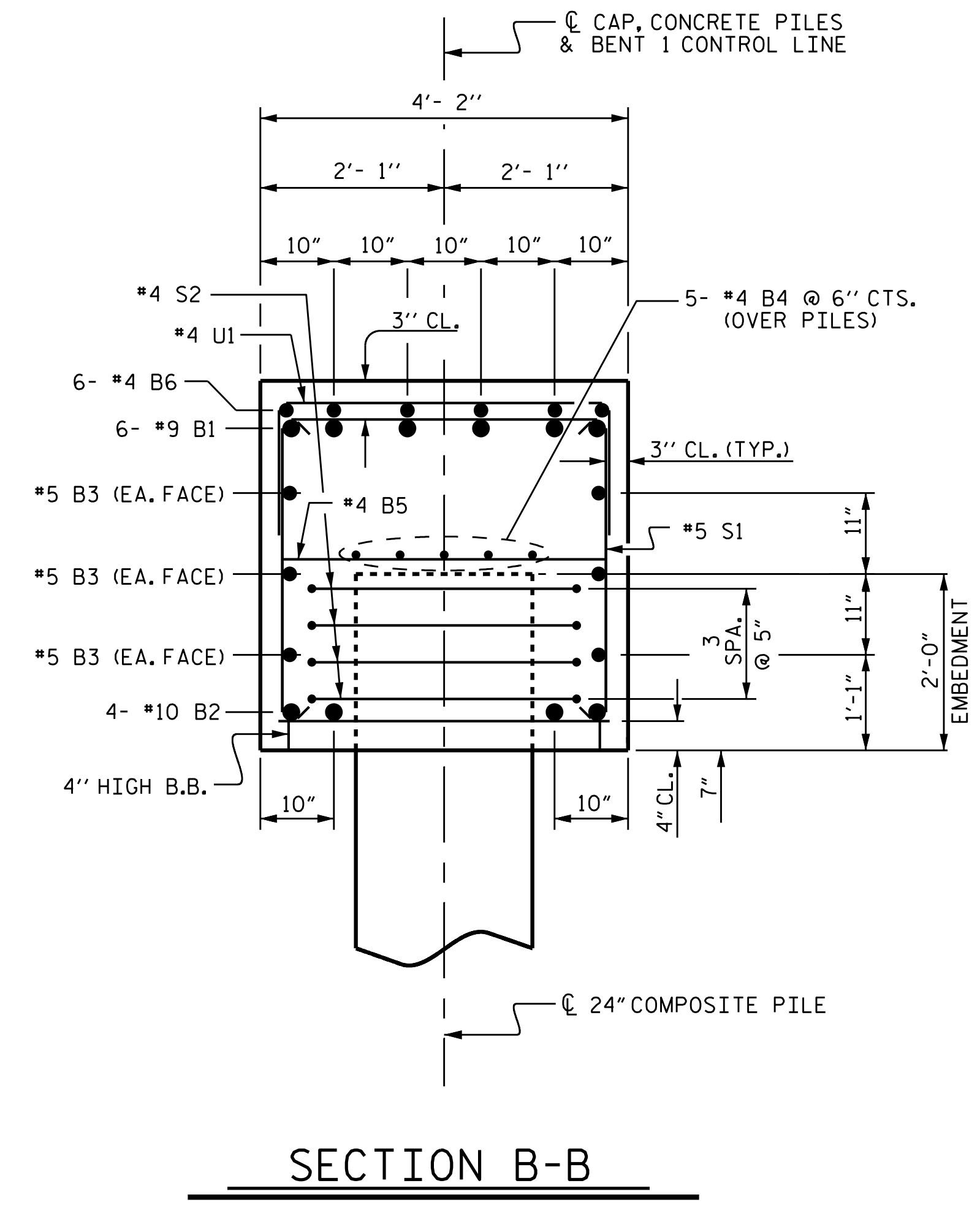
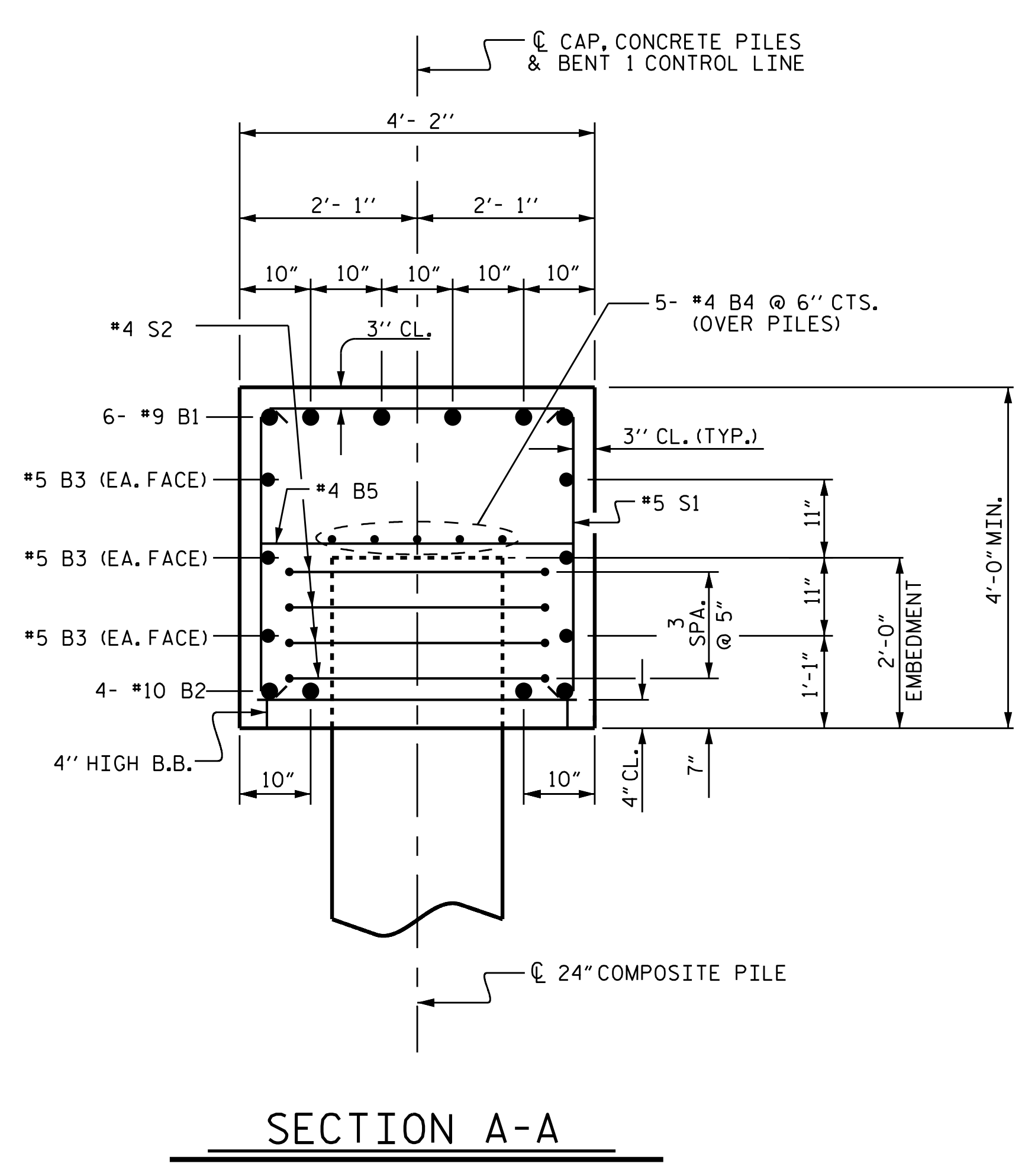
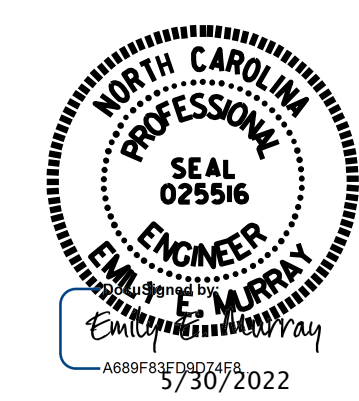


BILL OF MATERIAL					
BAR	NO.	SIZE	TYPE	LENGTH	WEIGHT
* B1	6	9	1	33'-10"	690
* B2	4	10	STR	31'- 6"	542
* B3	6	5	STR	31'- 6"	197
* B4	5	4	STR	31'- 6"	105
* B5	8	4	STR	3'- 8"	20
* B6	6	4	STR	12'- 4"	49
* S1	28	5	2	11'- 6"	336
* S2	24	4	4	10'- 8"	171
* U1	29	4	3	6'- 8"	129
* U2	8	4	3	6'- 2"	33
* U3	8	4	3	6'- 6"	35
* EPOXY COATED REINFORCING STEEL					2307 LBS.
TOTAL CLASS AA CONCRETE					18.4 C.Y.



PROJECT NO. B-4593
PAMLICO COUNTY
 STATION: 17+02.00 -L-
 SHEET 2 OF 2



STATE OF NORTH CAROLINA
 DEPARTMENT OF TRANSPORTATION
 RALEIGH
SUBSTRUCTURE BENT 1

DRAWN BY: J.R. MCROY DATE: 11/18
 CHECKED BY: P.N. HOLDER DATE: 11/18
 DESIGN ENGINEER OF RECORD: J.R. MCROY DATE: 11/18

VOLKERT
 5430 Wade Park Blvd., Suite 410
 Raleigh, NC 27607
 Tel. 919-854-0344 Fax. 919-854-0355
 NC License No. F-0765

DOCUMENT NOT CONSIDERED
 FINAL UNLESS ALL
 SIGNATURES COMPLETED

REVISIONS						SHEET NO.
NO.	BY:	DATE:	NO.	BY:	DATE:	TOTAL SHEETS
1			3			S-32
2			4			42