

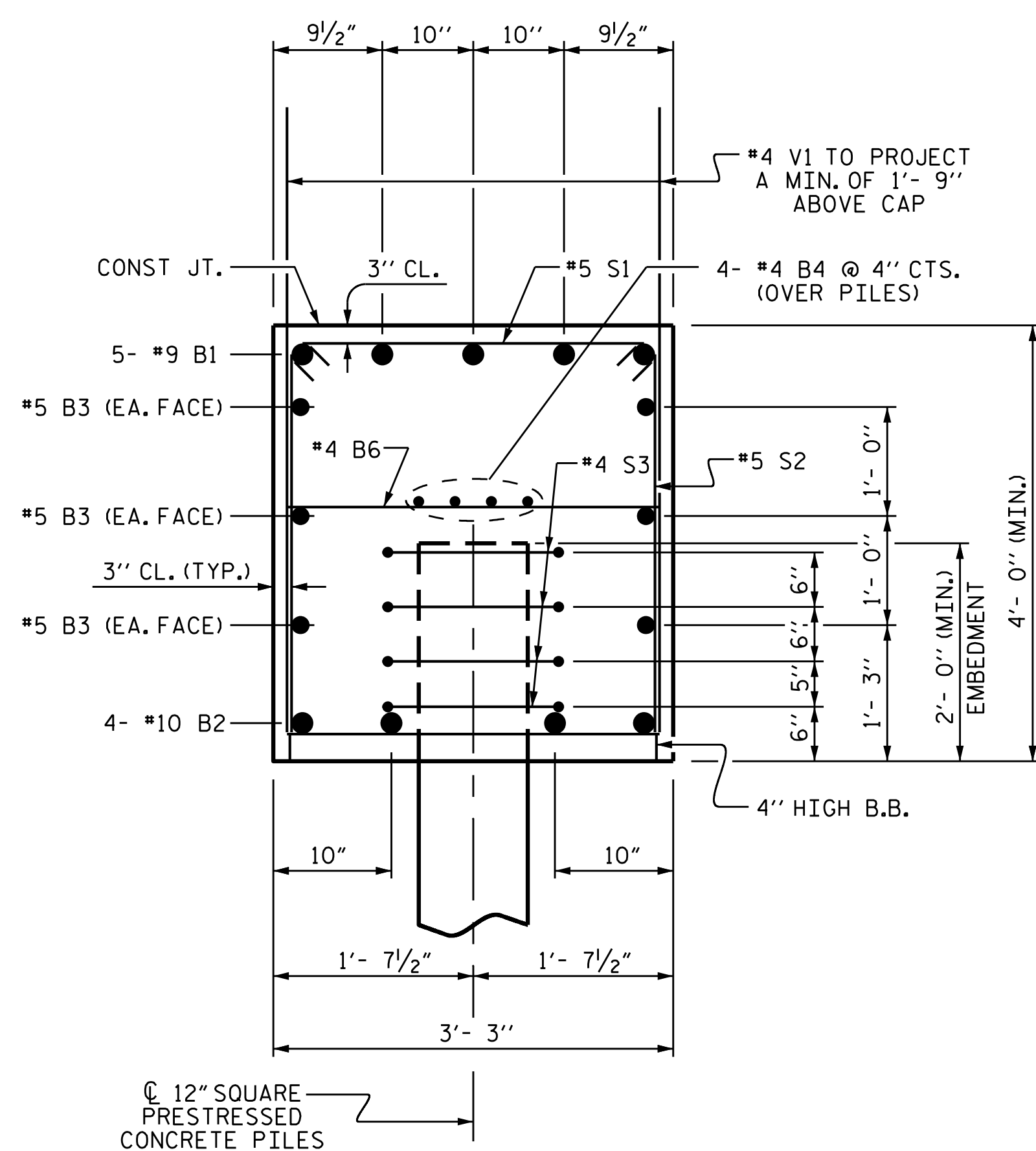
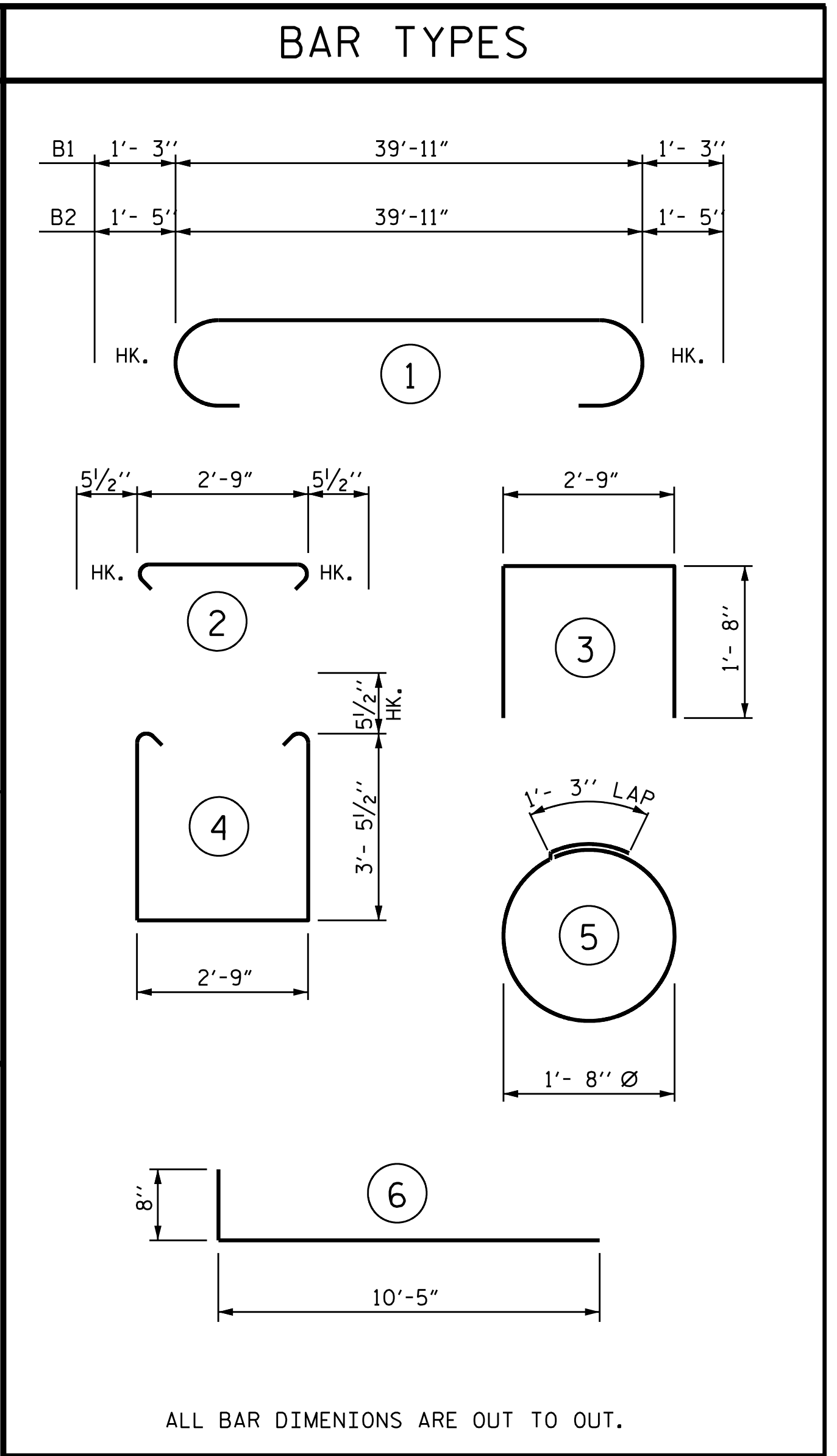
BAGGED STONE AND PIPE SHALL BE PLACED IMMEDIATELY AFTER COMPLETION OF END BENT EXCAVATION. PIPE MAY BE EITHER CONCRETE, CORRUGATED STEEL, CORRUGATED ALUMINUM ALLOY, OR CORRUGATED PLASTIC. PERFORATED PIPE WILL NOT BE ALLOWED.

BAGGED STONE SHALL REMAIN IN PLACE UNTIL THE ENGINEER DIRECTS THAT IT BE REMOVED. THE CONTRACTOR SHALL REMOVE AND DISPOSE OF SILT ACCUMULATIONS AT BAGGED STONE WHEN SO DIRECTED BY THE ENGINEER. BAGS SHALL BE REMOVED AND REPLACED WHENEVER THE ENGINEER DETERMINES THAT THEY HAVE DETERIORATED AND LOST THEIR EFFECTIVENESS.

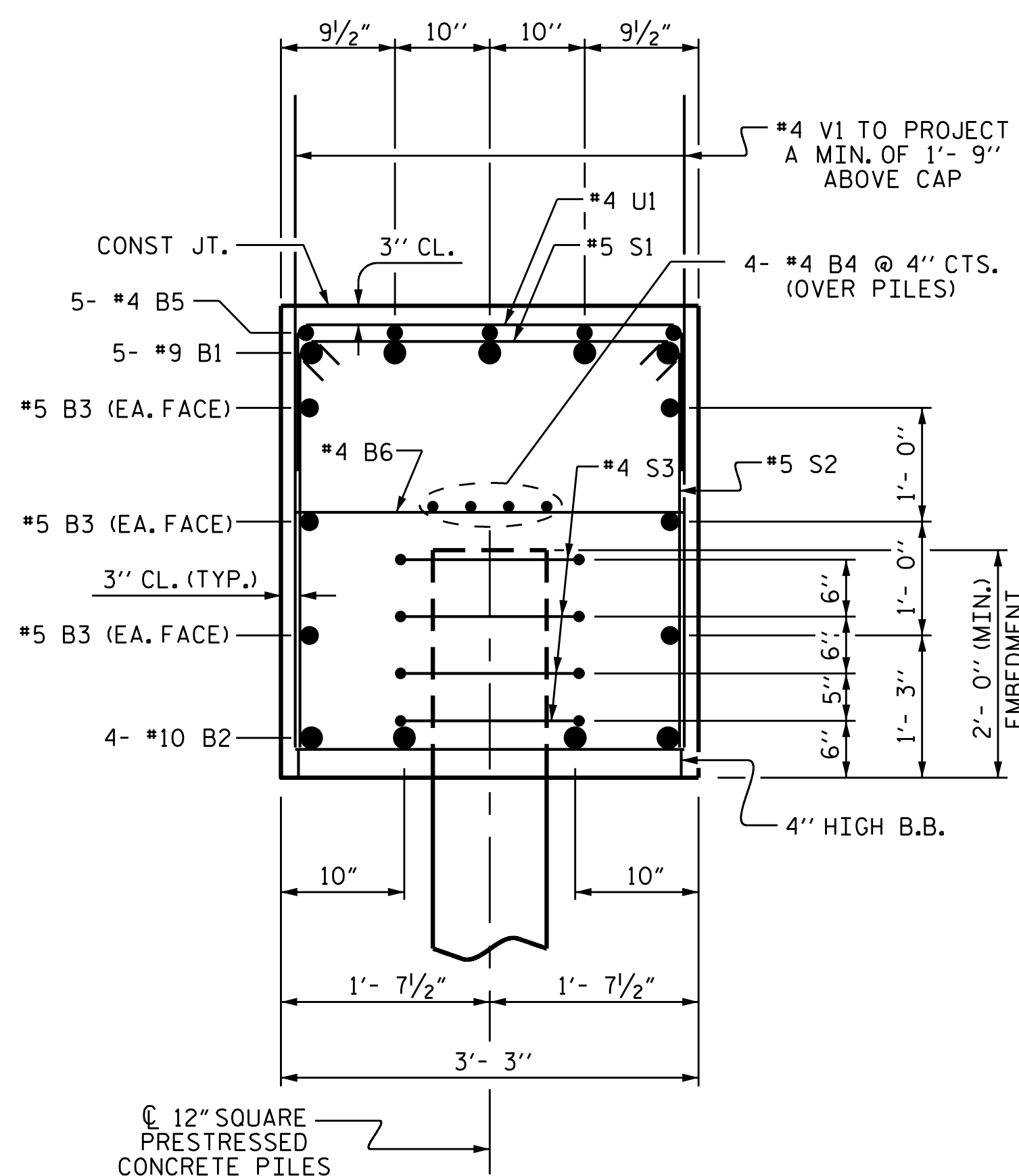
NO SEPARATE PAYMENT WILL BE MADE FOR THIS WORK AND THE ENTIRE COST OF THIS WORK SHALL BE INCLUDED IN THE UNIT CONTRACT PRICE BID FOR THE SEVERAL PAY ITEMS.

TEMPORARY DRAINAGE AT END BENT

BILL OF MATERIAL					
BAR	NO.	SIZE	TYPE	LENGTH	WEIGHT
* B1	5	9		42'- 5"	721
* B2	4	10		42'- 9"	736
* B3	6	5	STR	40'- 1"	251
* B4	4	4	STR	40'- 0"	107
* B5	5	4	STR	12'- 4"	41
* B6	10	4	STR	2'- 9"	18
* H1	36	5	6	11'- 1"	416
* H2	32	5	STR	12'- 8"	423
* K1	16	5	STR	2'- 6"	42
* S1	44	5	2	3'- 8"	168
* S2	44	5	4	10'- 11"	501
* S3	20	4	5	10'- 7"	141
* U1	9	4	3	6'- 1"	37
* V1	64	4	STR	5'- 8"	242
* V2	56	5	STR	7'- 10"	458
* EPOXY COATED REINFORCING STEEL					4302 LBS.
CLASS AA CONCRETE					
POUR 1: CAP & LOWER PART OF WINGS					22.4 C.Y.
POUR 2: UPPER PART OF WINGS					4.2 C.Y.
TOTAL					26.6 C.Y.



SECTION A-A



SECTION B-B

PROJECT NO. B-4593
PAMLICO COUNTY
 STATION: 17+02.00 -L-

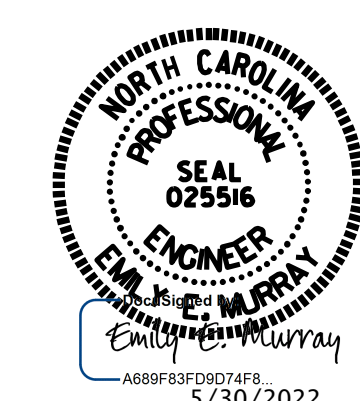
SHEET 3 OF 3

STATE OF NORTH CAROLINA
 DEPARTMENT OF TRANSPORTATION
 RALEIGH

**SUBSTRUCTURE
 INTEGRAL
 END BENT 1**

REVISIONS					
NO.	BY:	DATE:	NO.	BY:	DATE:
1			3		
2			4		

SHEET NO. S-30
 TOTAL SHEETS 42



VOLKERT

5430 Wade Park Blvd., Suite 410
 Raleigh, NC 27607
 Tel. 919-854-0344 Fax. 919-854-0355
 NC License No. F-0765

DRAWN BY: J.R. MCROY DATE: 11/18
 CHECKED BY: P.N. HOLDER DATE: 11/18
 DESIGN ENGINEER OF RECORD: J.R. MCROY DATE: 11/18

DOCUMENT NOT CONSIDERED FINAL UNLESS ALL SIGNATURES COMPLETED