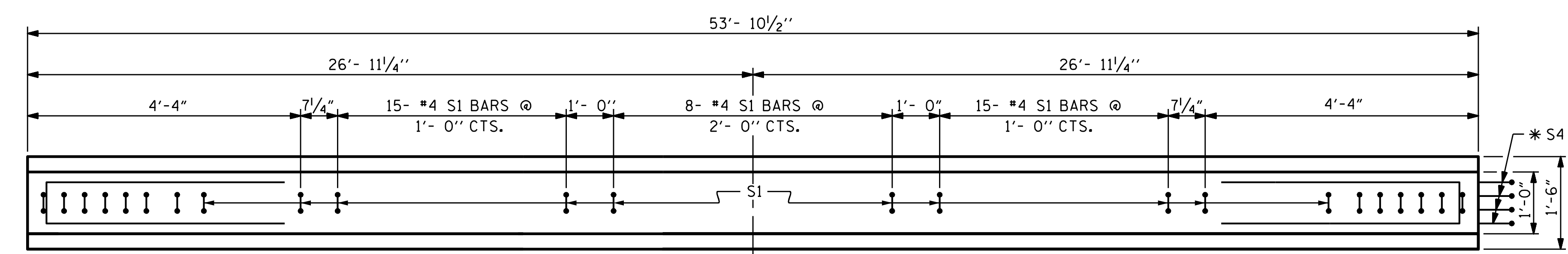
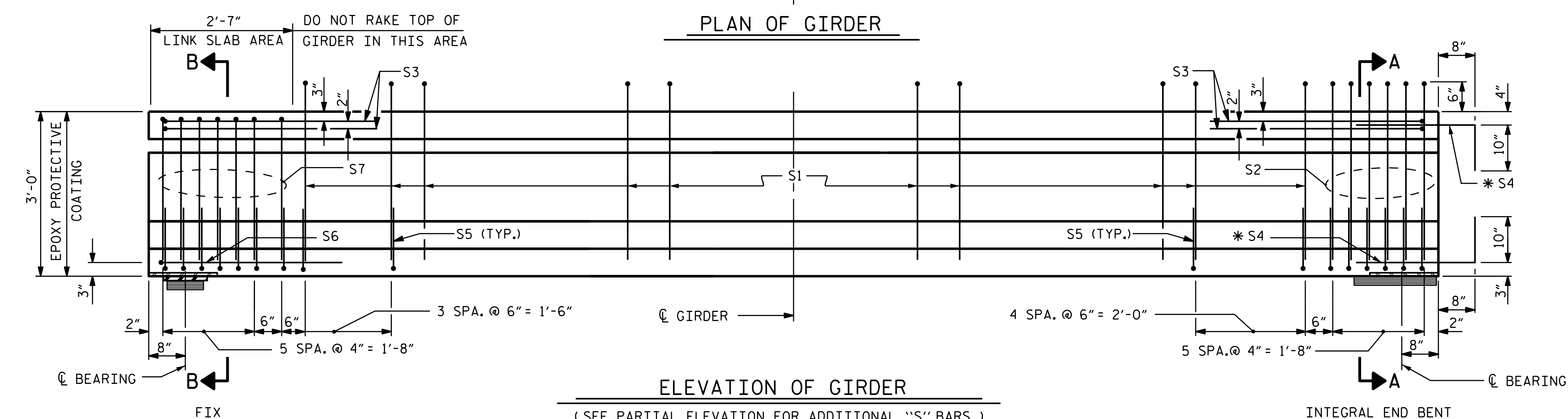


0.6" Ø LOW RELAXATION STRAND LAYOUT

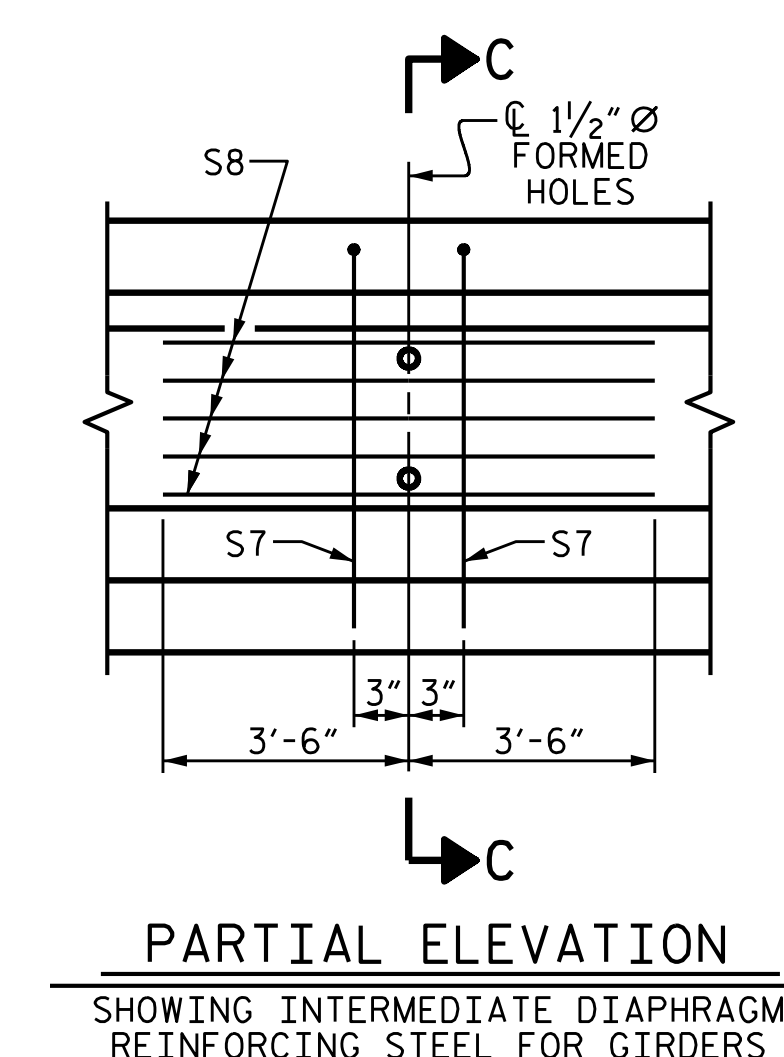
DEBONDING LEGEND
 ▲ STRANDS DEBONDED FOR 12'- 0" FROM END OF GIRDER



PLAN OF GIRDER



ELEVATION OF GIRDER
 (SEE PARTIAL ELEVATION FOR ADDITIONAL "S" BARS)



PARTIAL ELEVATION
 SHOWING INTERMEDIATE DIAPHRAGM REINFORCING STEEL FOR GIRDERS

0.6" Ø L. R. GRADE 270 STRANDS

AREA (SQUARE INCHES)	ULTIMATE STRENGTH (LBS. PER STRAND)	APPLIED PRESTRESS (LBS. PER STRAND)
0.217	58,600	43,950

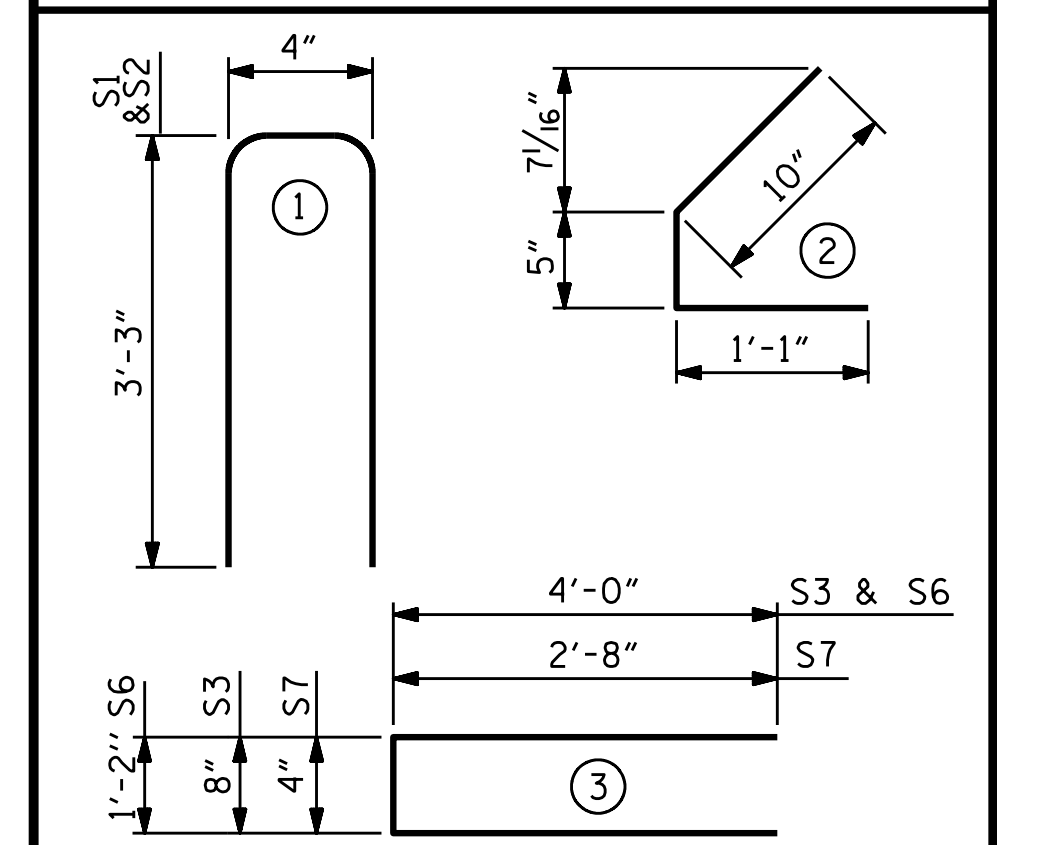
REINFORCING STEEL FOR ONE GIRDER

BAR	NUMBER	SIZE	TYPE	LENGTH	WEIGHT
S1	46	#4	1	6'-10"	210
S2	6	#5	1	6'-10"	43
S3	4	#4	3	8'-8"	23
*S4	6	#5	STR	3'-8"	23
S5	44	#4	2	2'-4"	69
S6	1	#4	3	9'-2"	6
S7	9	#5	3	5'-8"	53
S8	5	#4	STR	7'-0"	23

* NOTE: S4 BARS SHALL BE BENT BEFORE SHIPMENT. HEAT BENDING SHALL NOT BE ALLOWED.

BAR TYPES

ALL BAR DIMENSIONS ARE OUT-TO-OUT



QUANTITIES FOR ONE GIRDER

REINFORCING STEEL (LBS.)	7500 PSI CONCRETE (C.Y.)	0.6" Ø L. R. STRANDS (No.)
450	5.1	26

GIRDERS REQUIRED

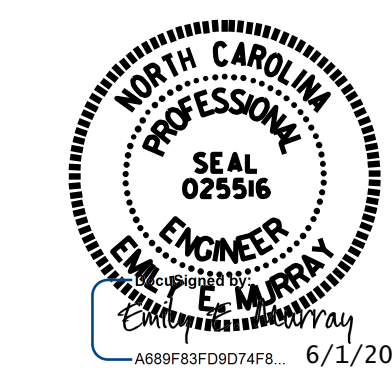
NUMBER	LENGTH	TOTAL LENGTH
4	53'- 10 1/2"	215'- 6"

PROJECT NO. B-4593
PAMLICO COUNTY
 STATION: 17+02.00 -L-

STATE OF NORTH CAROLINA
 DEPARTMENT OF TRANSPORTATION
 RALEIGH
 STANDARD
 AASHTO TYPE II
 PRESTRESSED CONCRETE GIRDER
 LINK SLAB
 (SPAN C)

ASSEMBLED BY : D. A. GLADDEN	DATE : 11/18
CHECKED BY : D. R. SMITH	DATE : 11/18
DESIGN ENGINEER OF RECORD : D. R. SMITH	DATE : 11/18
DRAWN BY : ELR 8/91	MAA/GM
CHECKED BY : GRP 8/91	REV. 1/15 MAA/TMG
	REV. 12/17 MAA/THC

VOLKERT
 5430 Wade Park Blvd., Suite 410
 Raleigh, NC 27607
 Tel. 919-854-0344 Fax. 919-854-0355
 NC License No. F-0765



DOCUMENT NOT CONSIDERED FINAL UNLESS ALL SIGNATURES COMPLETED

REVISIONS						SHEET NO. S-17
NO.	BY:	DATE:	NO.	BY:	DATE:	
1			3			TOTAL SHEETS 42
2			4			