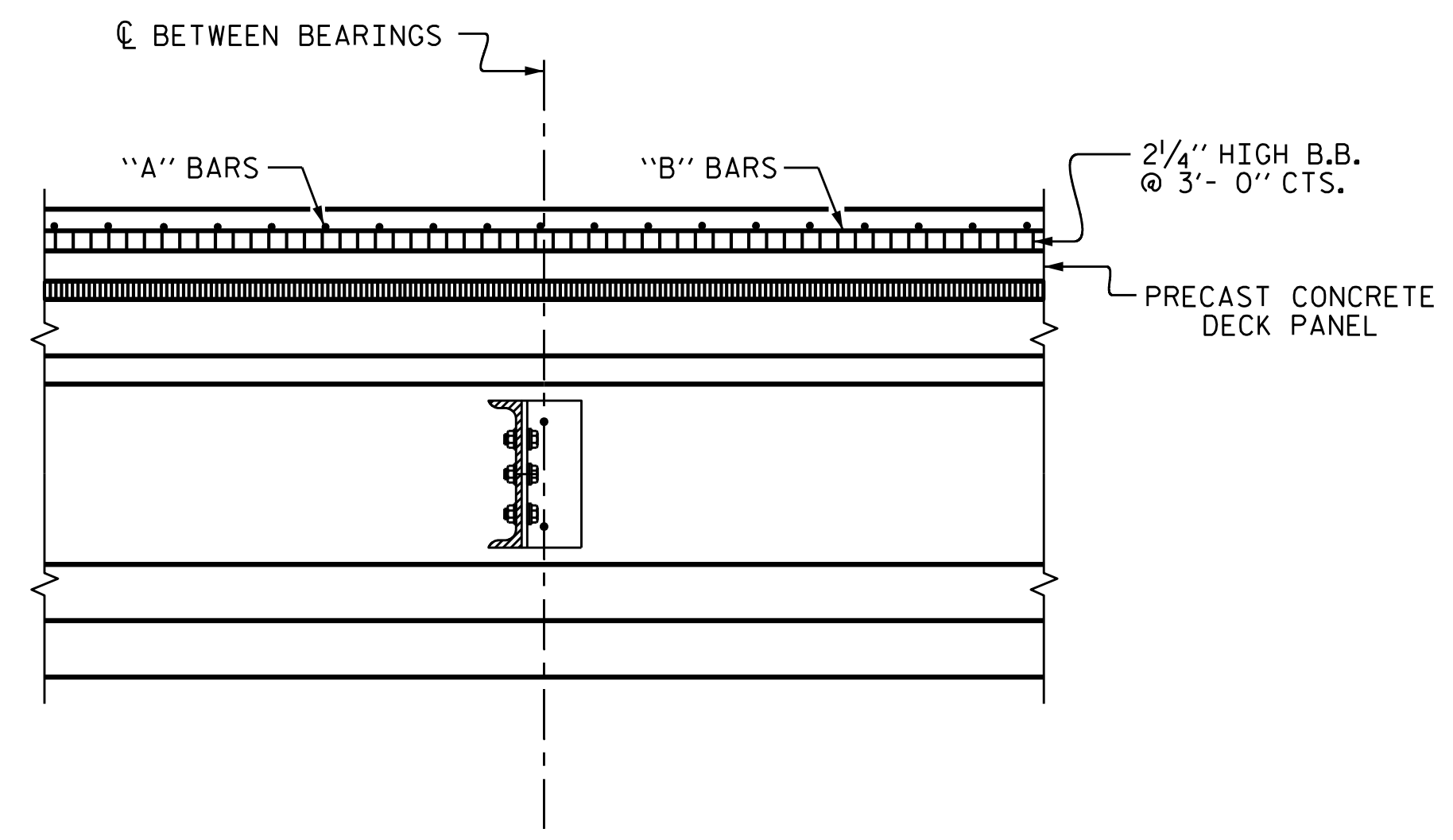


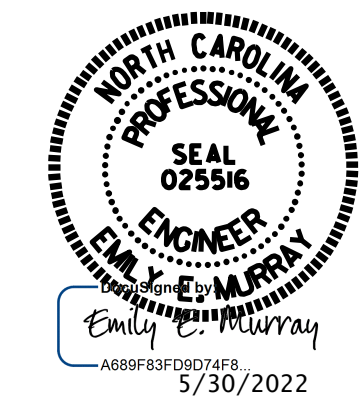
TYPICAL SECTION AT INTERMEDIATE DIAPHRAGM



SECTION THRU INTERMEDIATE DIAPHRAGM

PROJECT NO. B-4593
PAMLICO COUNTY
 STATION: 17+02.00 -L-

SHEET 3 OF 3
 STATE OF NORTH CAROLINA
 DEPARTMENT OF TRANSPORTATION
 RALEIGH
 SUPERSTRUCTURE
 TYPICAL SECTION



VOLKERT
 5430 Wade Park Blvd., Suite 410
 Raleigh, NC 27607
 Tel. 919-854-0344 Fax. 919-854-0355
 NC License No. F-0765

DOCUMENT NOT CONSIDERED
 FINAL UNLESS ALL
 SIGNATURES COMPLETED

REVISIONS						SHEET NO.
NO.	BY:	DATE:	NO.	BY:	DATE:	S-7
1			3			TOTAL SHEETS
2			4			42

DRAWN BY: D. A. GLADDEN DATE: 11/18
 CHECKED BY: D. R. SMITH DATE: 11/18
 DESIGN ENGINEER OF RECORD: D. R. SMITH DATE: 11/18