

PROJECT REFERENCE NO. B-4593	SHEET NO. EC-6/CONST. 6
R/W SHEET NO.	
ROADWAY DESIGN ENGINEER	HYDRAULICS ENGINEER

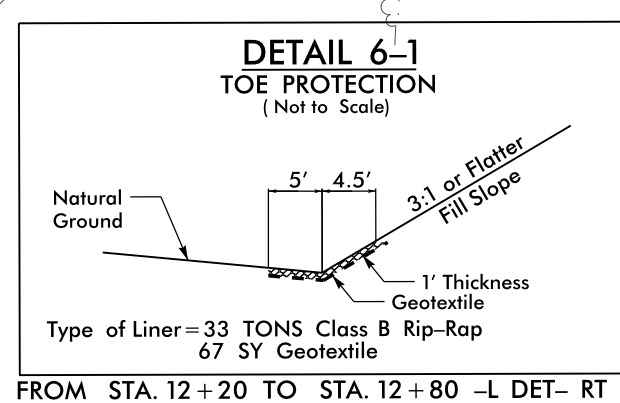
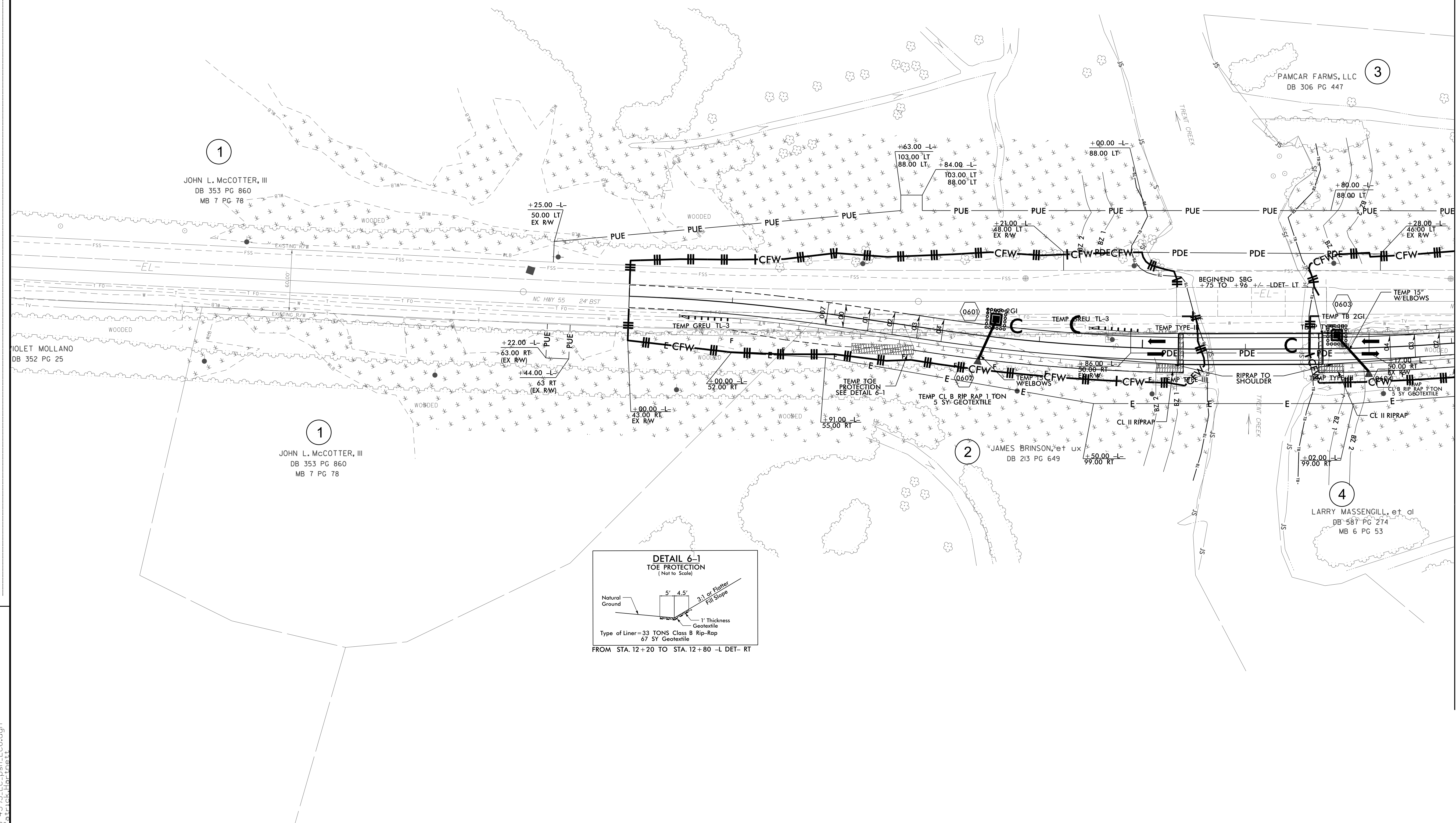
- NOTE: UTILIZE FLOATING TURBIDITY CURTAIN AS DIRECTED
- NOTE: UTILIZE COIR FIBER MATTING ADJACENT TO WETLANDS/ JURISDICTIONAL AREAS, AND AS DIRECTED
- NOTE: UTILIZE TEMPORARY SEDIMENT BASIN OR SPECIAL STILLING BASIN(S) AS STILLING BASIN WHERE APPLICABLE.
- INSTALL MATTING FOR EROSION CONTROL IN ALL PROPOSED DETAIL DITCHES.
- PLACE MATTING FOR EROSION CONTROL ON SLOPES ADJACENT TO PERMITTED WETLANDS AS WORK ALLOWS

DETOUR

SITE 1



REVISIONS



MATCHLINE -L- STA 19+00.00 (SEE SHEET 5)

8/17/99

11-APR-2019 08:30
B-4593-EC-pah-EC6.dgn
c:\work\11-11-11