

Kimley Horn  
 421 FAYETTEVILLE STREET, SUITE 600  
 RALEIGH, NC 27601

PROJECT REFERENCE NO. U-5815BA  
 SHEET NO. UC-3B

DESIGNED BY: NLH  
 DRAWN BY: JNB  
 CHECKED BY: CPM  
 APPROVED BY: NLH  
 REVISED:

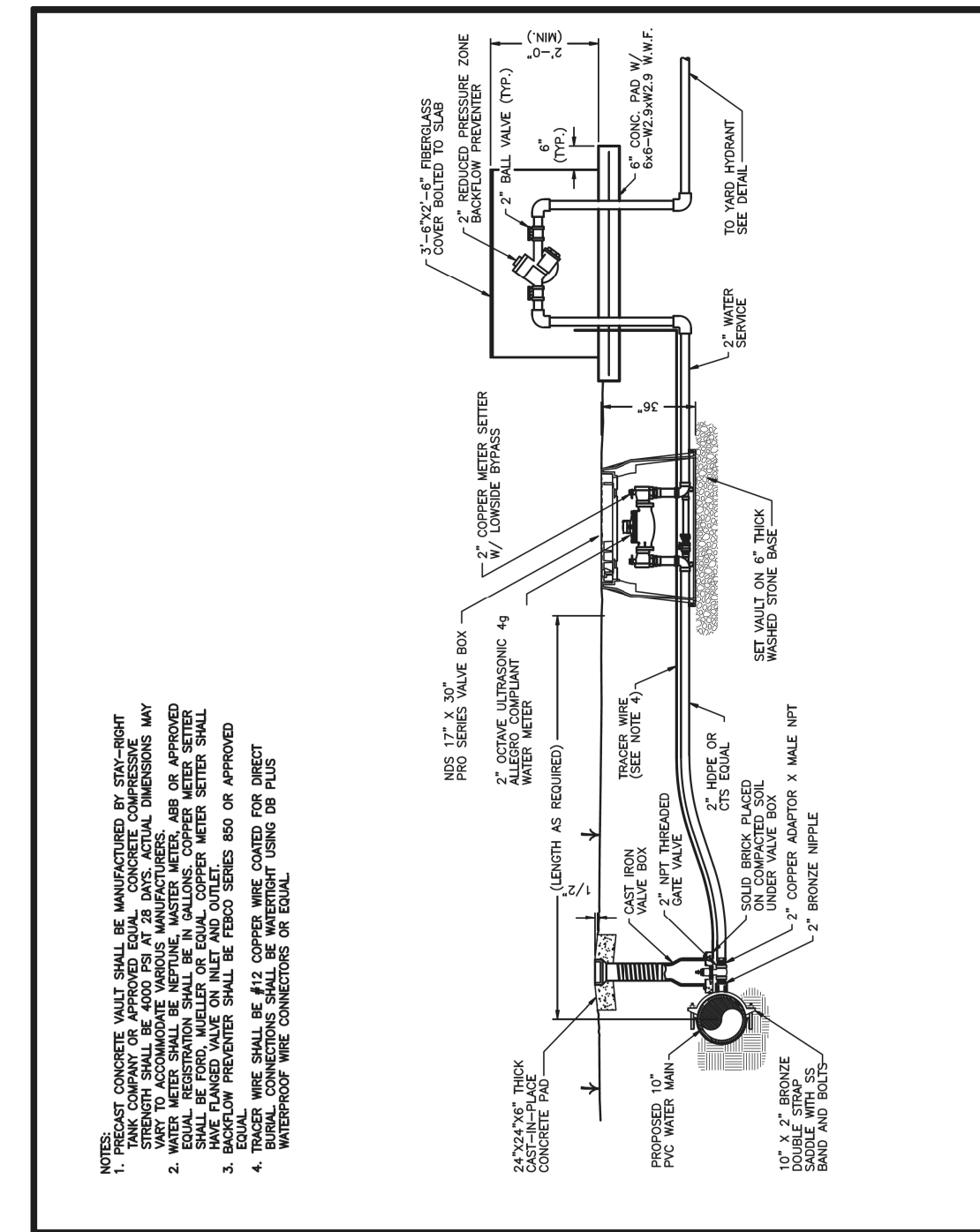
NORTH CAROLINA  
 DEPARTMENT OF  
 TRANSPORTATION

UTILITIES ENGINEERING SEC.  
 PHONE: (919) 707-6690  
 FAX: (919) 250-4151

STANDARD DETAILS  
 DESIGNED BY  
 TOWN OF ABERDEEN

UTILITY CONSTRUCTION  
 PLANS ONLY

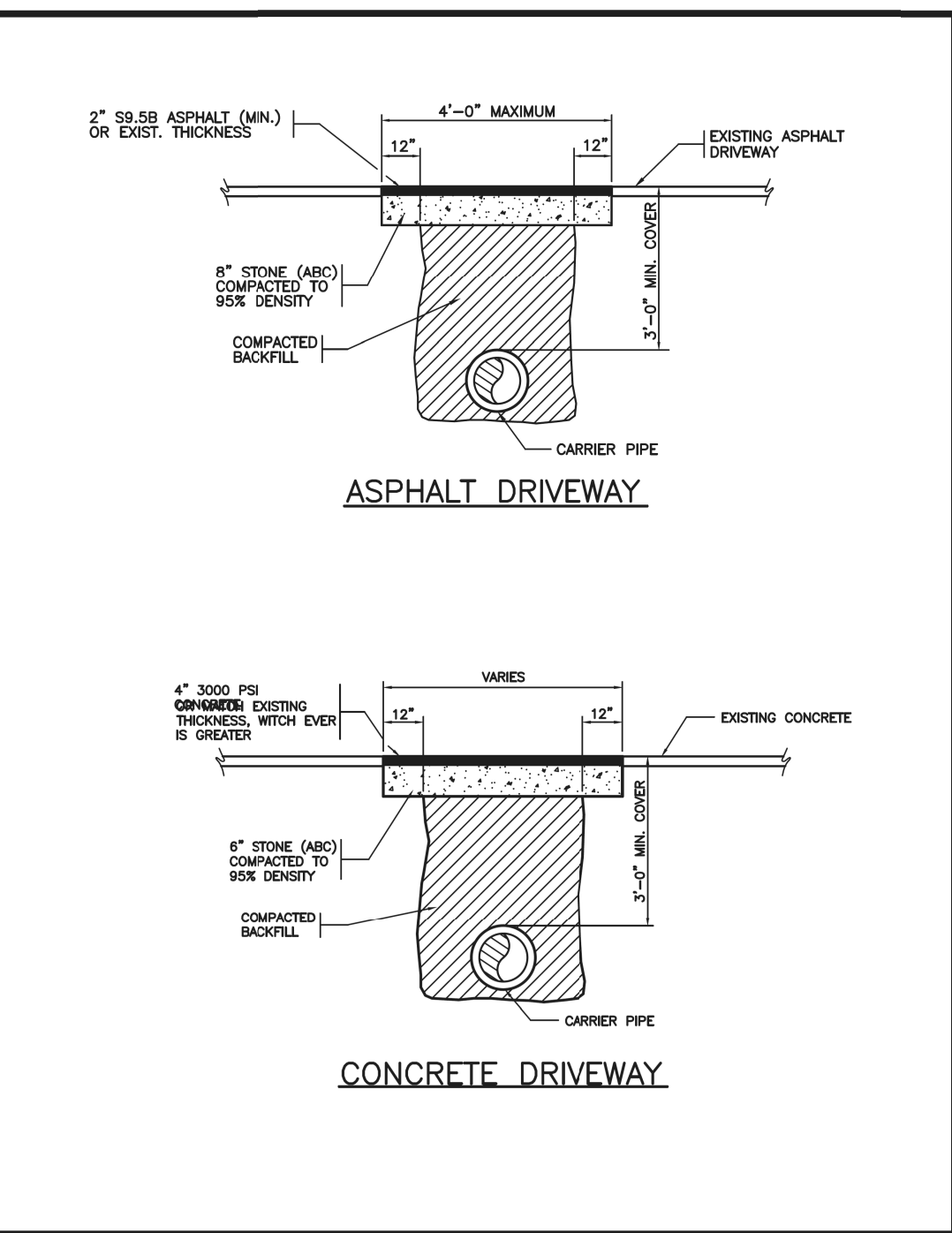
### UTILITY CONSTRUCTION



WATER SYSTEM DETAILS  
 FOR THE TOWN OF ABERDEEN  
 MOORE COUNTY, NORTH CAROLINA

2 Inch Water Service With Backflow Preventer

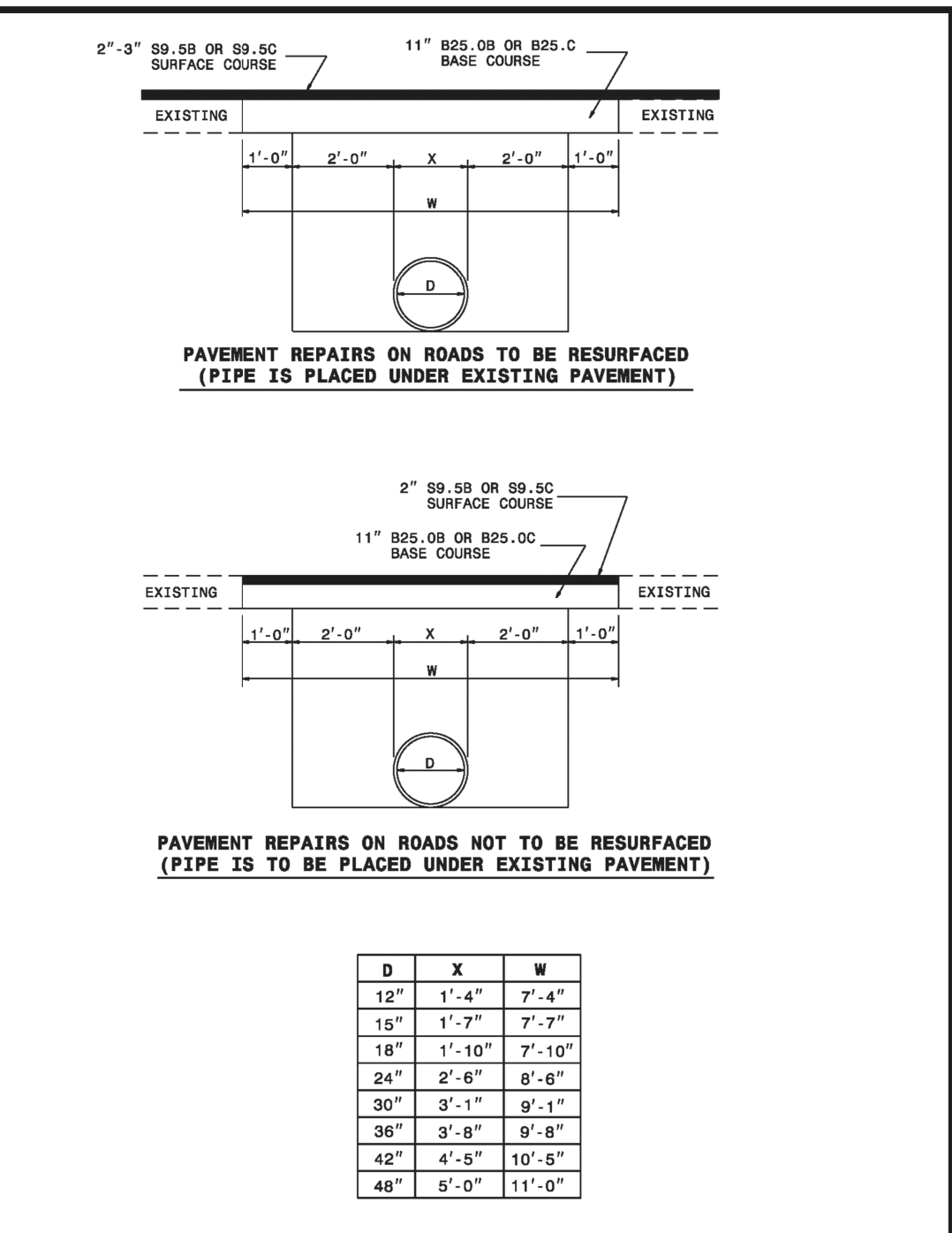
W.11



WATER SYSTEM DETAILS  
 FOR THE TOWN OF ABERDEEN  
 MOORE COUNTY, NORTH CAROLINA

Town Streets Open Cut And Patch Detail

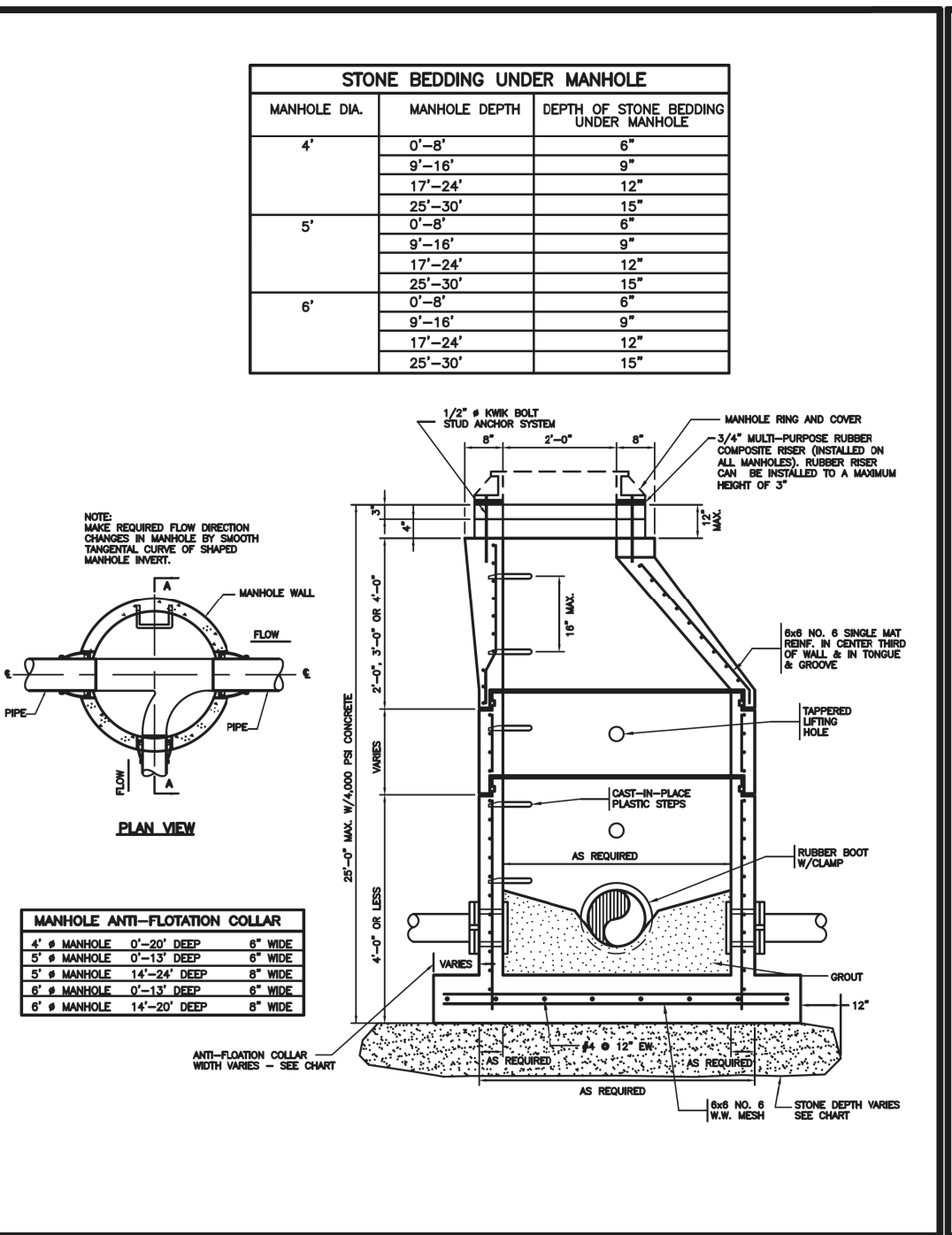
W.14



WATER SYSTEM DETAILS  
 FOR THE TOWN OF ABERDEEN  
 MOORE COUNTY, NORTH CAROLINA

NCDOT Open Cut And Patch At Crossings And Intersections

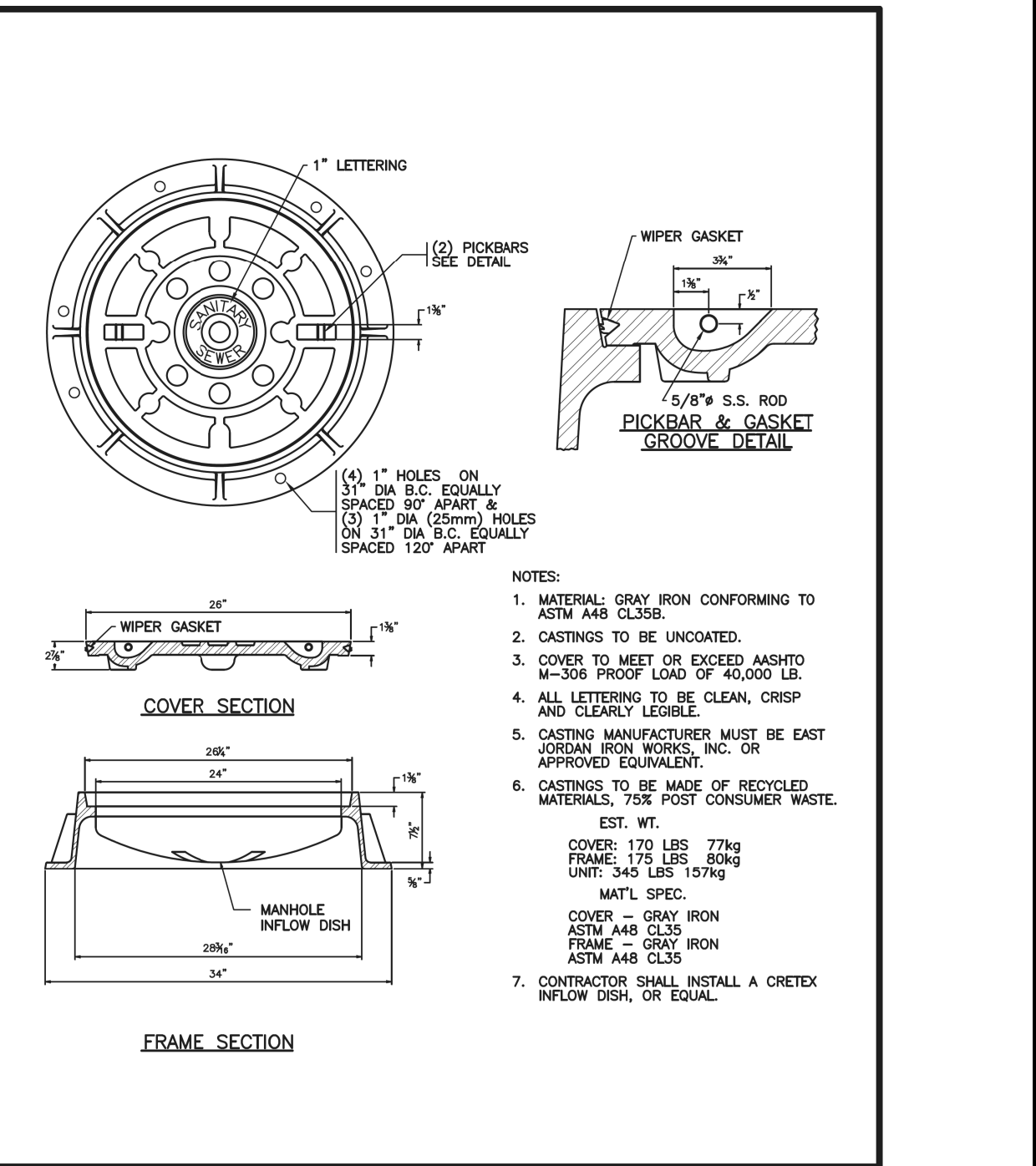
W.15



SEWER SYSTEM DETAILS  
 FOR THE TOWN OF ABERDEEN  
 MOORE COUNTY, NORTH CAROLINA

Precast Manhole Detail

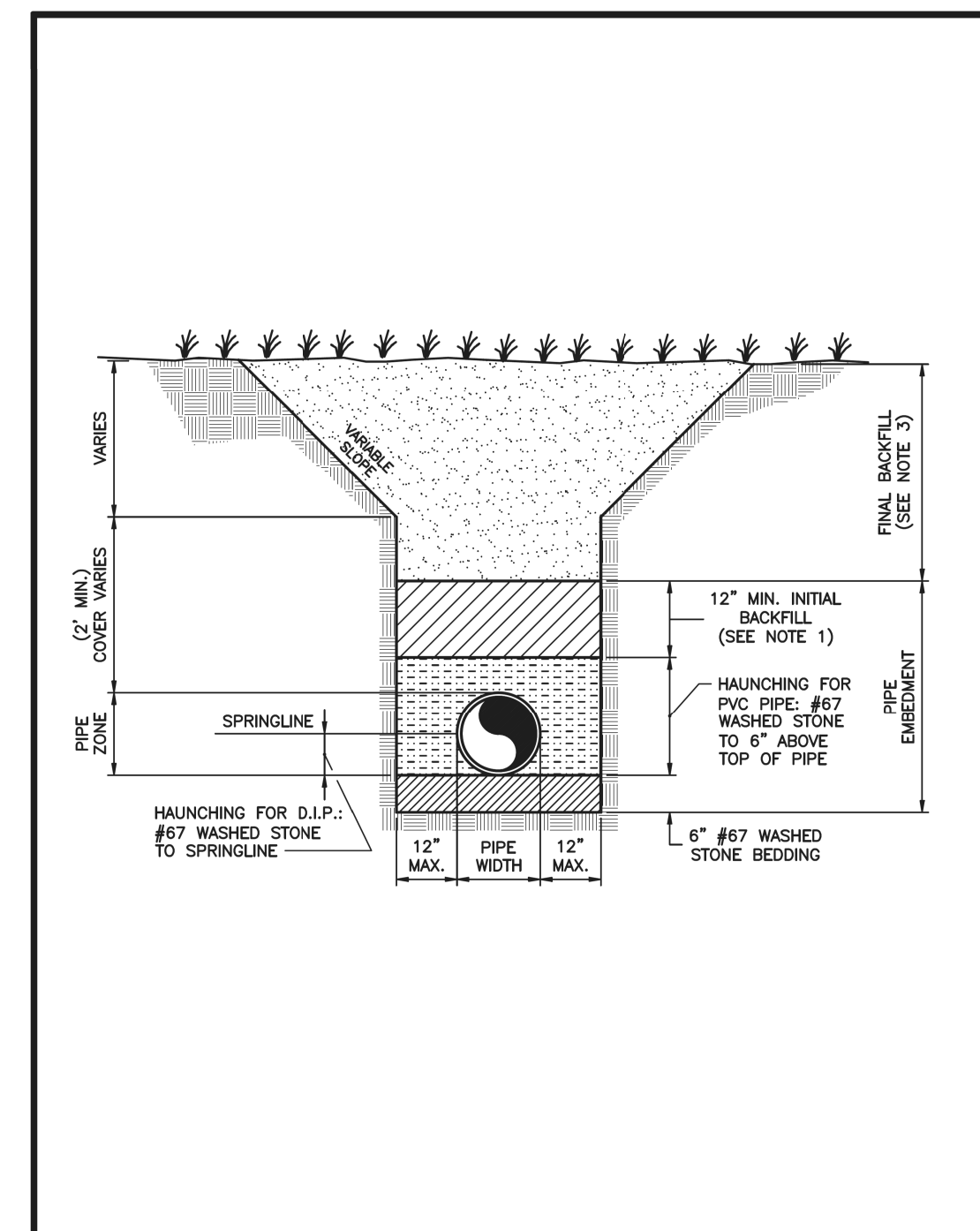
S.1



SEWER SYSTEM DETAILS  
 FOR THE TOWN OF ABERDEEN  
 MOORE COUNTY, NORTH CAROLINA

Heavy Duty Watertight Manhole Ring And Cover Detail

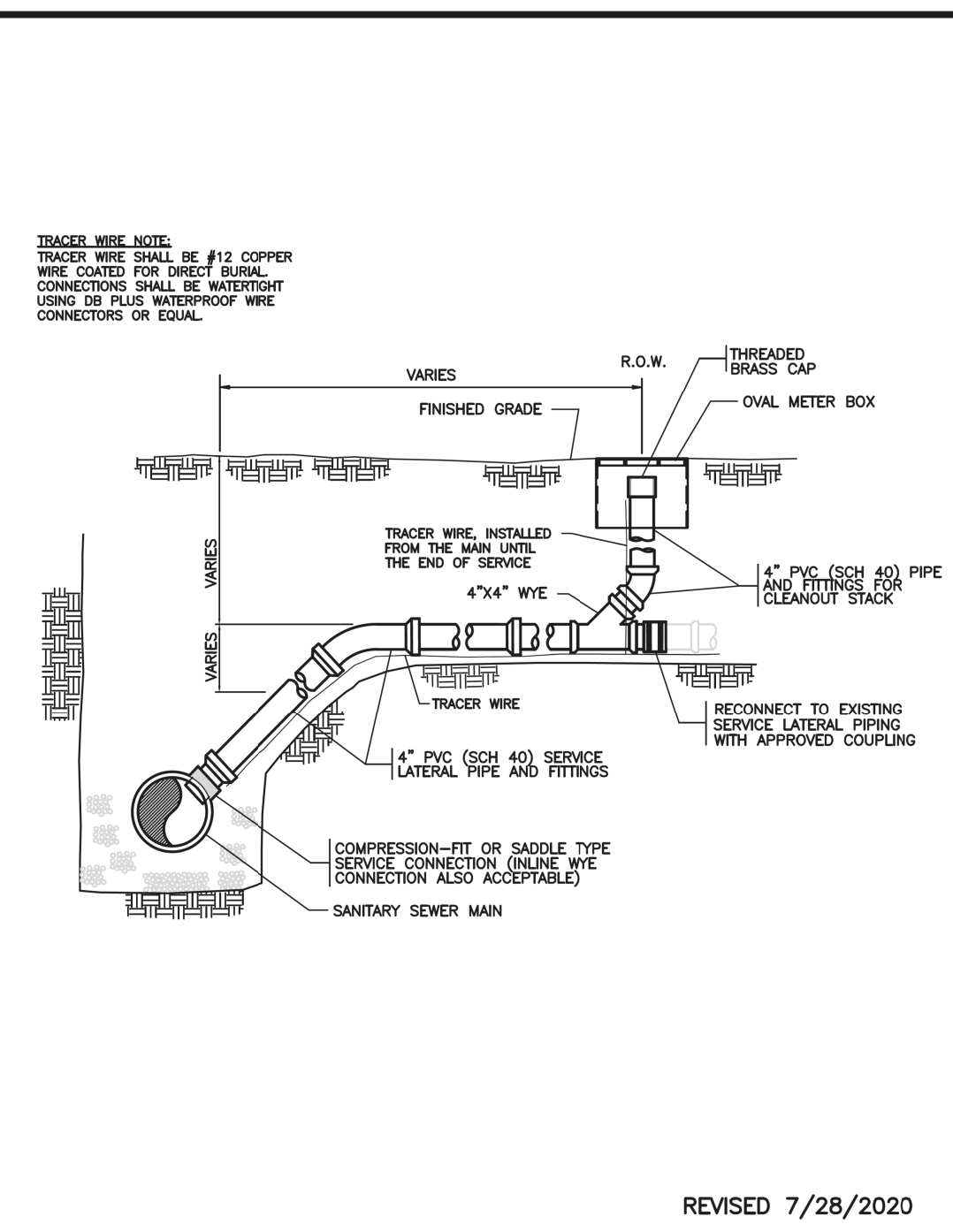
S.4



SEWER SYSTEM DETAILS  
 FOR THE TOWN OF ABERDEEN  
 MOORE COUNTY, NORTH CAROLINA

Gravity Sewer Main Trench Detail

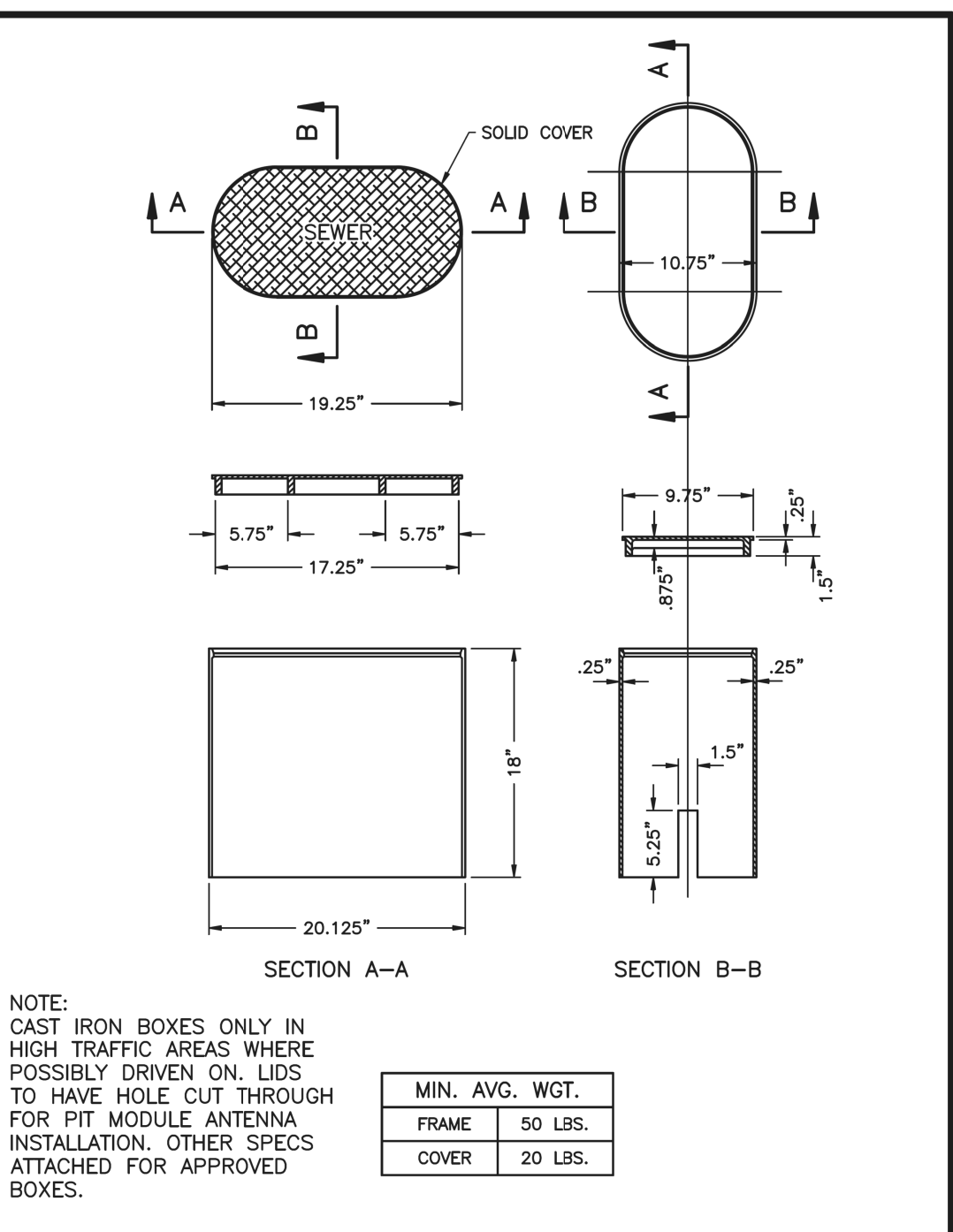
S.5



SEWER SYSTEM DETAILS  
 FOR THE TOWN OF ABERDEEN  
 MOORE COUNTY, NORTH CAROLINA

Service Lateral Detail

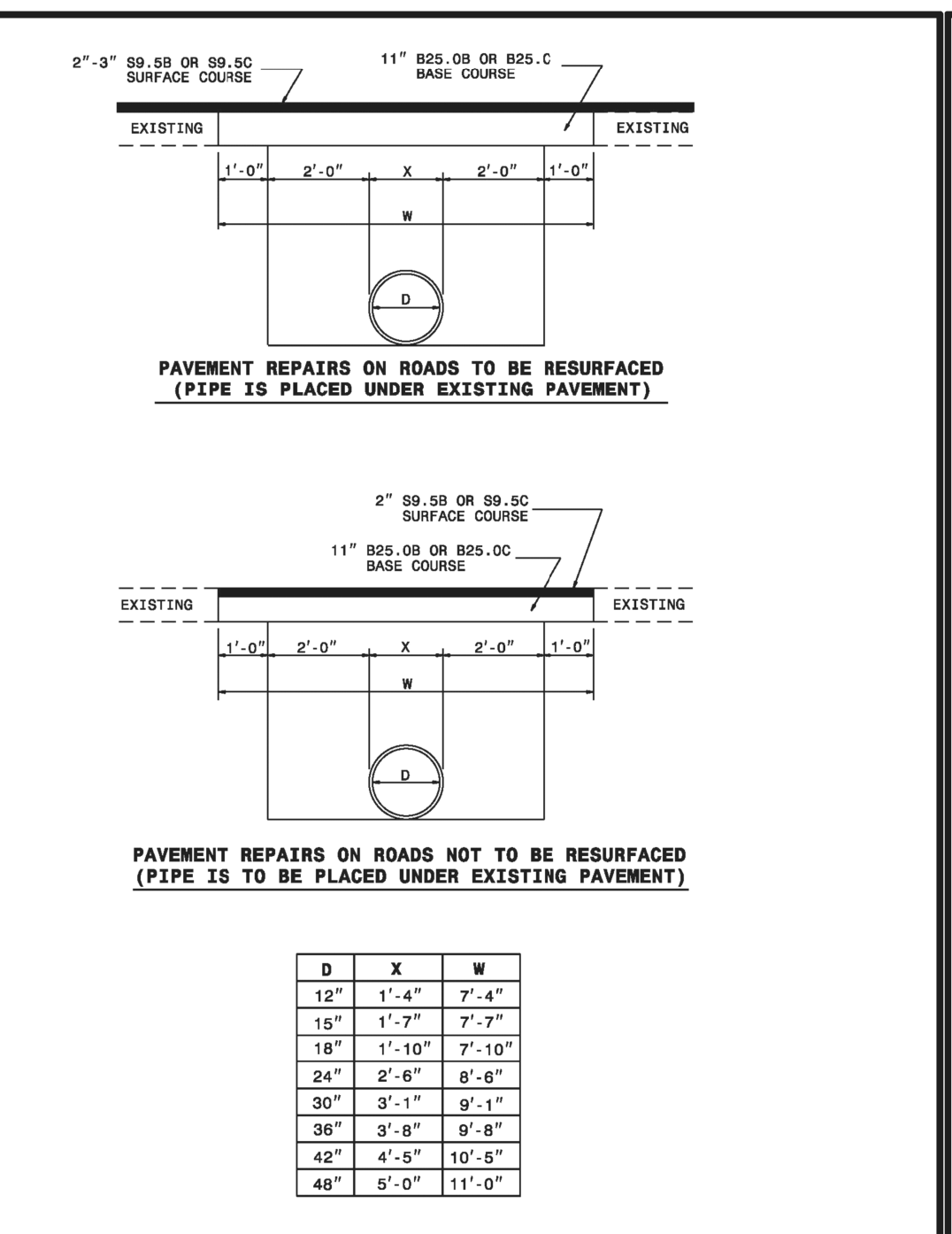
S.7



SEWER SYSTEM DETAILS  
 FOR THE TOWN OF ABERDEEN  
 MOORE COUNTY, NORTH CAROLINA

Sewer Cleanout Box Detail

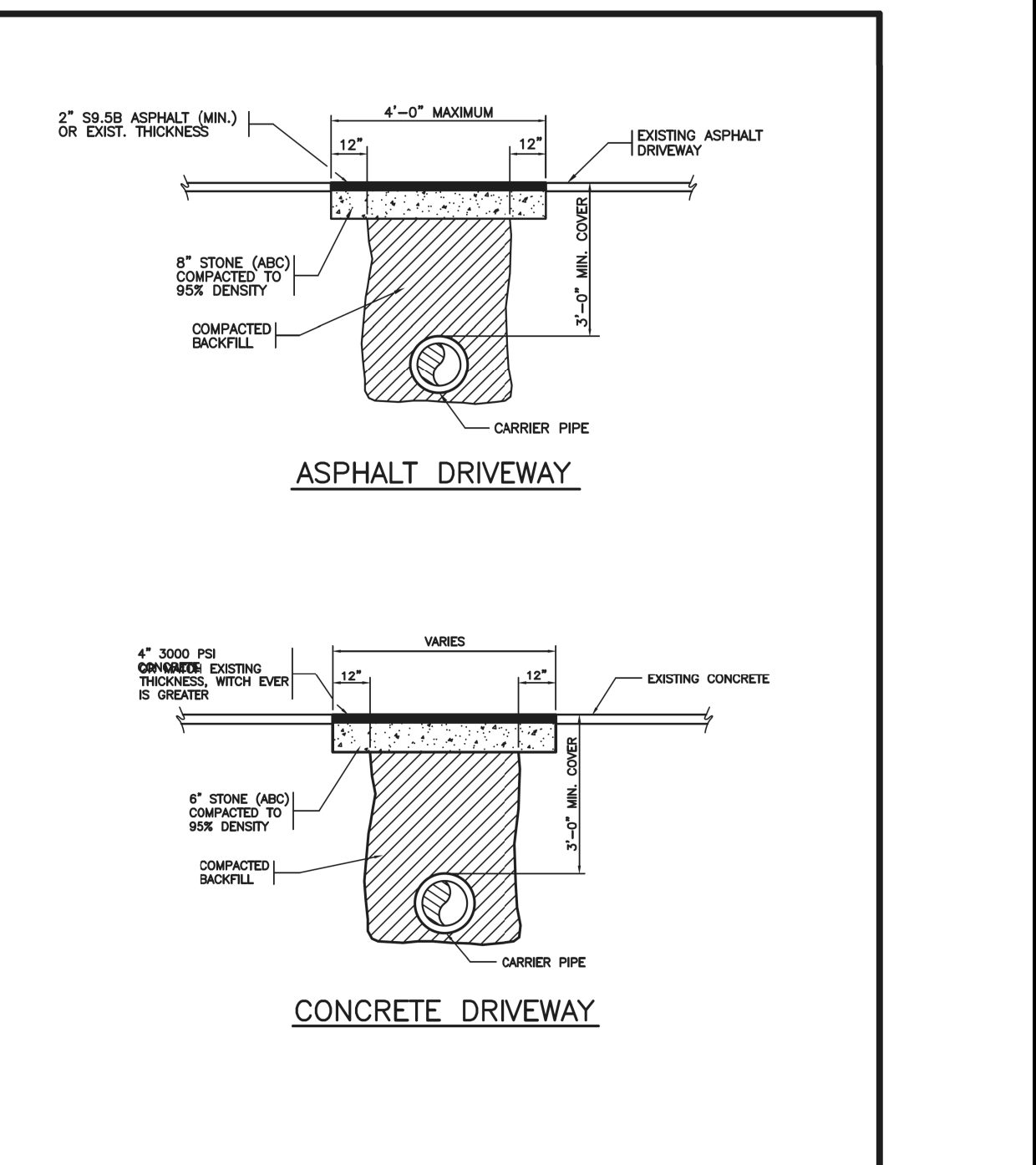
S.8



SEWER SYSTEM DETAILS  
 FOR THE TOWN OF ABERDEEN  
 MOORE COUNTY, NORTH CAROLINA

NCDOT Open Cut And Patch At Crossing And Intersections

S.18



SEWER SYSTEM DETAILS  
 FOR THE TOWN OF ABERDEEN  
 MOORE COUNTY, NORTH CAROLINA

Town Streets Open Cut And Patch Detail

S.19