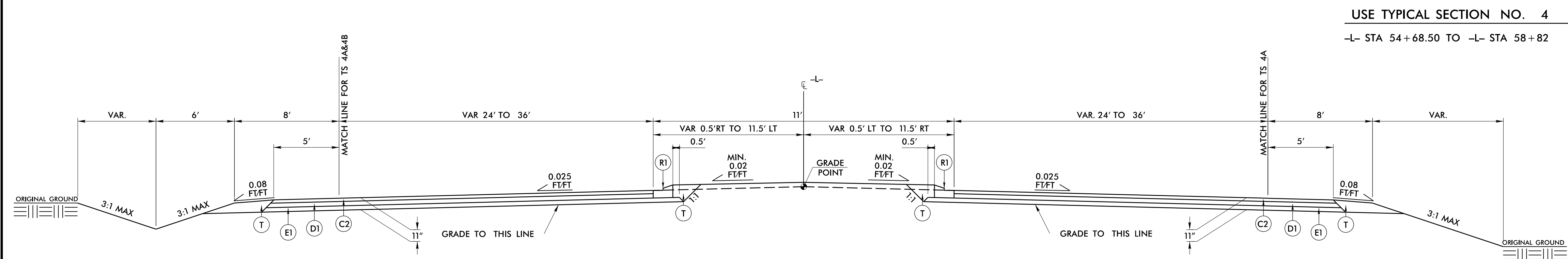


6/2/99

REVISIONS

PROJECT REFERENCE NO. U-6223	SHEET NO. 2A-2
ROADWAY DESIGN ENGINEER 06/09/2022 SEAL 040774 NORWOOD A. GAINY III	PAVEMENT DESIGN ENGINEER 06/09/2022 SEAL 040774 NORWOOD A. GAINY III

DOCUMENT NOT CONSIDERED FINAL
UNLESS ALL SIGNATURES COMPLETED

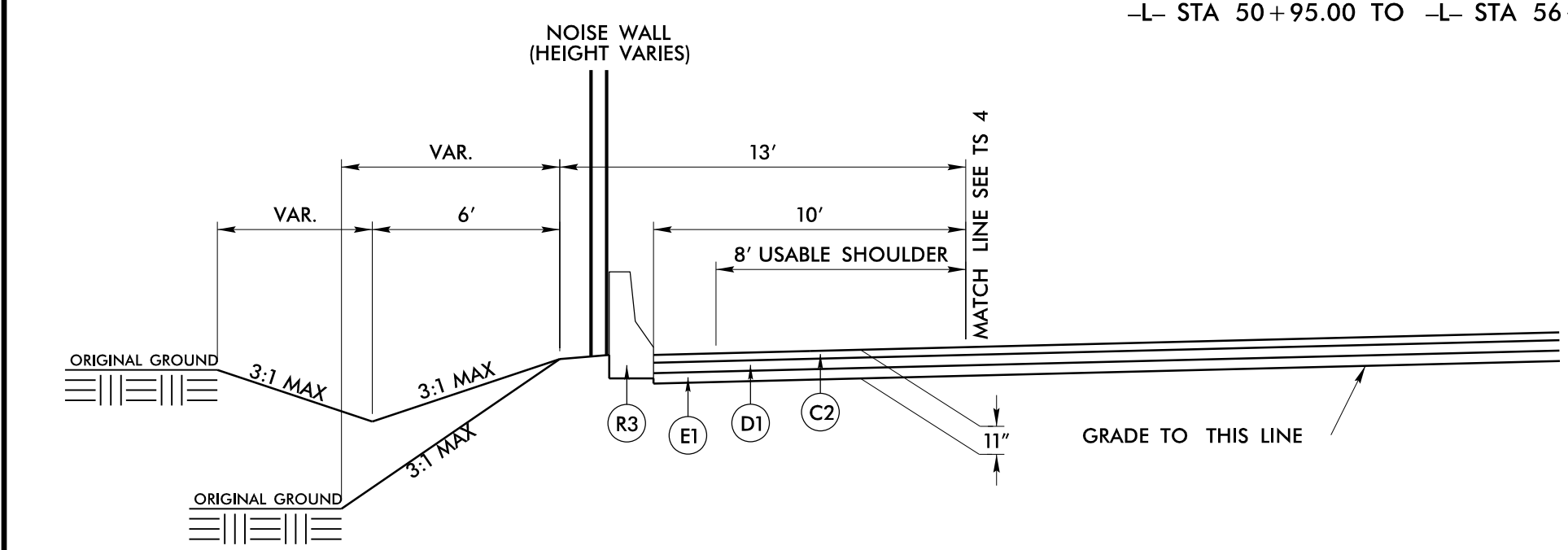


TYPICAL SECTION NO. 4

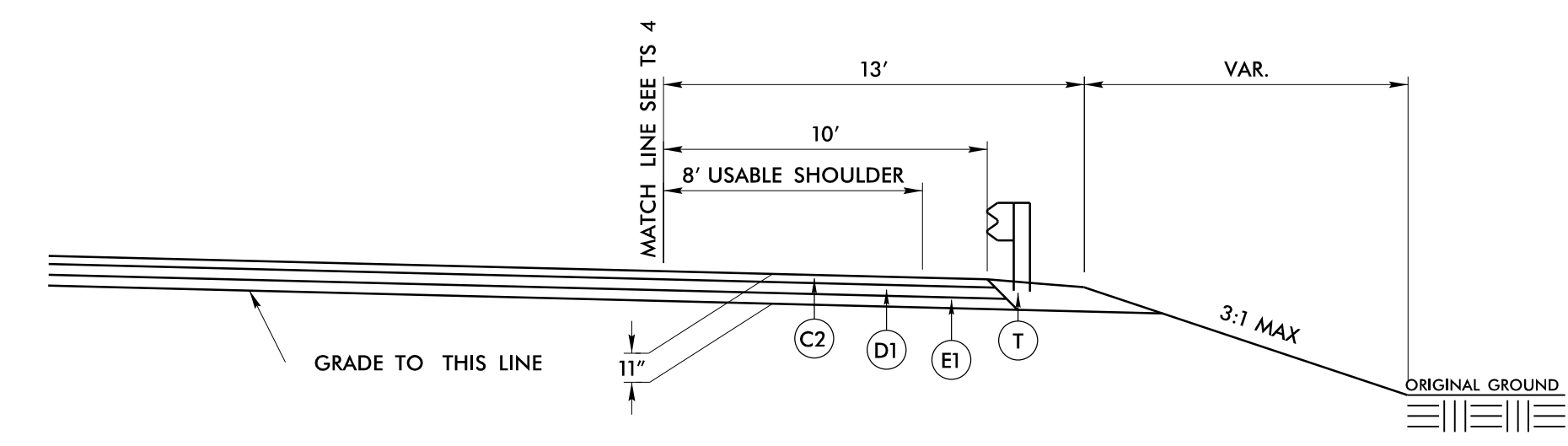
USE TYPICAL SECTION NO. 4B IN CONJUNCTION WITH TYPICAL SECTIONS NO. 3 & 4
-L- STA 50+95.00 TO -L- STA 56+42.59 LEFT

USE TYPICAL SECTION NO. 4
-L- STA 54+68.50 TO -L- STA 58+82

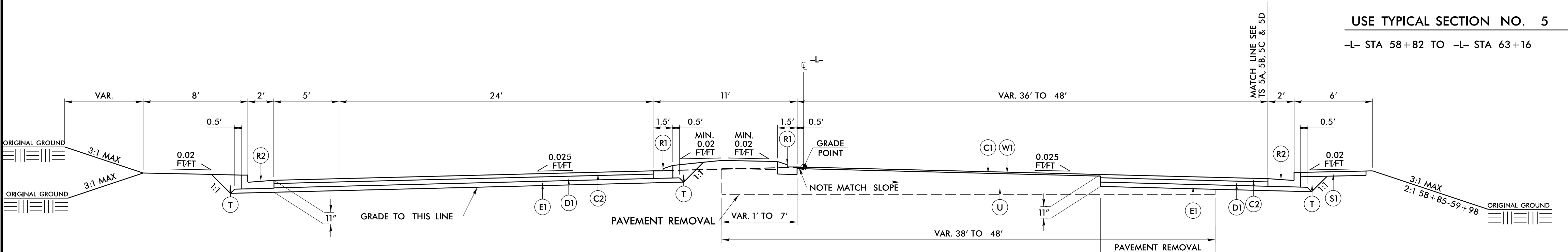
USE TYPICAL SECTION NO. 4A IN CONJUNCTION WITH TYPICAL SECTIONS NO. 3 & 4
-L- STA 52+70.00 TO -L- STA 56+01.25 RIGHT
-L- STA 56+42.59 TO -L- STA 58+28.84 LEFT



TYPICAL SECTION NO. 4B



TYPICAL SECTION NO. 4A



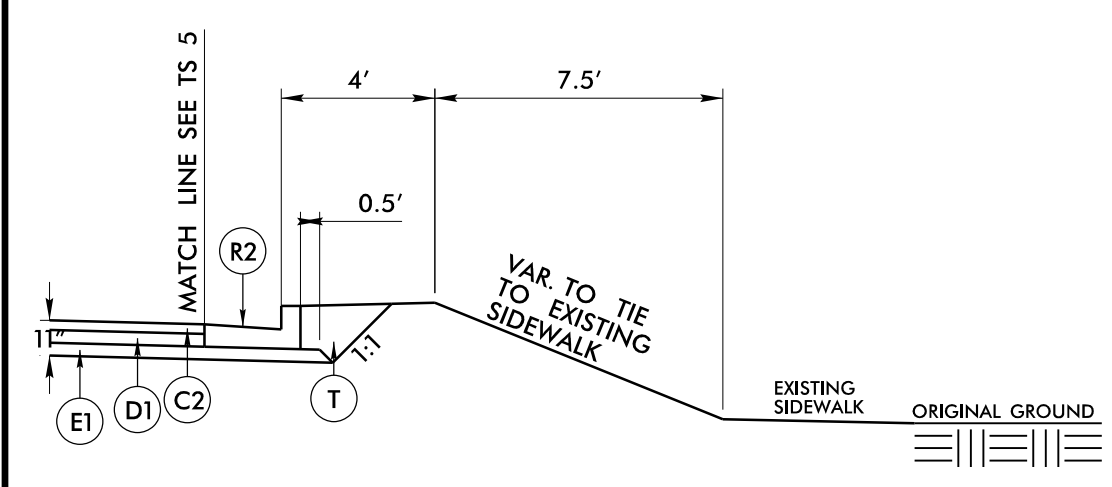
TYPICAL SECTION NO. 5

USE TYPICAL SECTION NO. 5A IN CONJUNCTION WITH TYPICAL SECTIONS NO. 5
-L- STA 60+33 TO -L- STA 60+93

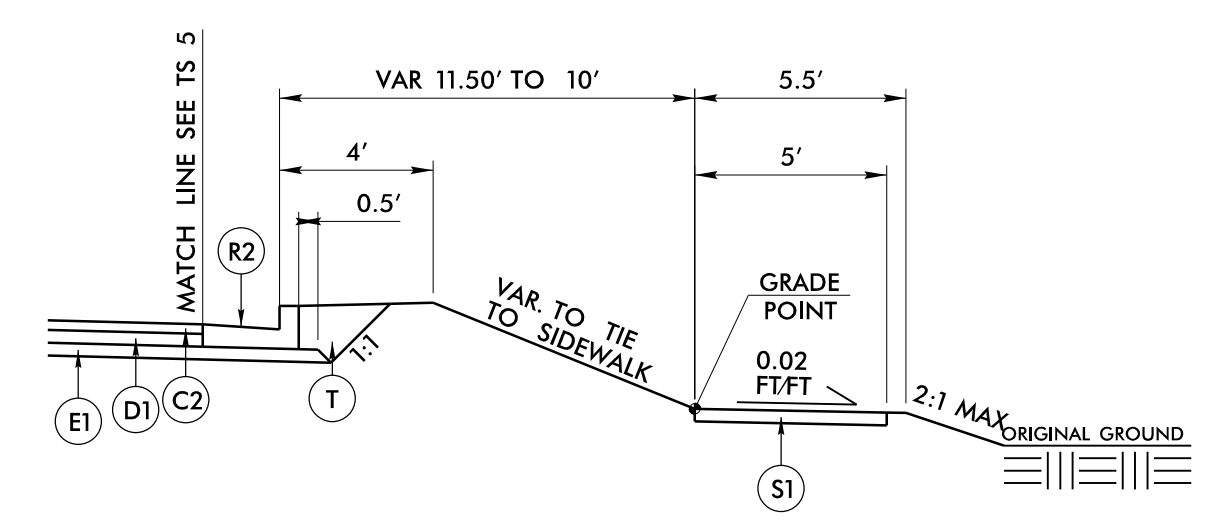
USE TYPICAL SECTION NO. 5B IN CONJUNCTION WITH TYPICAL SECTIONS NO. 5
-L- STA 60+93 TO -L- STA 61+25

USE TYPICAL SECTION NO. 5C IN CONJUNCTION WITH TYPICAL SECTIONS NO. 5
-L- STA 61+25 TO -L- STA 61+93.67

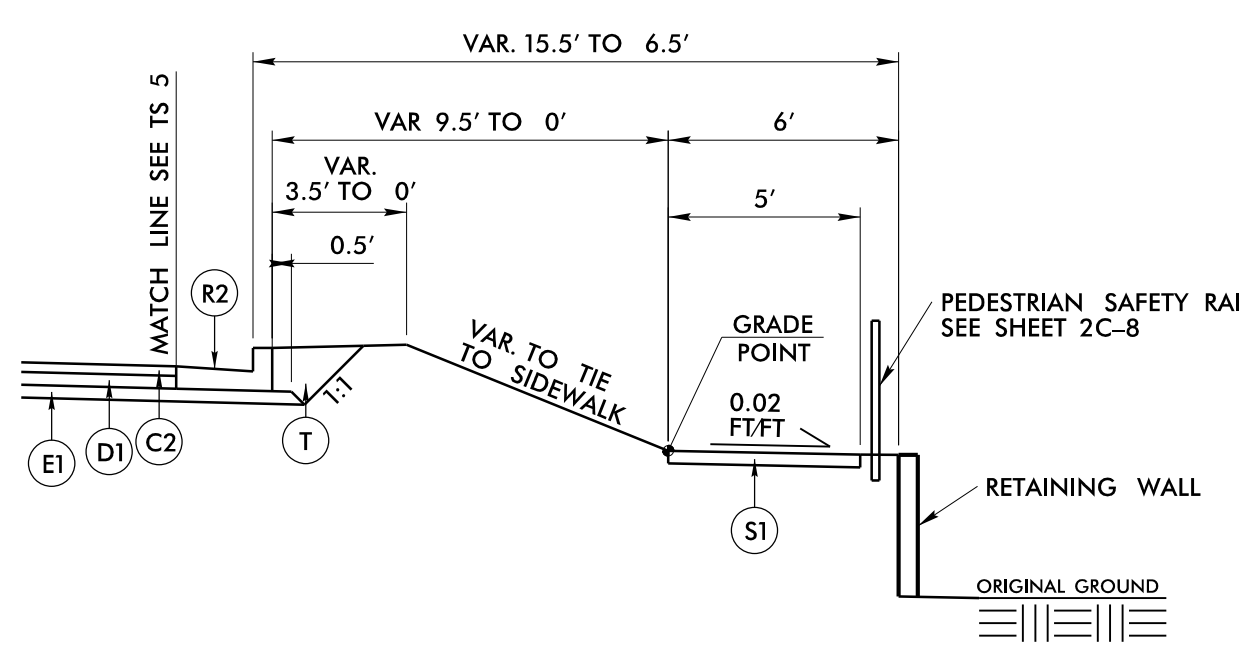
USE TYPICAL SECTION NO. 5D IN CONJUNCTION WITH TYPICAL SECTIONS NO. 5
-L- STA 61+93.67 TO -L- STA 62+55



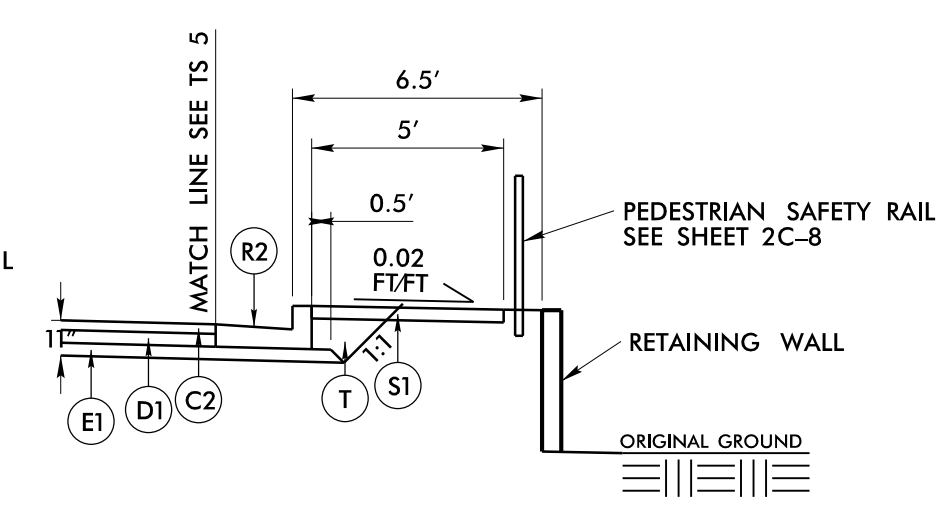
TYPICAL SECTION NO. 5A



TYPICAL SECTION NO. 5B



TYPICAL SECTION NO. 5C



TYPICAL SECTION NO. 5D

PAVEMENT SCHEDULE

C1	1.5" S9.5C
C2	3" S9.5C
C3	VAR S9.5C
D1	4" I19.0C
D2	VAR I19.0C
E1	4" B25.0C
E2	VAR B25.0C
R1	1'-6" C&G
R2	2'-6" C&G
R3	SFCB
S1	SIDEWALK
T	EARTH MATERIAL
U	EXIST. PAVEMENT
W1	WEDGING

NOTE: PAVEMENT EDGE SLOPES ARE 1:1 UNLESS SHOWN OTHERWISE.

09-JUN-2022 09:48
R:\Roadway\PROJECTS\U-6223\cde4-TYP.dgn
Division 4 - DDC