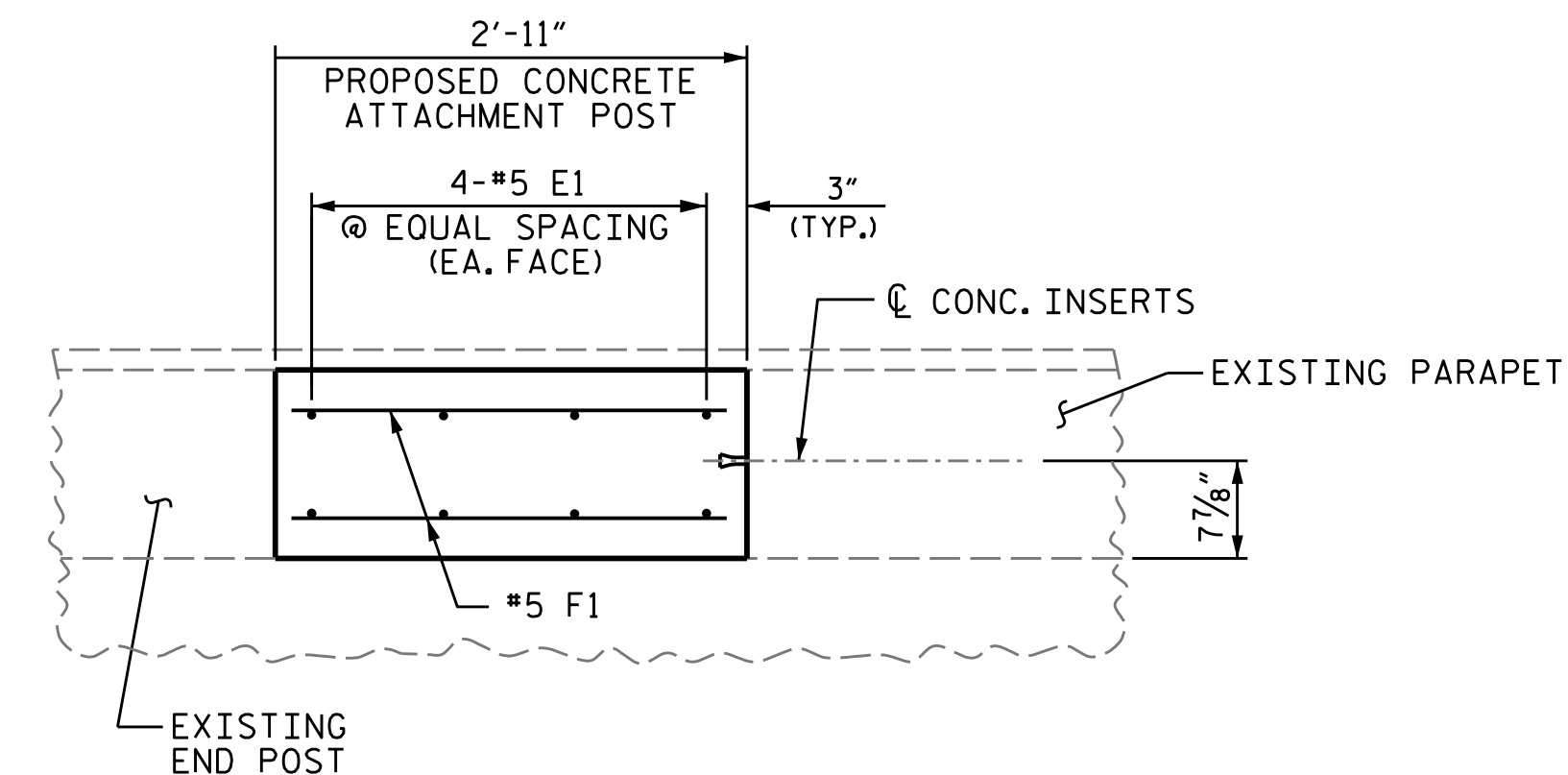
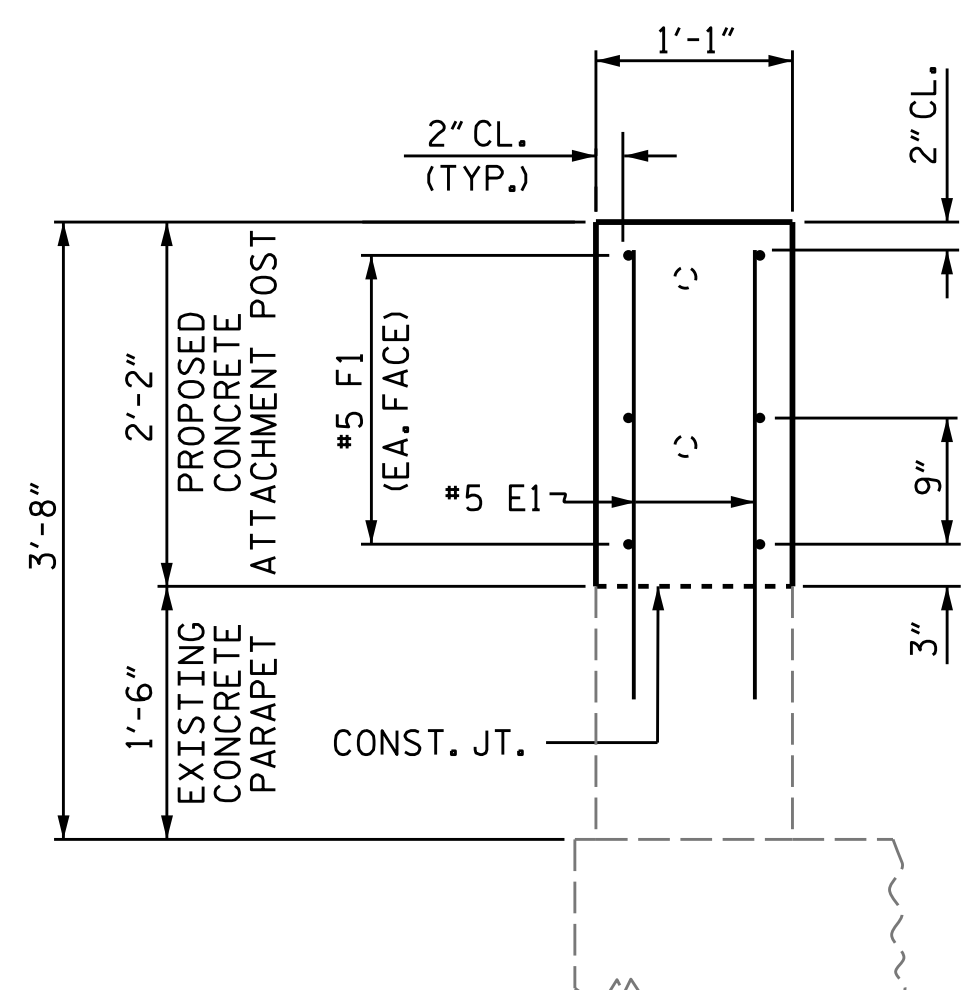


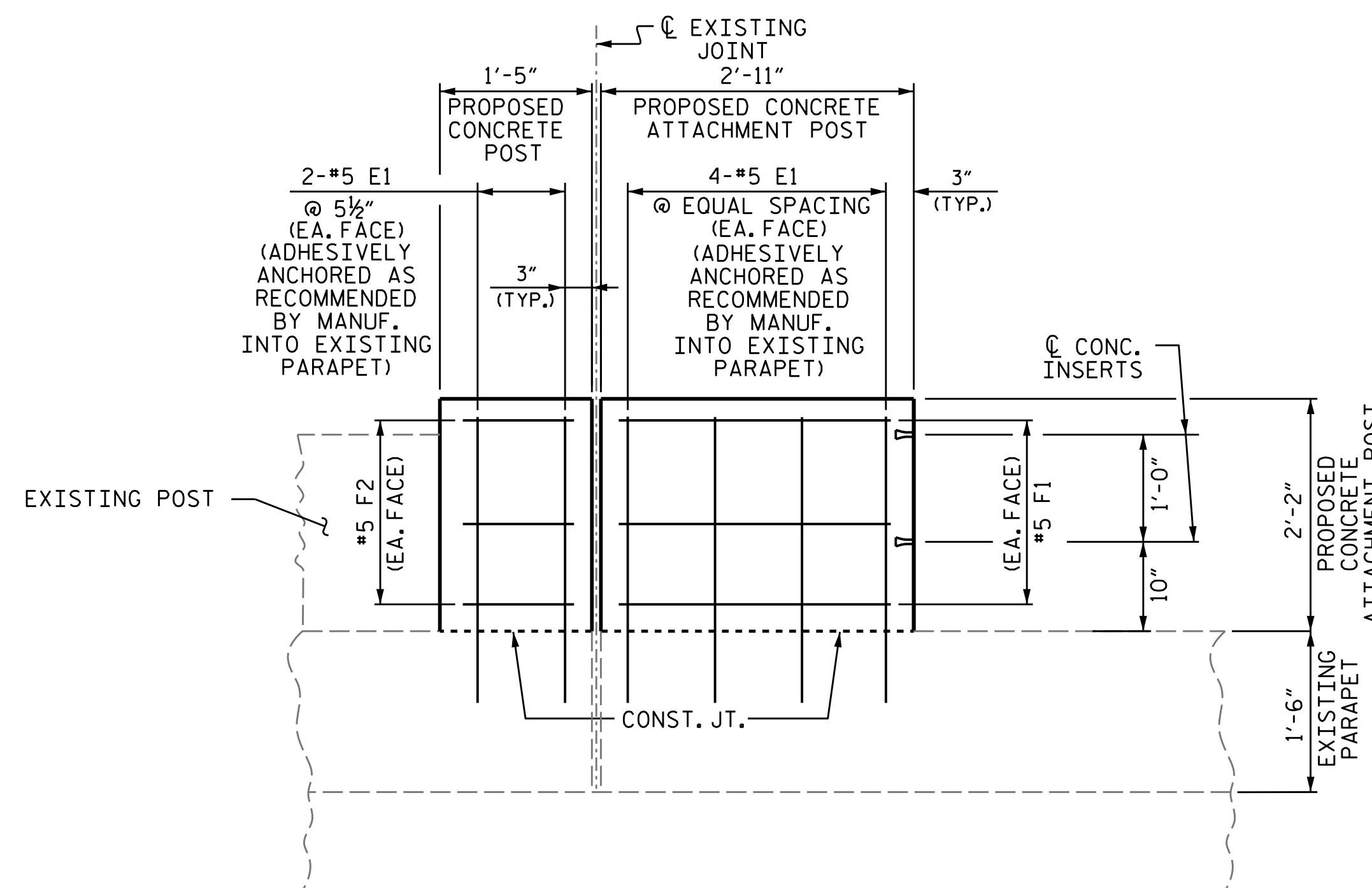
PLAN OF METAL RAIL ATTACHMENT POST AT BEGINNING OF BRIDGE



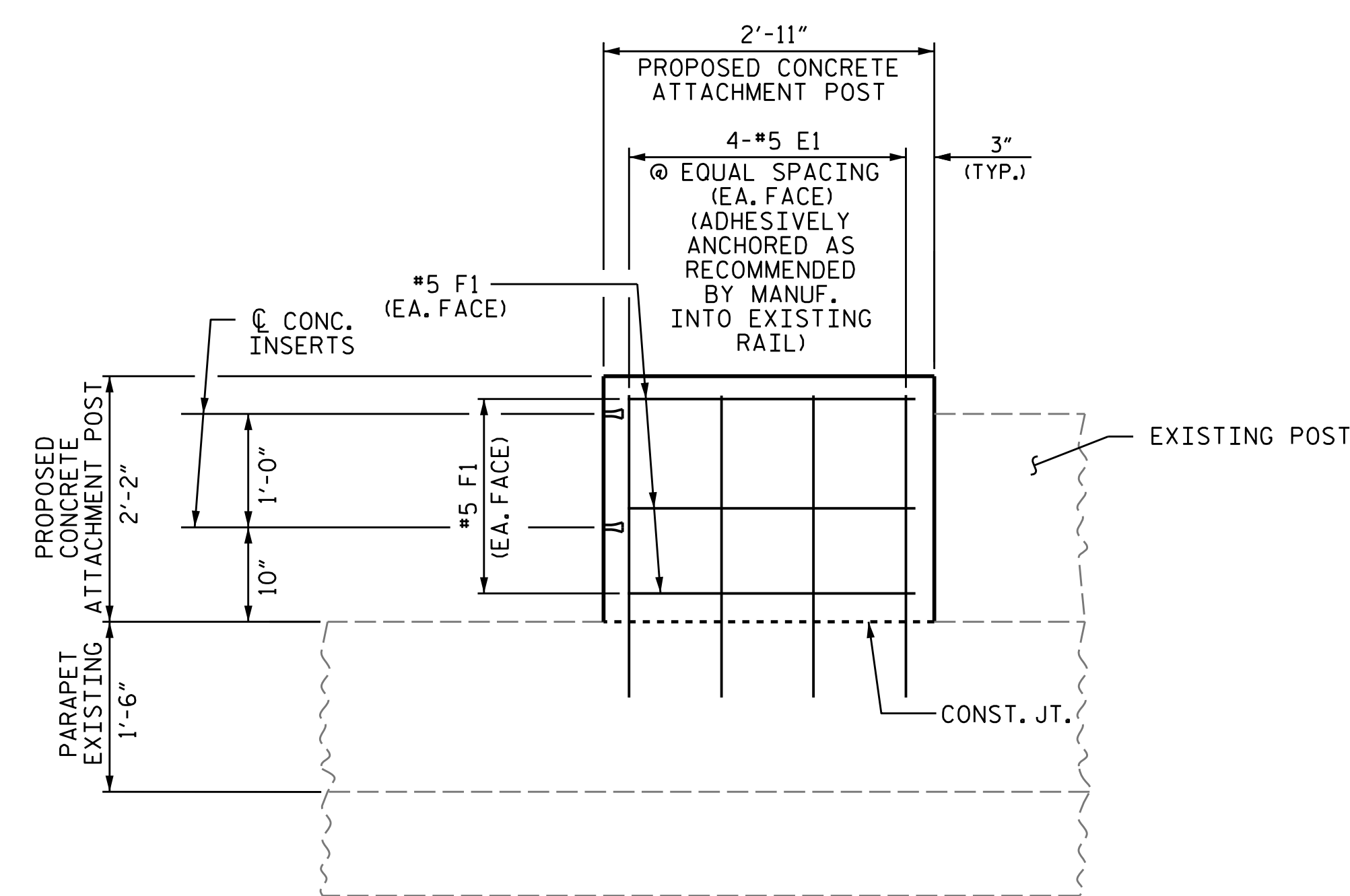
PLAN OF METAL RAIL ATTACHMENT POST AT END OF BRIDGE



END VIEW



ELEVATION AT BEGINNING OF BRIDGE



ELEVATION AT END OF BRIDGE

NOTES

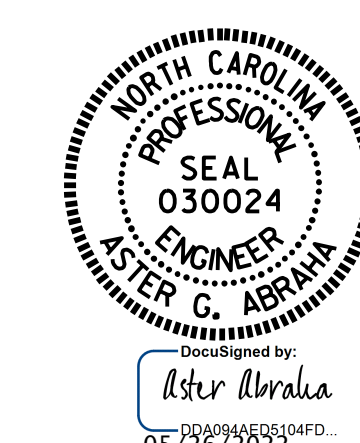
- ALL REINFORCING STEEL IN THE ATTACHMENT POSTS SHALL BE EPOXY COATED.
- THE #5 E1 BARS SHALL BE INSTALLED USING AN ADHESIVE ANCHORING SYSTEM. THE YIELD LOAD FOR THE #5 E1 BARS IS 18.6 KIPS.
- THE CONCRETE ATTACHMENT POSTS SHALL BE CONSTRUCTED IN ACCORDANCE WITH SECTION 460 OF THE STANDARD SPECIFICATIONS AND WILL BE MEASURED AND PAID FOR AS THE NUMBER OF LINEAR FEET OF 1'-1" x 2'-2" CONCRETE ATTACHMENT POST.

BILL OF MATERIAL FOR ONE ATTACHMENT POST (4 REQ'D.)					
BAR	NO.	SIZE	TYPE	LENGTH	WEIGHT
*E1	8	#5	STR	2'-8"	23
*F1	6	#5	STR	2'-6"	16
* EPOXY COATED REINFORCING STEEL					39
CLASS AA CONCRETE					.3 C.Y.
CONCRETE ATTACHMENT POST TOTAL					11.7 LIN. FT.

BILL OF MATERIAL FOR ONE CONCRETE POST (2 REQ'D.)					
BAR	NO.	SIZE	TYPE	LENGTH	WEIGHT
*E1	4	#5	STR	2'-8"	11.1
*F2	6	#5	STR	1'-1"	6.8
* EPOXY COATED REINFORCING STEEL					17.9
CLASS AA CONCRETE					.2 C.Y.
CONCRETE POST TOTAL					2.8 LIN. FT.

PROJECT NO. 15BPR.47
 NASH COUNTY
 BRIDGE No. 630039

SHEET 4 OF 4



STATE OF NORTH CAROLINA
 DEPARTMENT OF TRANSPORTATION
 RALEIGH

ATTACHMENT POSTS FOR BRIDGE RAIL

DRAWN BY : A. ABRAHA DATE : 05/2022
 CHECKED BY : A. Y. GODFREY DATE : 05/2022

DOCUMENT NOT CONSIDERED FINAL UNLESS ALL SIGNATURES COMPLETED

REVISIONS						SHEET NO.
NO.	BY:	DATE:	NO.	BY:	DATE:	
1			3			S3-18
2			4			TOTAL SHEETS 33