
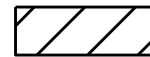


NOTES:

REPAIR LOCATIONS AND ESTIMATE OF QUANTITIES ARE GIVEN WITH THE BEST INFORMATION AVAILABLE. IF ADDITIONAL REPAIRS NOT SHOWN ON THE DRAWINGS ARE DEEMED NECESSARY BY THE ENGINEER, THE CONTRACTOR SHALL NOTE ON THE DRAWINGS THE APPROXIMATE LOCATION AND DESCRIPTION OF THE REPAIRS AND ENTER THE ACTUAL QUANTITIES INTO THE REPAIR QUANTITY TABLE.

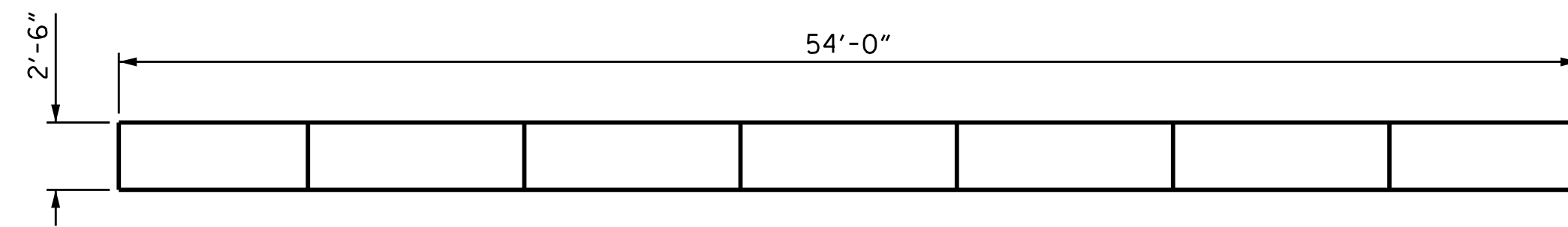
FOR ADDITIONAL NOTES, SEE SHEET 1 OF 5.

-  - CONCRETE REPAIR AREA
-  - SHOTCRETE REPAIR AREA

REPAIR QUANTITY TABLE

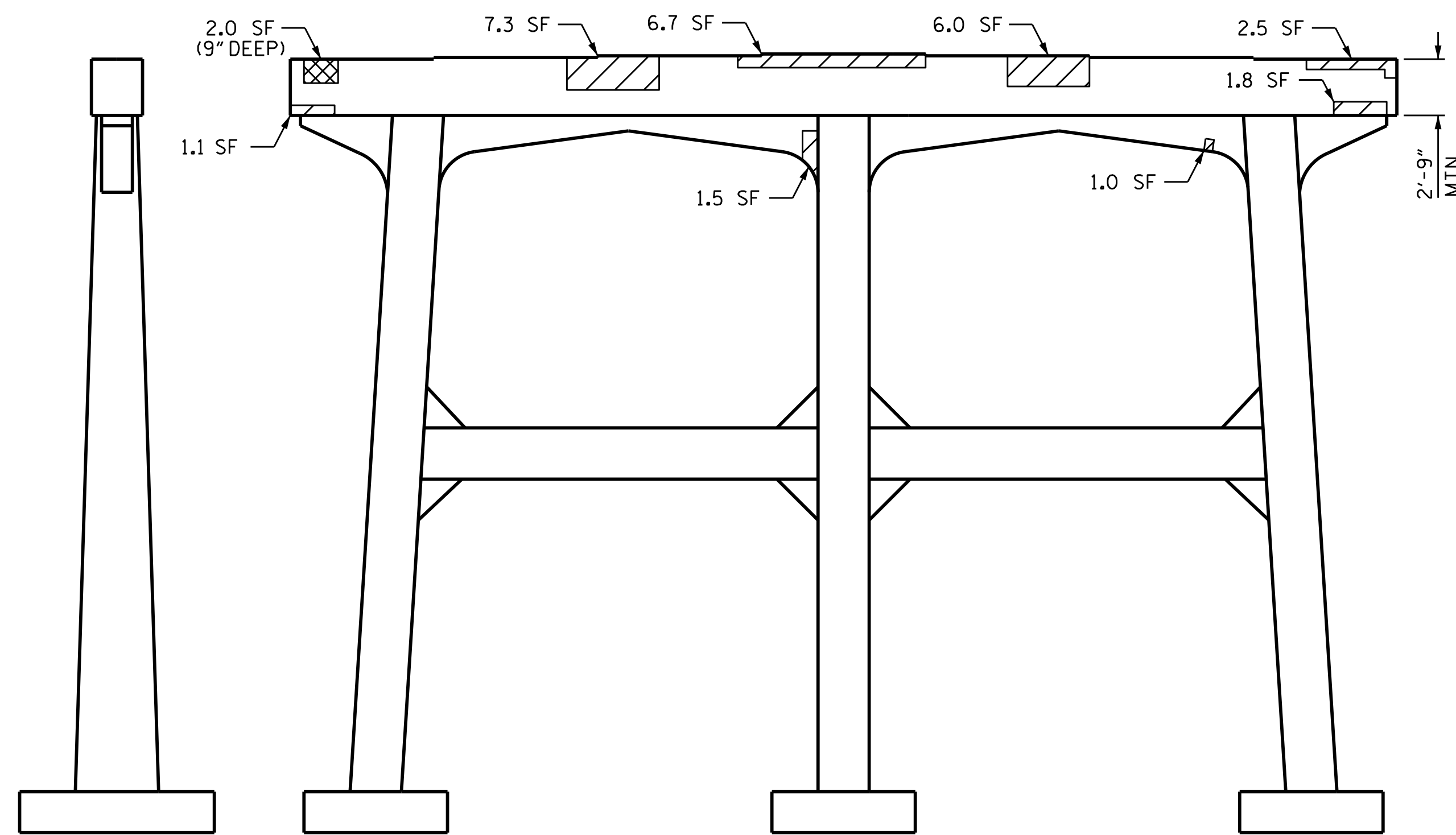
BENT 3	QUANTITIES			
	ESTIMATE		ACTUAL	
SHOTCRETE REPAIR	AREA S.F.	VOLUME C.F.	AREA S.F.	VOLUME C.F.
CAP (VERTICAL FACE)	57.9	29.0		
CAP (HORIZONTAL FACE)	0.0	0.0		
COLUMN AND STRUTS	1.5	0.8		
CONCRETE REPAIR				
CAP (VERTICAL FACE)	2.0	1.5		
CAP (HORIZONTAL FACE)	0.0	0.0		
COLUMN AND STRUTS	0.0	0.0		

VALUES IN CHART REPRESENT ESTIMATED REPAIR TOTALS AFTER REMOVAL OF UNSOUND CONCRETE, MIN. OF 1" BEHIND REBAR AND MIN. 2" CLEARANCE TO SAWCUT. SEE REPAIR DETAILS.



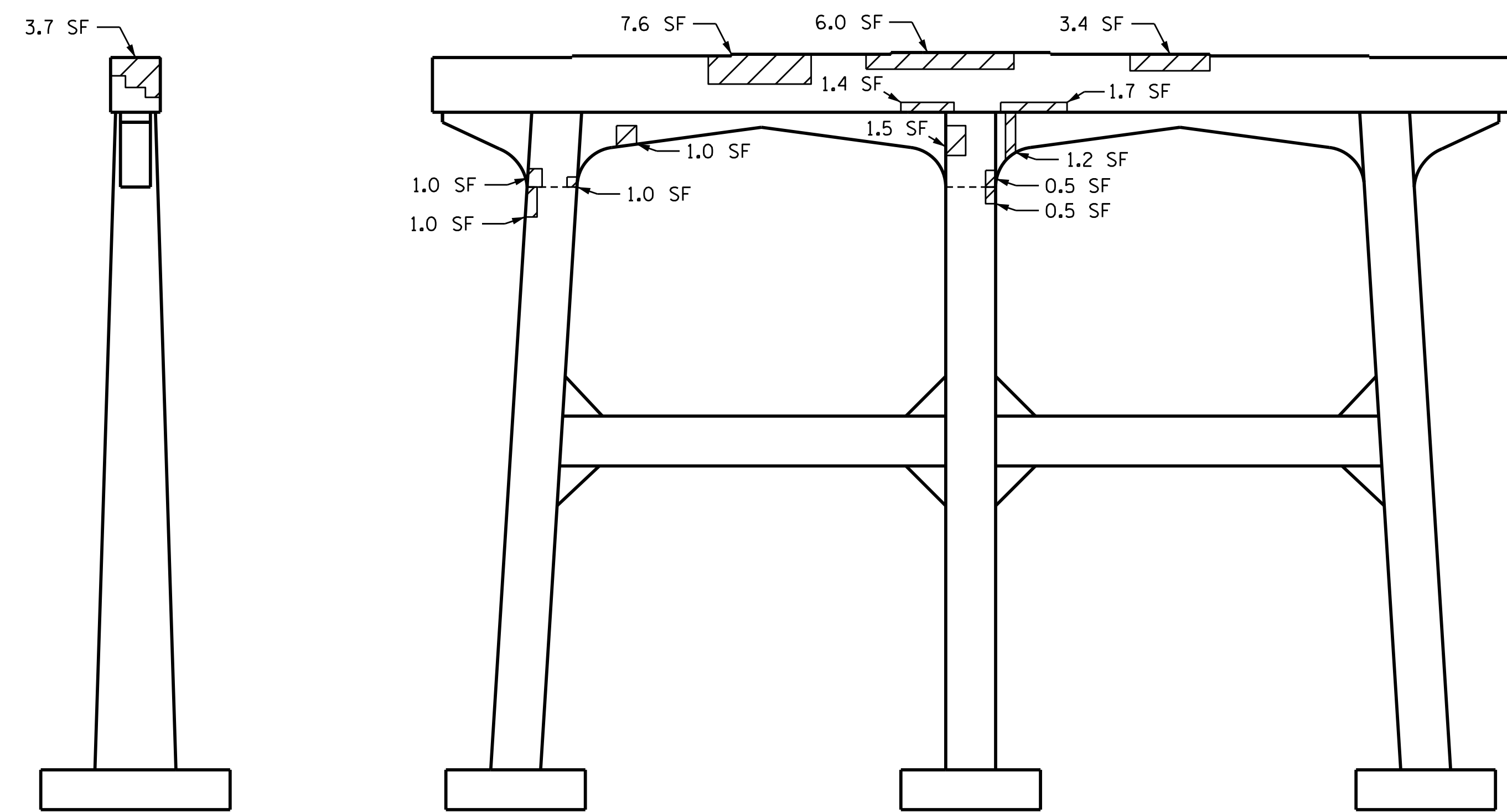
PLAN
TOP OF CAP

SPAN D
SPAN C



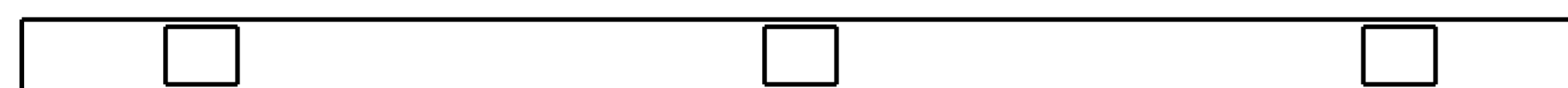
ELEVATION
WEST FACE
(LOOKING EAST)

END VIEW
NORTH FACE



ELEVATION
EAST FACE
(LOOKING WEST)

END VIEW
SOUTH FACE

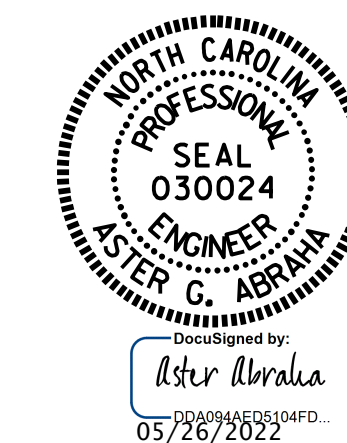


PLAN
BOTTOM OF CAP

SPAN C
SPAN D

PROJECT NO. 15BPR.47
EDGECOMBE COUNTY
 BRIDGE NO. 320051

SHEET 3 OF 5



STATE OF NORTH CAROLINA
 DEPARTMENT OF TRANSPORTATION
 RALEIGH

SUBSTRUCTURE
BENT 3

DRAWN BY : A. Y. GODFREY DATE : 09/2021
 CHECKED BY : G. AYES DATE : 02/2022

DOCUMENT NOT CONSIDERED
 FINAL UNLESS ALL
 SIGNATURES COMPLETED

REVISIONS						SHEET NO.
NO.	BY:	DATE:	NO.	BY:	DATE:	S1-21
1			3			TOTAL SHEETS
2			4			31