

## REPAIR QUANTITY TABLE

BENT 2	QUANTITIES			
	ESTIMATE		ACTUAL	
SHOTCRETE REPAIR	AREA S.F.	VOLUME C.F.	AREA S.F.	VOLUME C.F.
CAP (VERTICAL FACE)	25.0	12.5		
CAP (HORIZONTAL FACE)	3.2	1.6		
COLUMN AND STRUTS	17.5	8.8		
CONCRETE REPAIR				
CAP (VERTICAL FACE)	0.0	0.0		
CAP (HORIZONTAL FACE)	0.0	0.0		
COLUMN AND STRUTS	0.0	0.0		

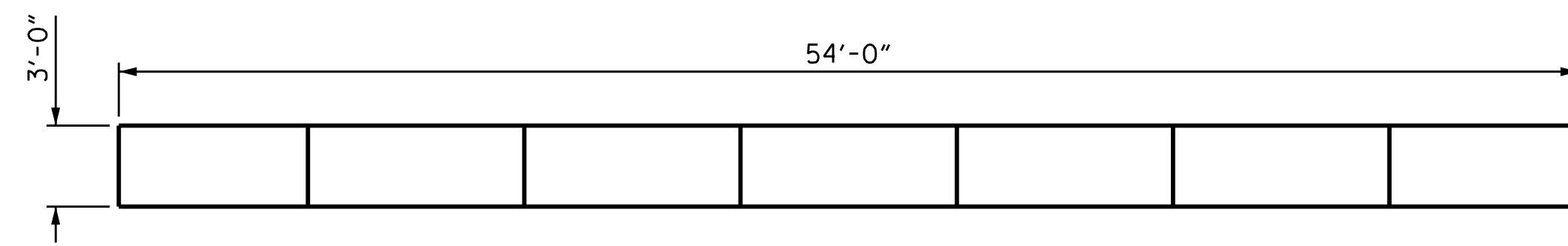
VALUES IN CHART REPRESENT ESTIMATED REPAIR TOTALS AFTER REMOVAL OF UNSOUND CONCRETE, MIN. OF 1" BEHIND REBAR AND MIN. 2" CLEARANCE TO SAWCUT. SEE REPAIR DETAILS.

### NOTES:

REPAIR LOCATIONS AND ESTIMATE OF QUANTITIES ARE GIVEN WITH THE BEST INFORMATION AVAILABLE. IF ADDITIONAL REPAIRS NOT SHOWN ON THE DRAWINGS ARE DEEMED NECESSARY BY THE ENGINEER, THE CONTRACTOR SHALL NOTE ON THE DRAWINGS THE APPROXIMATE LOCATION AND DESCRIPTION OF THE REPAIRS AND ENTER THE ACTUAL QUANTITIES INTO THE REPAIR QUANTITY TABLE.

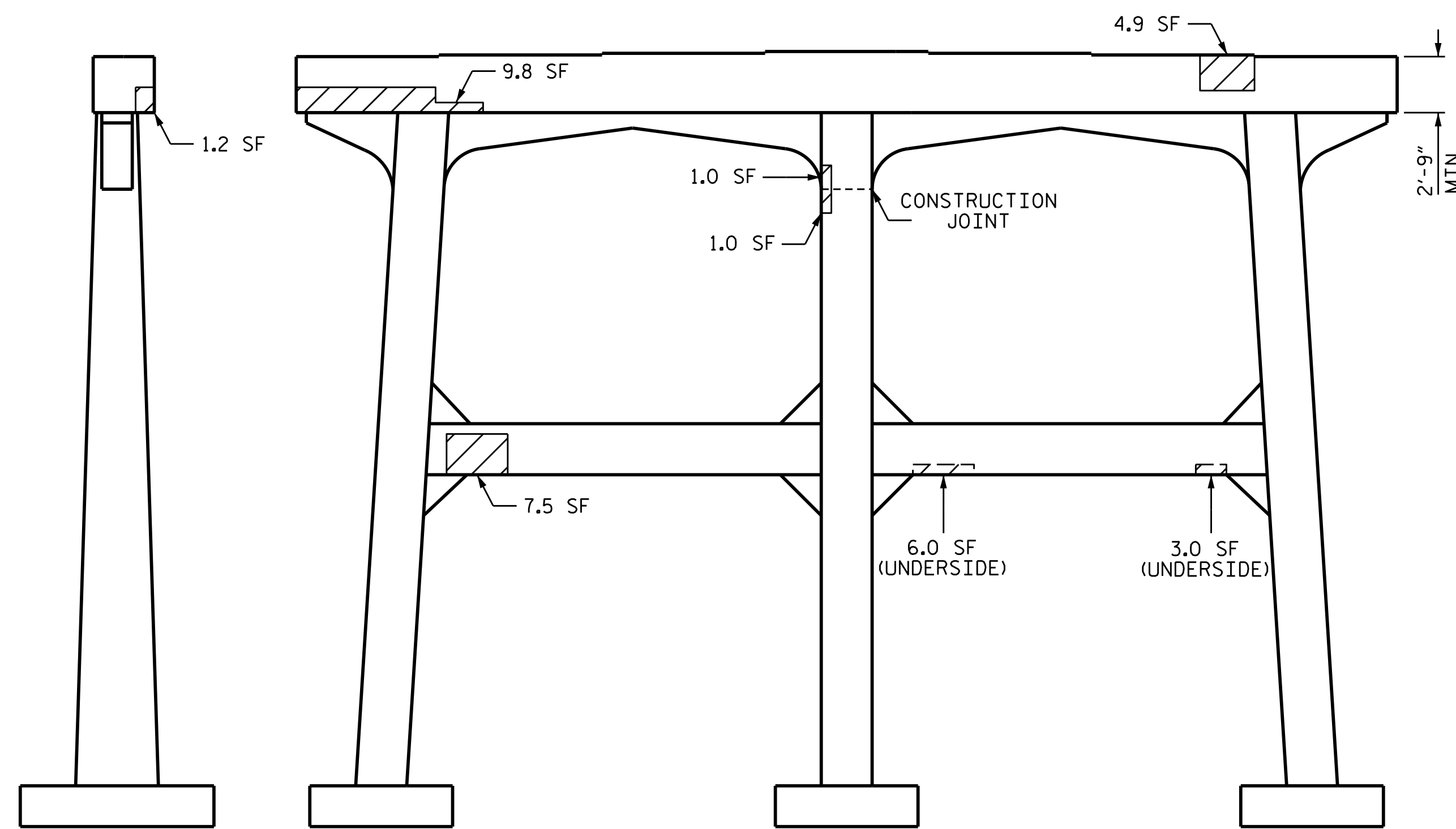
FOR ADDITIONAL NOTES, SEE SHEET 1 OF 5.

- CONCRETE REPAIR AREA
- SHOTCRETE REPAIR AREA



**PLAN**  
TOP OF CAP

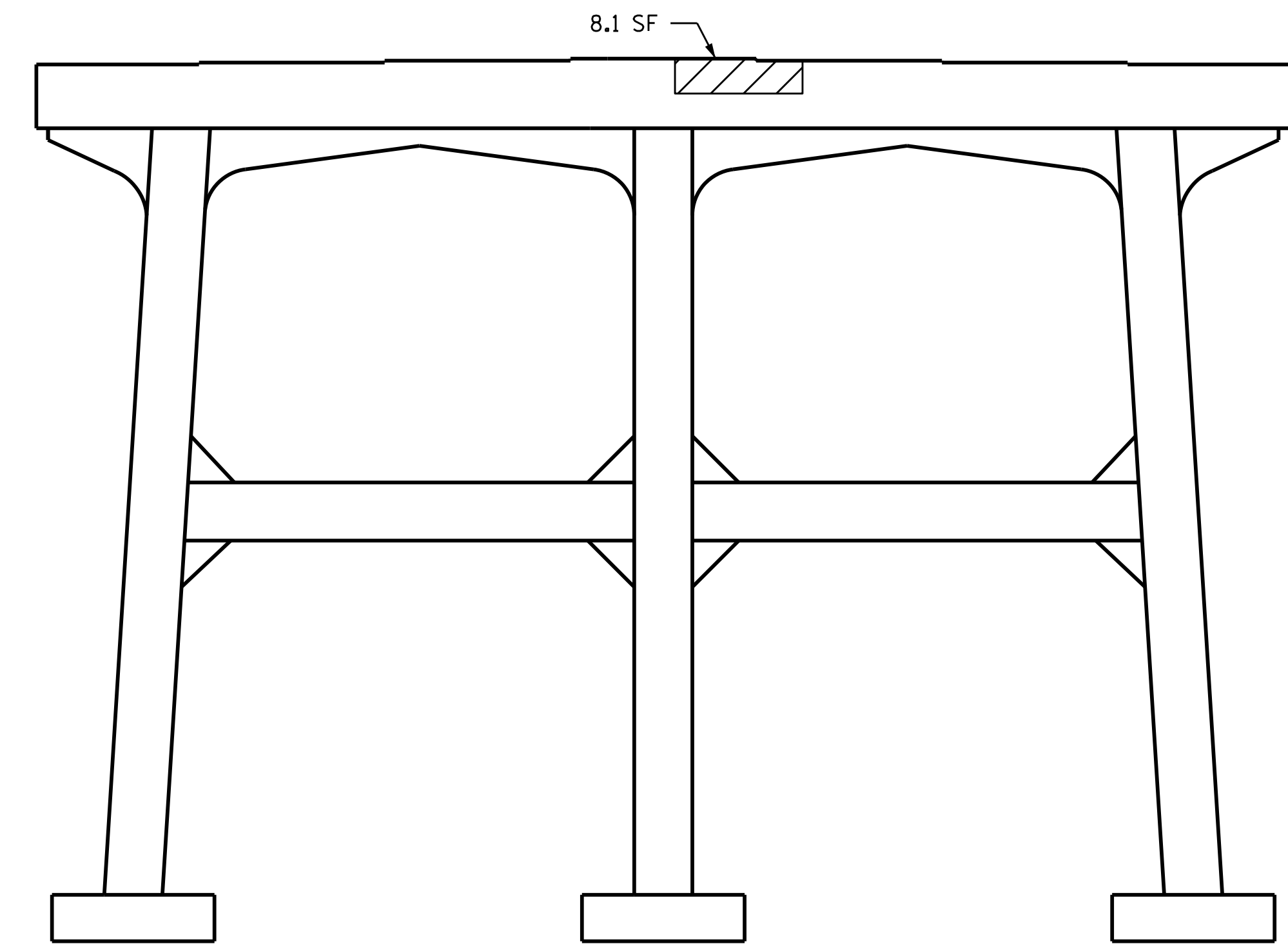
SPAN C  
SPAN B



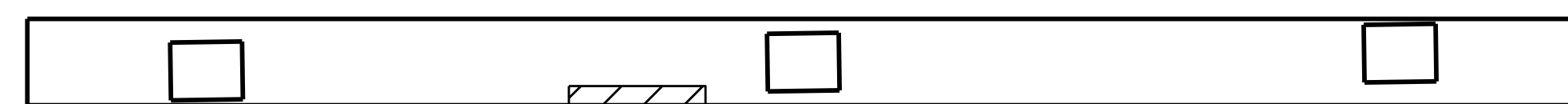
**END VIEW**  
NORTH FACE

**ELEVATION**  
WEST FACE  
(LOOKING EAST)

**END VIEW**  
SOUTH FACE



**ELEVATION**  
EAST FACE  
(LOOKING WEST)

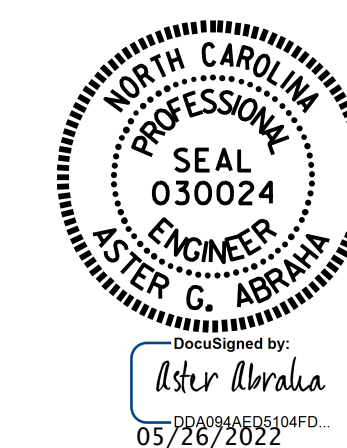


**PLAN**  
BOTTOM OF CAP

SPAN B  
SPAN C

PROJECT NO. 15BPR.47  
EDGECOMBE COUNTY  
 BRIDGE NO. 320051

SHEET 2 OF 5



STATE OF NORTH CAROLINA  
 DEPARTMENT OF TRANSPORTATION  
 RALEIGH

## SUBSTRUCTURE BENT 2

DRAWN BY : A. Y. GODFREY DATE : 09/2021  
 CHECKED BY : G. AYES DATE : 02/2022

DOCUMENT NOT CONSIDERED  
 FINAL UNLESS ALL  
 SIGNATURES COMPLETED

REVISIONS						SHEET NO.
NO.	BY:	DATE:	NO.	BY:	DATE:	SHEET NO.
1			3			S1-20
2			4			TOTAL SHEETS 31