

PLAN
TOP OF CAP

SPAN B
SPAN A

NOTES:

REPAIR LOCATIONS AND ESTIMATE OF QUANTITIES ARE GIVEN WITH THE BEST INFORMATION AVAILABLE. IF ADDITIONAL REPAIRS NOT SHOWN ON THE DRAWINGS ARE DEEMED NECESSARY BY THE ENGINEER, THE CONTRACTOR SHALL NOTE ON THE DRAWINGS THE APPROXIMATE LOCATION AND DESCRIPTION OF THE REPAIRS AND ENTER THE ACTUAL QUANTITIES INTO THE REPAIR QUANTITY TABLE.

FOR CAP AND COLUMN REPAIR DETAILS, SEE "TYPICAL CAP AND COLUMN REPAIR DETAILS" SHEET S1-31.

FOR SHOTCRETE REPAIRS, SEE SPECIAL PROVISIONS.

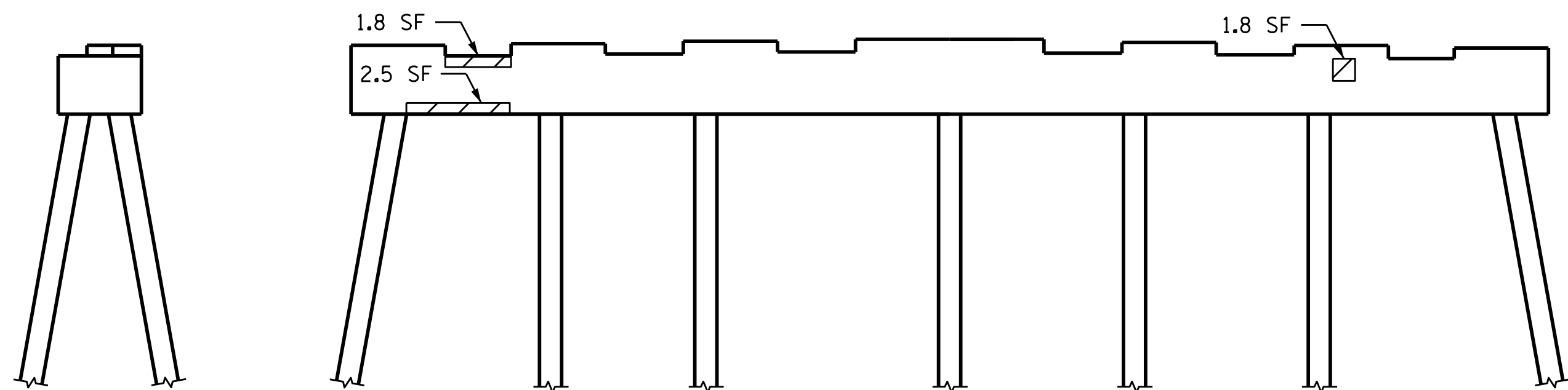
FOR CONCRETE REPAIRS, SEE SPECIAL PROVISIONS.

CONCRETE REPAIRS MAY BE SUBSTITUTED IN LIEU OF SHOTCRETE REPAIRS WITH THE APPROVAL OF THE ENGINEER.

- CONCRETE REPAIR AREA
- SHOTCRETE REPAIR AREA

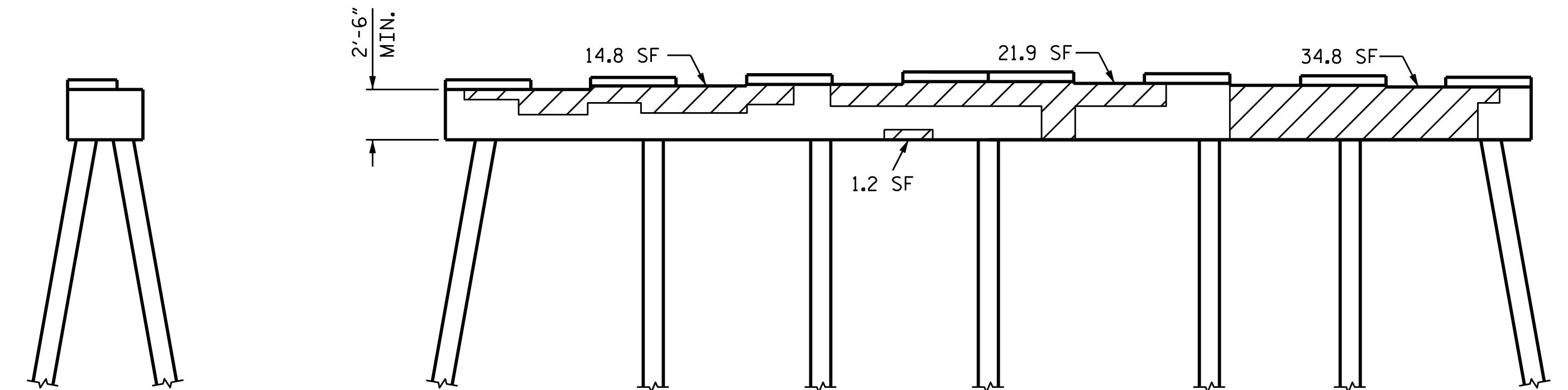
REPAIR QUANTITY TABLE				
BENT 1	QUANTITIES			
	ESTIMATE		ACTUAL	
SHOTCRETE REPAIR	AREA S.F.	VOLUME C.F.	AREA S.F.	VOLUME C.F.
CAP (VERTICAL FACE)	78.8	39.4		
CAP (HORIZONTAL FACE)	3.5	1.8		
COLUMN	0.0	0.0		
CONCRETE REPAIR				
CAP (VERTICAL FACE)	0.0	0.0		
CAP (HORIZONTAL FACE)	0.0	0.0		
COLUMN	0.0	0.0		

VALUES IN CHART REPRESENT ESTIMATED REPAIR TOTALS AFTER REMOVAL OF UNSOUND CONCRETE, MIN. OF 1" BEHIND REBAR AND MIN. 2" CLEARANCE TO SAWCUT. SEE REPAIR DETAILS.



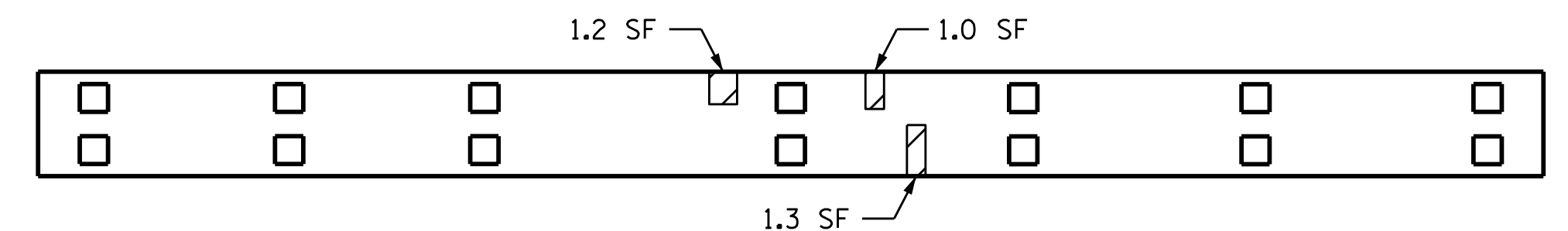
ELEVATION
WEST FACE
(LOOKING EAST)

END VIEW
NORTH FACE



ELEVATION
EAST FACE
(LOOKING WEST)

END VIEW
SOUTH FACE

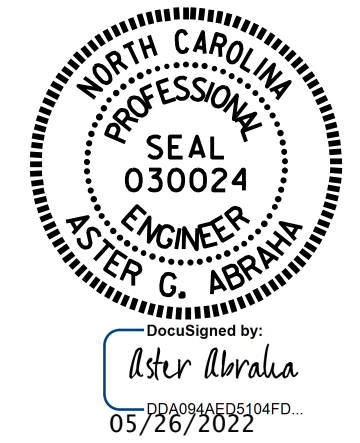


PLAN
BOTTOM OF CAP

SPAN A
SPAN B

PROJECT NO. 15BPR.47
EDGEcombe COUNTY
 BRIDGE NO. 320051

SHEET 1 OF 5



STATE OF NORTH CAROLINA
 DEPARTMENT OF TRANSPORTATION
 RALEIGH

**SUBSTRUCTURE
 BENT 1**

DRAWN BY : A. Y. GODFREY DATE : 09/2021
 CHECKED BY : G. AYES DATE : 02/2022

NO.	REVISIONS			SHEET NO.
	BY:	DATE:	NO.	
1			3	S1-19 TOTAL SHEETS 31
2			4	

DOCUMENT NOT CONSIDERED
 FINAL UNLESS ALL
 SIGNATURES COMPLETED