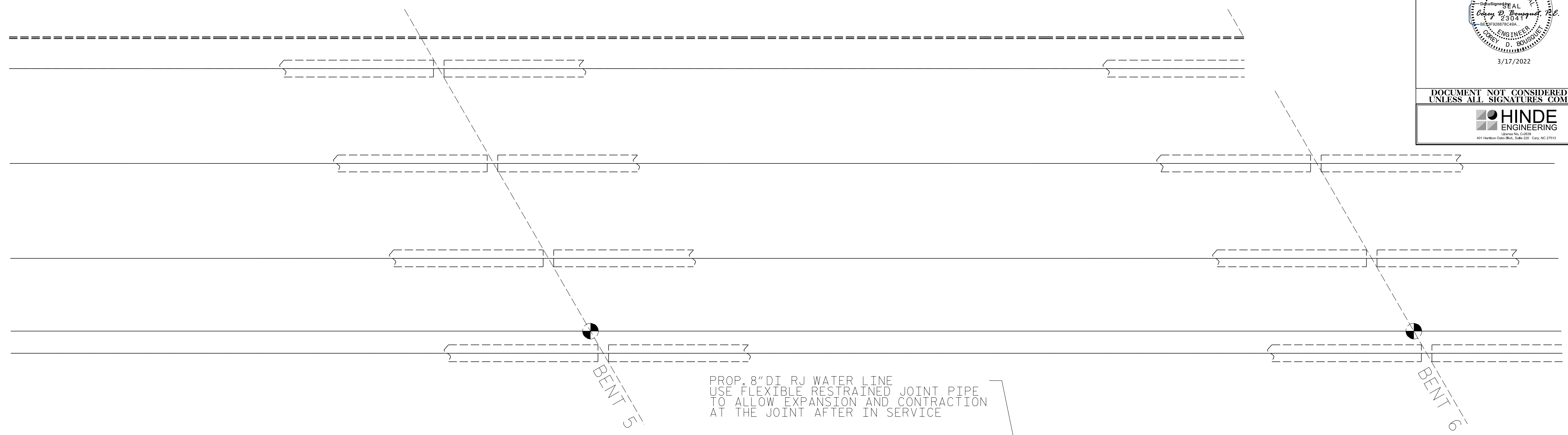
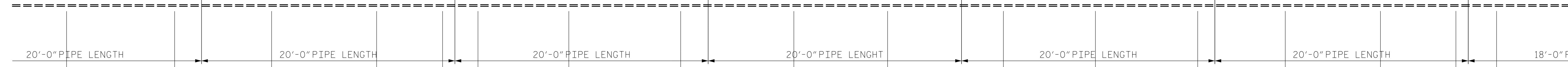
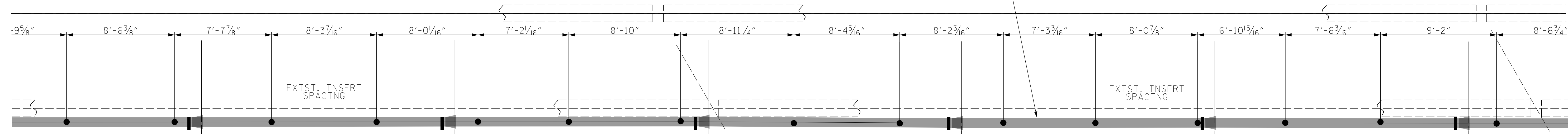


3/17/2022

DOCUMENT NOT CONSIDERED FINAL
UNLESS ALL SIGNATURES COMPLETED



PROP. 8" DI RJ WATER LINE
USE FLEXIBLE RESTRAINED JOINT PIPE
TO ALLOW EXPANSION AND CONTRACTION
AT THE JOINT AFTER IN SERVICE



- PROP. PIPE HANGER AND EXIST. INSERT 21
- PROP. PIPE HANGER AND EXIST. INSERT 22
- PROP. LATERAL PIPE BRACING 10
1'-0" BELL OFFSET
- PROP. PIPE HANGER AND EXIST. INSERT 23
- PROP. PIPE HANGER AND EXIST. INSERT 24
- PROP. LATERAL PIPE BRACING 11
1'-0" BELL OFFSET
- PROP. PIPE HANGER AND EXIST. INSERT 25
- PROP. PIPE HANGER AND EXIST. INSERT 26
- PROP. PIPE HANGER AND EXIST. INSERT 27
- PROP. LATERAL PIPE BRACING 12
1'-0" BELL OFFSET
- PROP. PIPE HANGER AND EXIST. INSERT 28
- PROP. PIPE HANGER AND EXIST. INSERT 29
- PROP. LATERAL PIPE BRACING 13
1'-0" BELL OFFSET
- PROP. PIPE HANGER AND EXIST. INSERT 30
- PROP. PIPE HANGER AND EXIST. INSERT 31
- PROP. PIPE HANGER AND EXIST. INSERT 32
- PROP. LATERAL PIPE BRACING 14
1'-0" BELL OFFSET
- PROP. PIPE HANGER AND EXIST. INSERT 33
- INSERT 34
- ING 15
- INSERT 35

PROJECT NO. B-4786
PITT COUNTY
STATION: SB EX. BRIDGE

SHEET OF

STATE OF NORTH CAROLINA
DEPARTMENT OF TRANSPORTATION
RALEIGH
**EXIST. BRIDGE
PLAN OF SPAN
8" WATER LINE
ATTACHMENT**

REVISIONS						SHEET NO.
NO.	BY:	DATE:	NO.	BY:	DATE:	
1			3			SU-6
2			4			