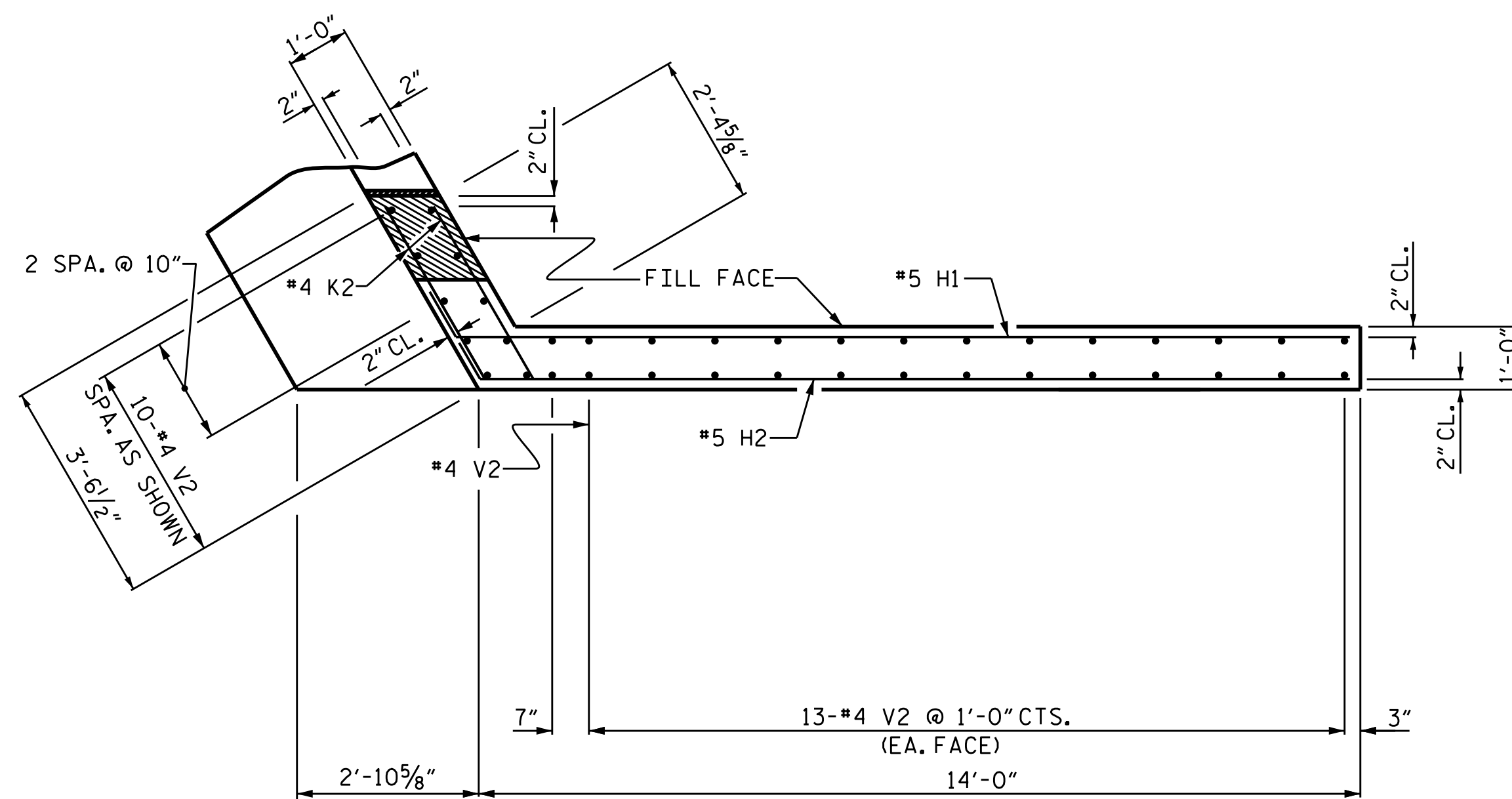
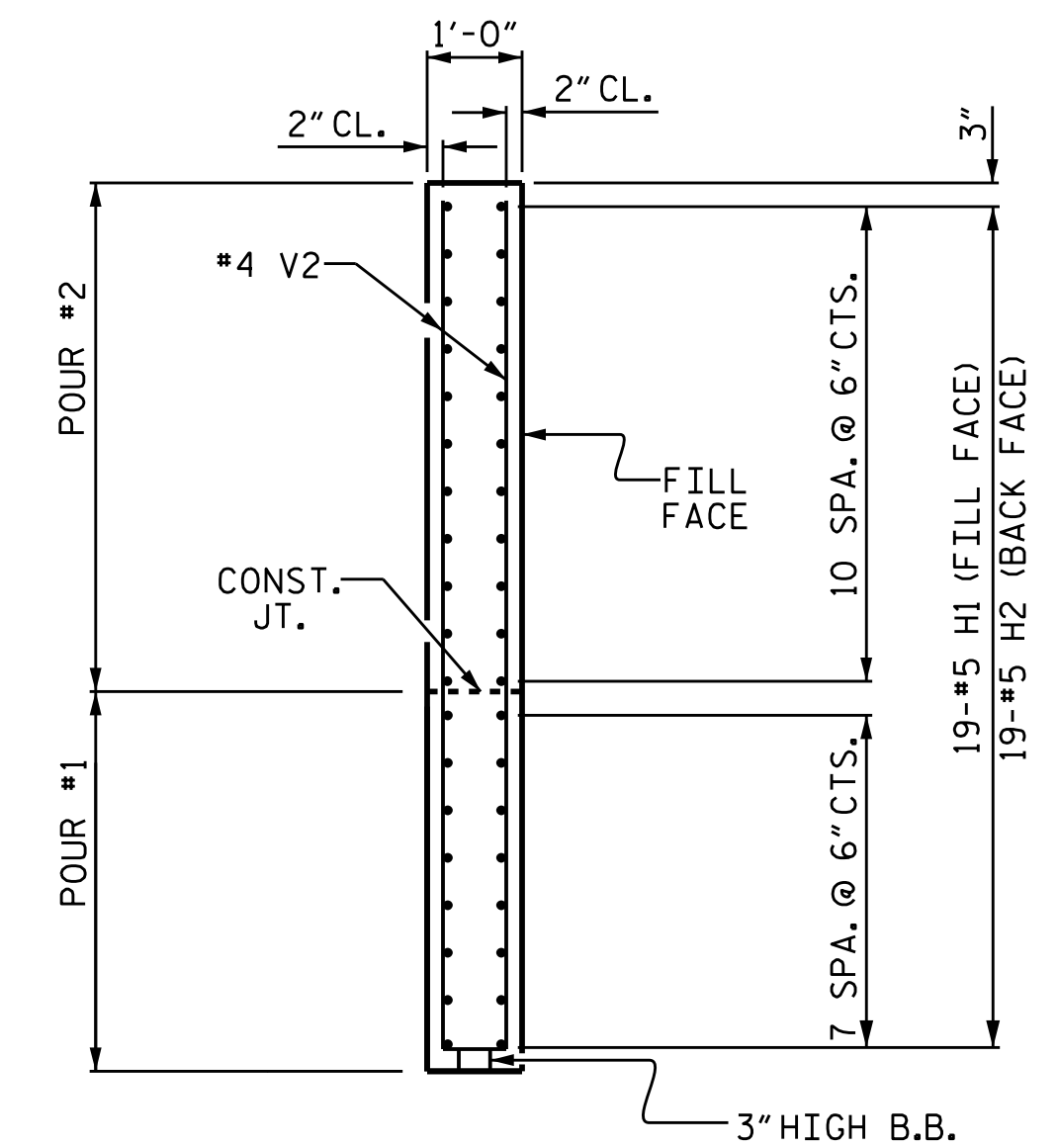


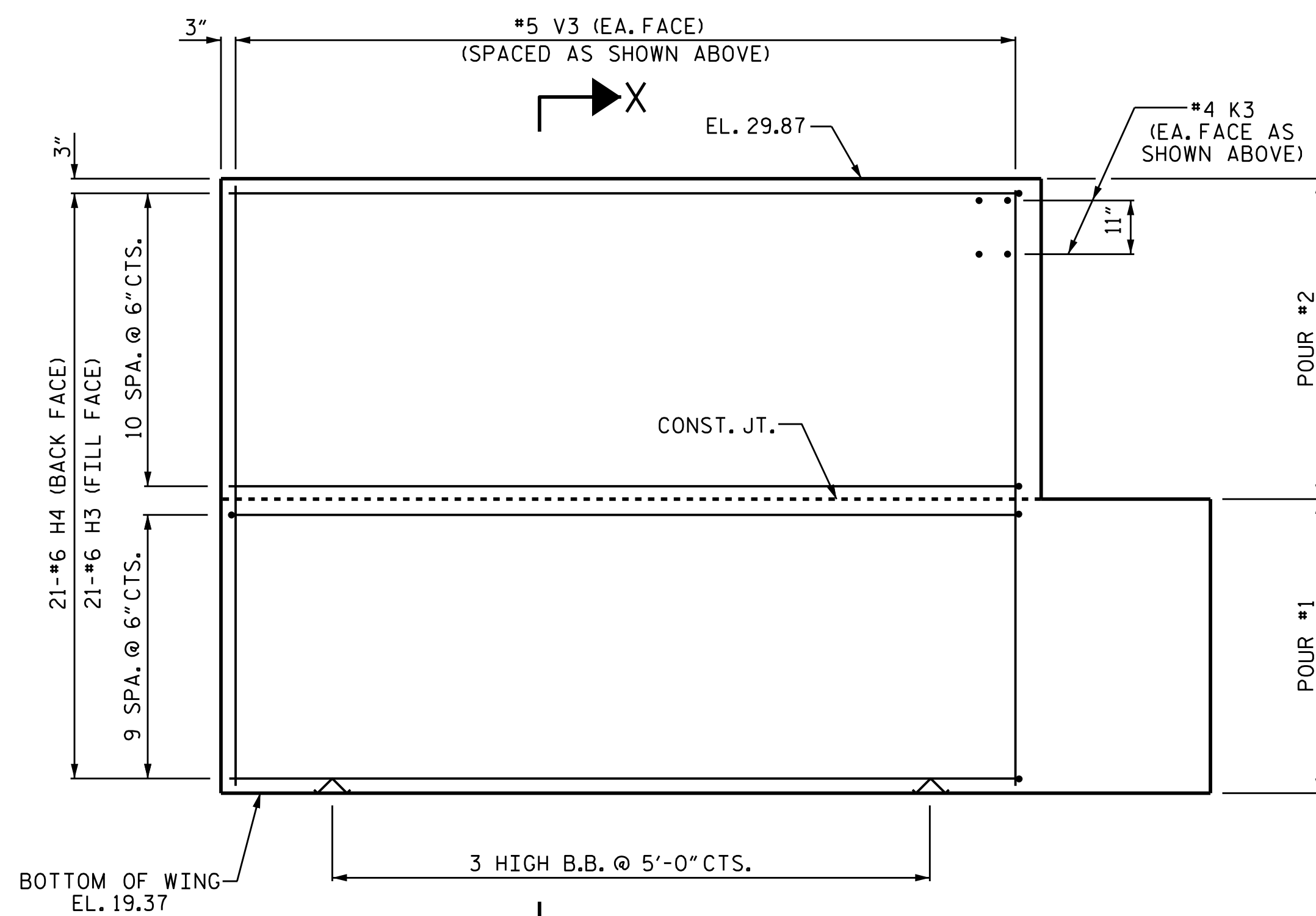
PLAN OF WING (W1)



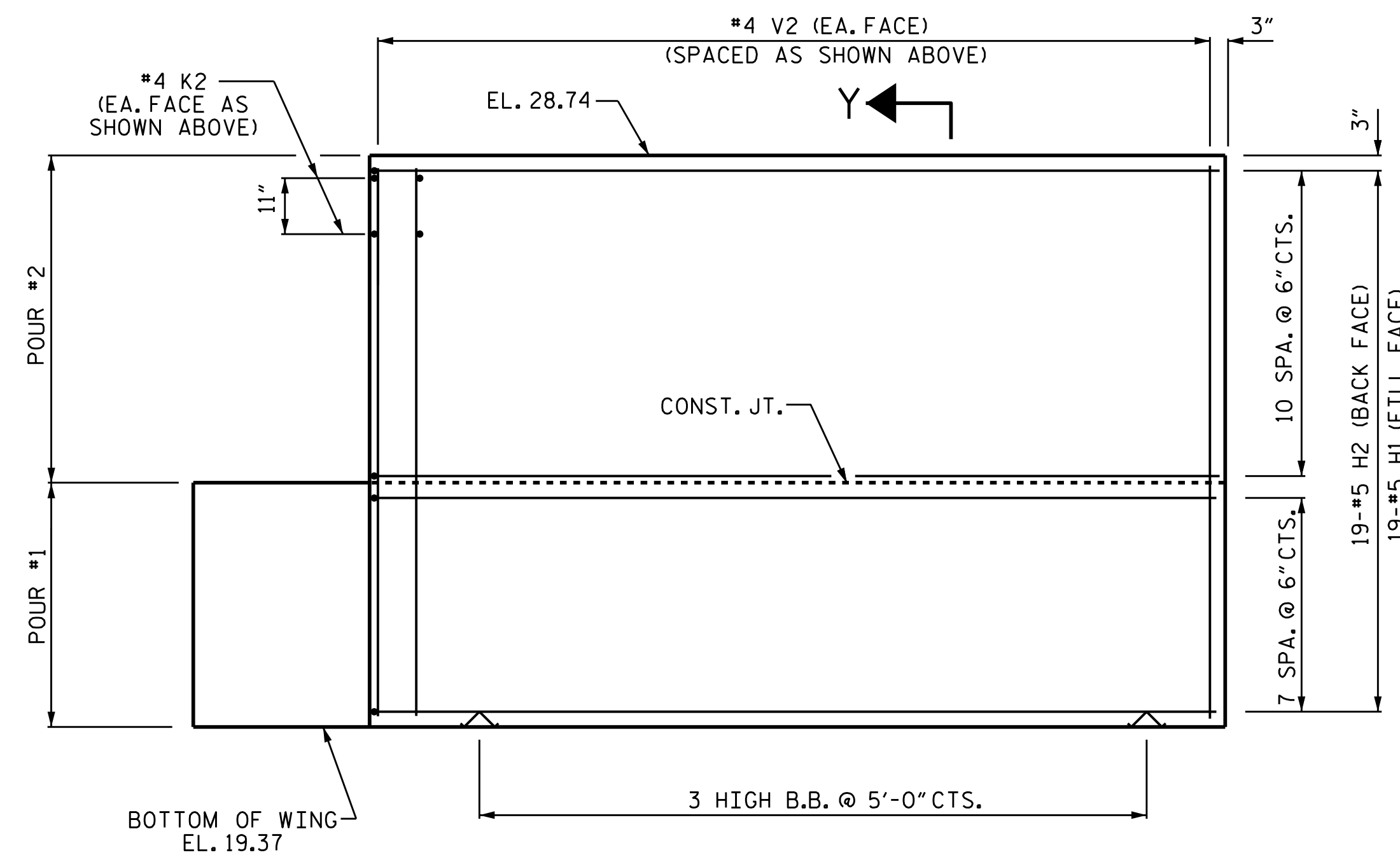
PLAN OF WING (W2)



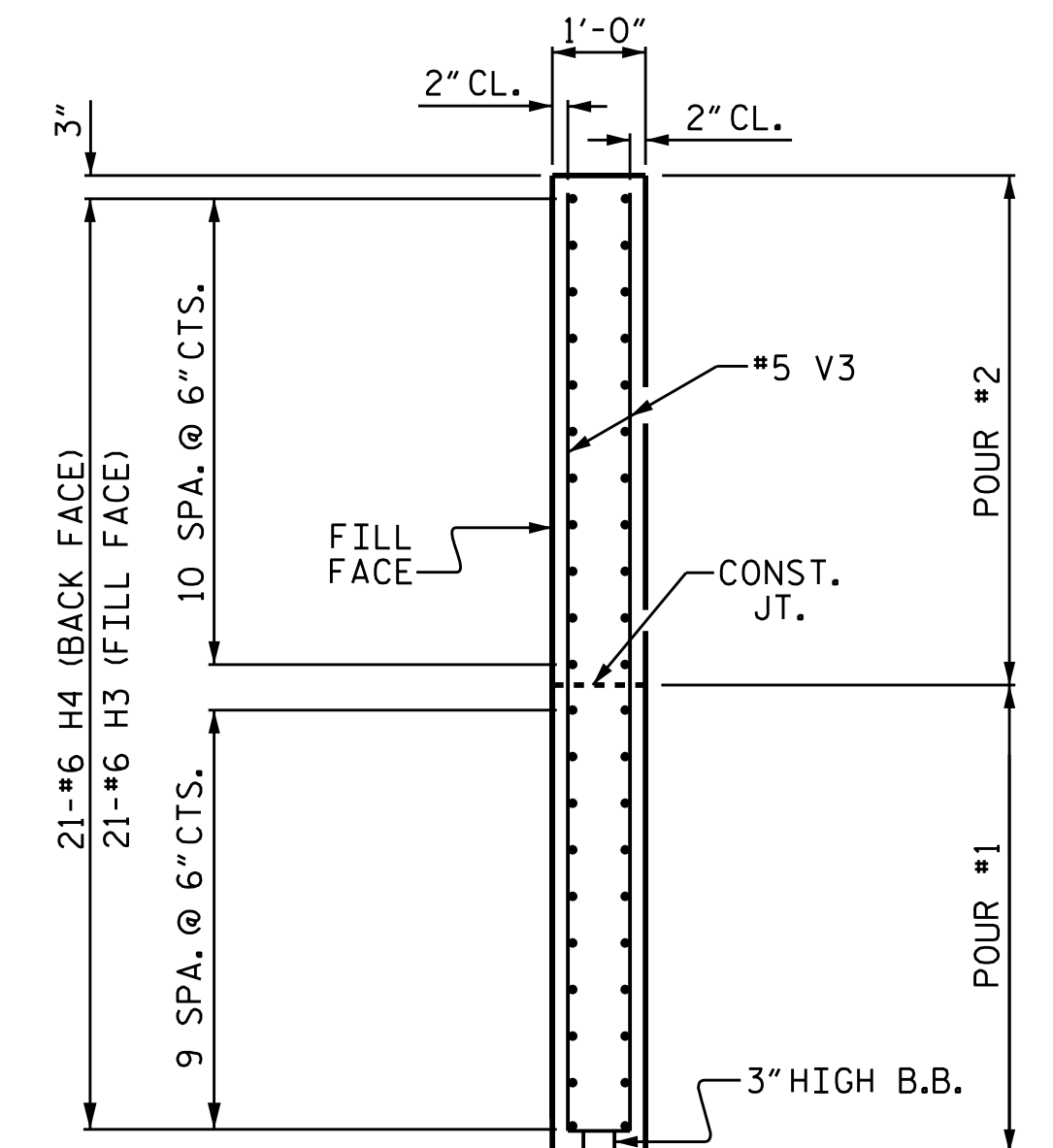
SECTION Y-Y



ELEVATION OF WING (W1)



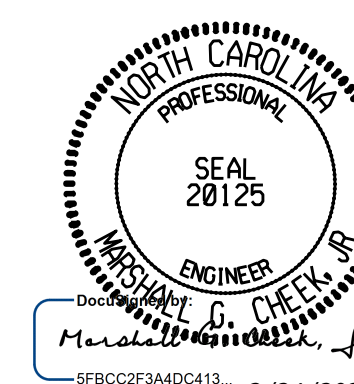
ELEVATION OF WING (W2)



SECTION X-X

PROJECT NO. B-4786  
 PITT COUNTY  
 STATION: 28+03.00 -L-

SHEET 2 OF 3



DOCUMENT NOT CONSIDERED FINAL  
 UNLESS ALL SIGNATURES COMPLETED

TGS ENGINEERS  
 706 HILLSBOROUGH STREET  
 SUITE 200  
 RALEIGH, NC 27603  
 PH (919) 773-8887  
 CORP. LICENSE NO.: C-0275

STATE OF NORTH CAROLINA  
 DEPARTMENT OF TRANSPORTATION  
 RALEIGH

SUBSTRUCTURE  
 END BENT 2

DRAWN BY : S. B. WILLIAMS DATE : 6-19  
 CHECKED BY : MGC DATE : 7-19  
 DESIGN ENGINEER OF RECORD: TBE DATE : 8-19

9/26/2021  
 X:\NCDOT\B-4786\Structures\Final plans\DCNs\B-4786.SMU. E22.730038.dgn  
 Users\sbwilliams

REVISIONS						SHEET NO.
NO.	BY:	DATE:	NO.	BY:	DATE:	S-52
1			3			TOTAL SHEETS 57
2			4			