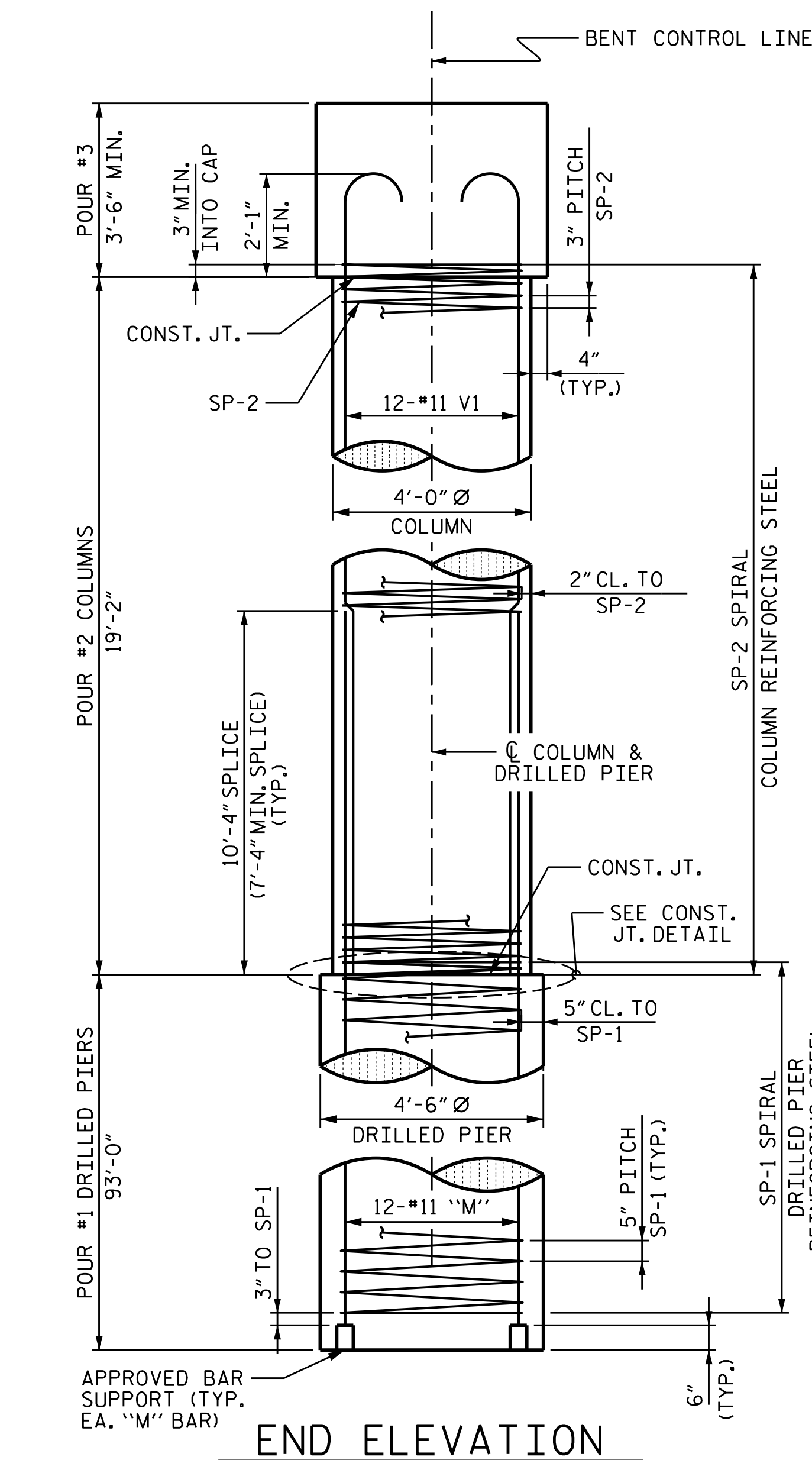
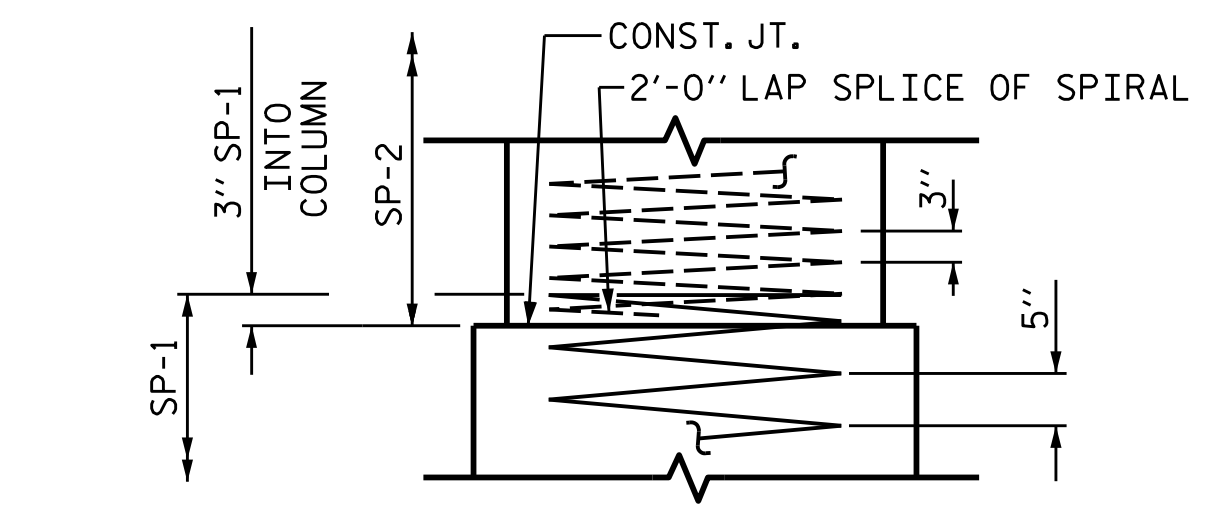


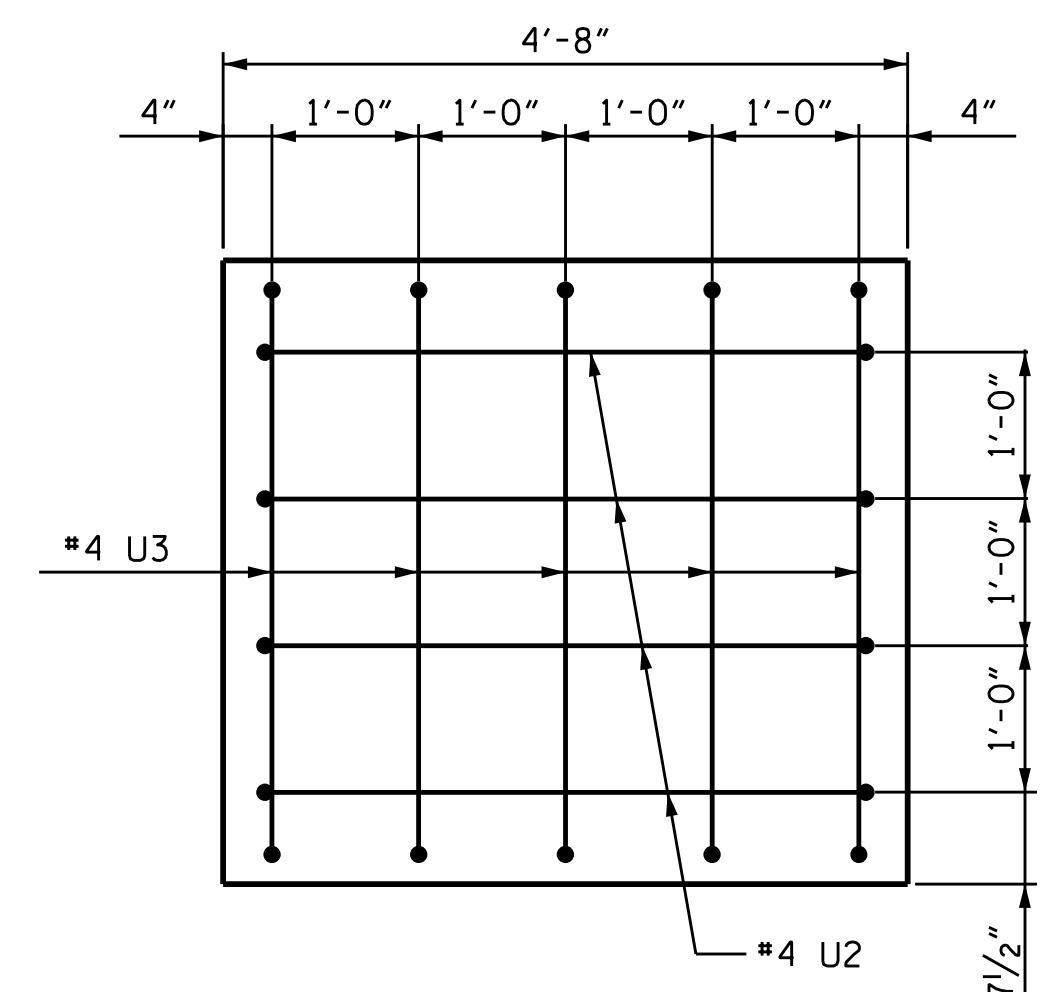
PLAN OF DRILLED PIERS & COLUMNS



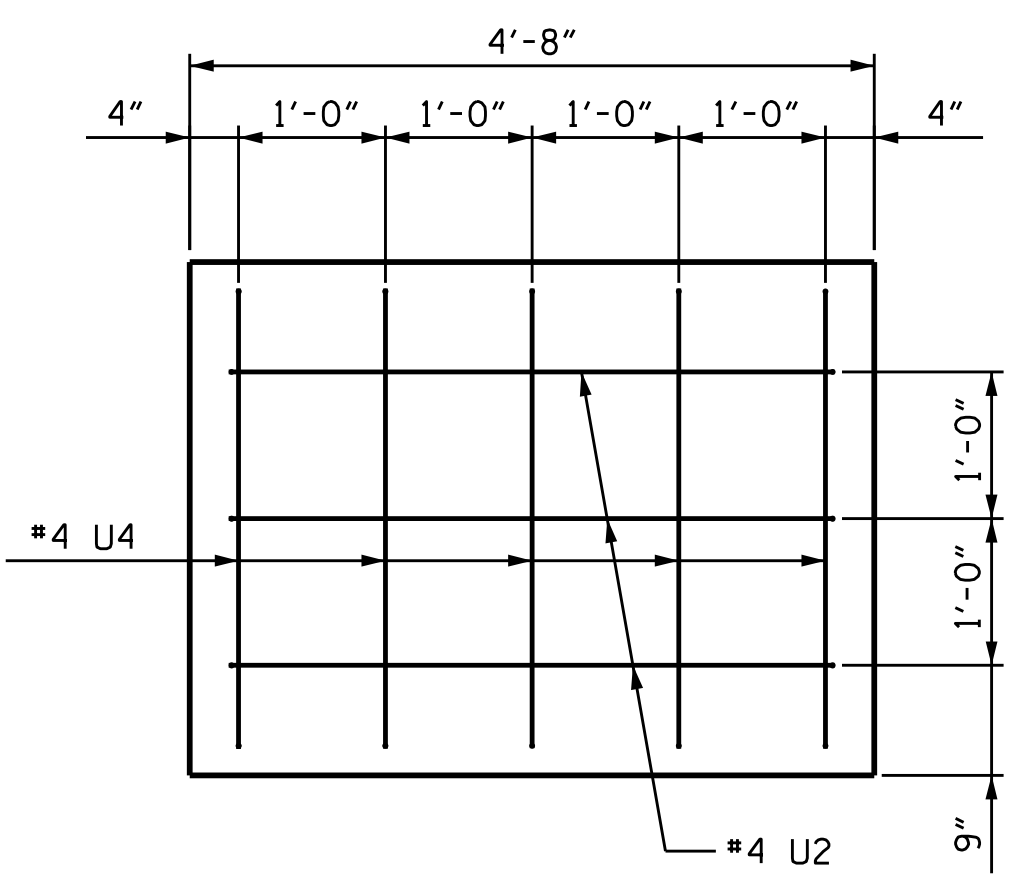
END ELEVATION



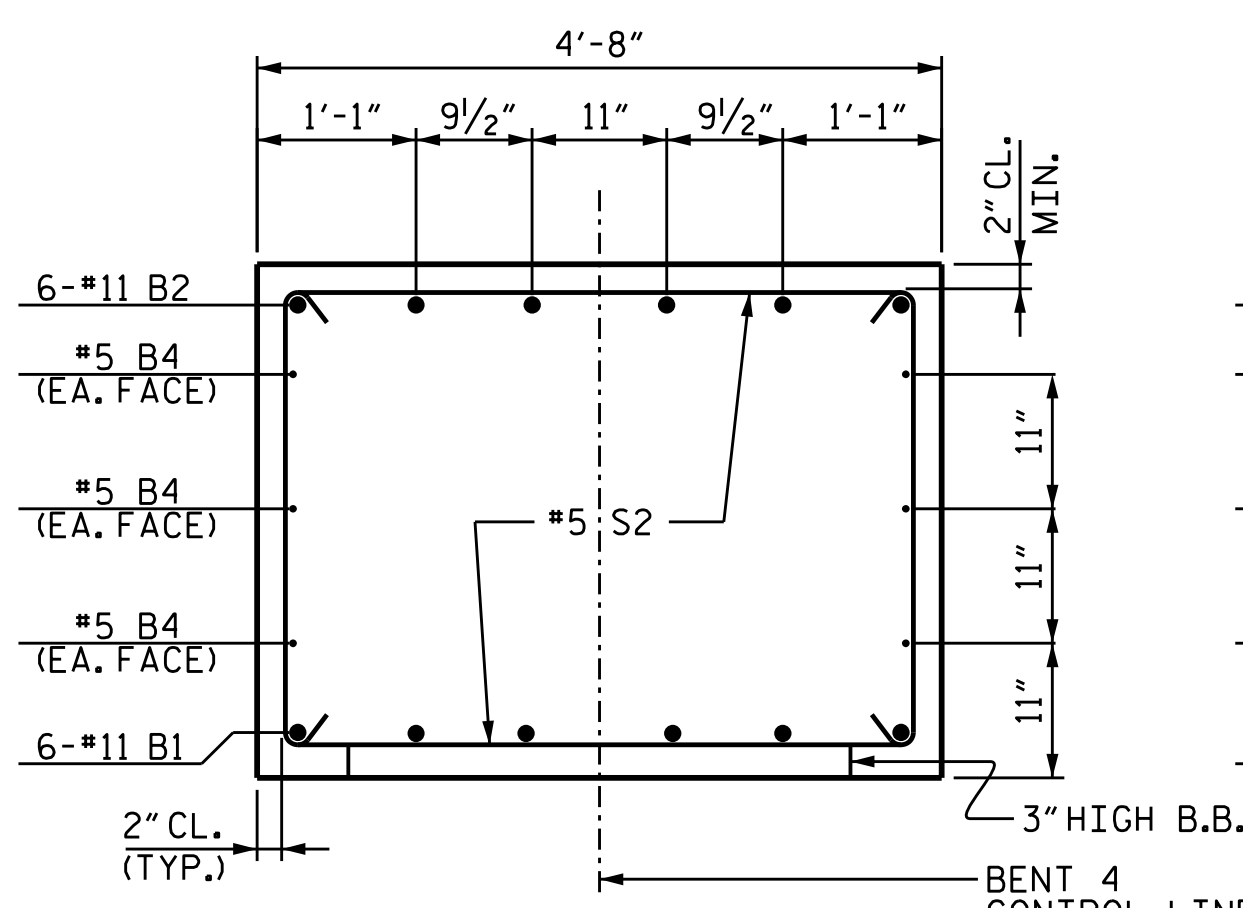
CONSTRUCTION JOINT DETAIL



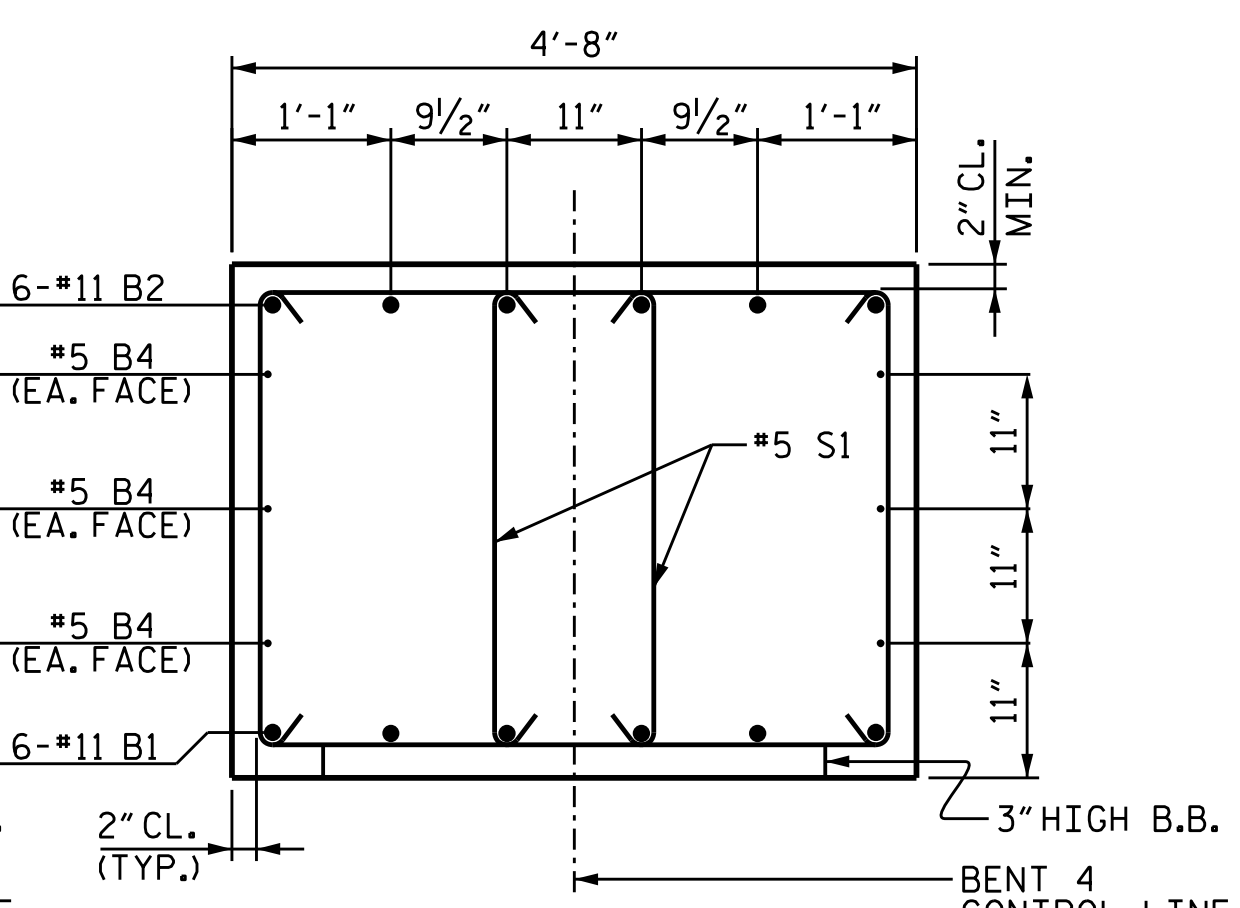
LEFT END VIEW



RIGHT END VIEW

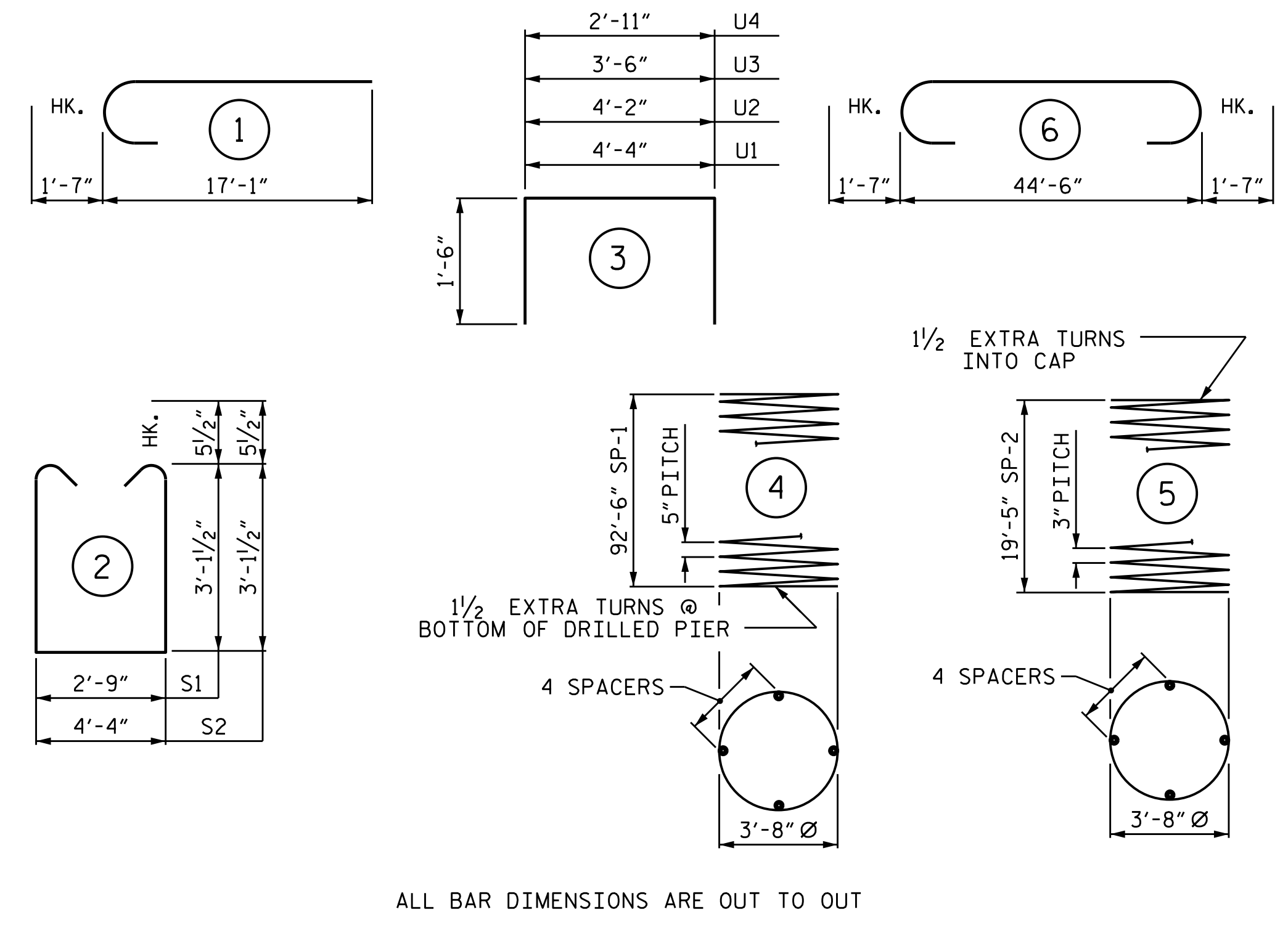


SECTION B-B



SECTION A-A

BAR TYPES



ALL BAR DIMENSIONS ARE OUT TO OUT

BILL OF MATERIAL FOR BENT 4

BAR	NO.	SIZE	TYPE	LENGTH	WEIGHT
B1	6	#11	STR	44'-8"	1,424
B2	6	#11	6	47'-8"	1,520
B3	6	#5	STR	44'-8"	280
B4	6	#4	STR	24'-5"	98
M1	36	#11	STR	60'-0"	11,476
M2	36	#11	STR	50'-2"	9,595
S1	16	#5	2	9'-11"	165
S2	38	#5	2	11'-6"	456
U1	53	#4	3	7'-4"	260
U2	7	#4	3	7'-2"	34
U3	5	#4	3	6'-6"	22
U4	5	#4	3	5'-11"	20
V1	36	#11	1	22'-10"	4,367

REINFORCING STEEL 29,717 LBS.

SP-1	3	*	4	2,545'-5"	7,965
SP-2	3	**	5	911'-4"	1,826

SPIRAL COLUMN REINFORCING STEEL 9,791 LBS.

\* THE SP-1 SPIRAL REINFORCING STEEL SHALL BE W31 OR D-31 COLD DRAWN WIRE OR #5 PLAIN OR DEFORMED BAR  
 \*\* THE SP-2 SPIRAL REINFORCING STEEL SHALL BE W20 OR D-20 COLD DRAWN WIRE OR #4 PLAIN OR DEFORMED BAR

CLASS A CONCRETE BREAKDOWN

POUR #2 (COLUMNS)	26.8 C.Y.
POUR #3 (CAP)	29.8 C.Y.
<b>TOTAL CLASS A CONCRETE</b>	<b>56.6 C.Y.</b>

DRILLED PIERS:

DRILLED PIER CONCRETE POUR #1	164.4 C.Y.
4'-6" Ø DRILLED PIERS IN SOIL	279.00 LIN. FT.
PERMANENT STEEL CASING FOR 4'-6" Ø DRILLED PIERS	90.00 LIN. FT.
CSL TUBES	1134.00 LIN. FT.

PROJECT NO. B-4786  
 PITT COUNTY  
 STATION: 28+03.00 -L-  
 SHEET 2 OF 2

DOCUMENT NOT CONSIDERED FINAL UNLESS ALL SIGNATURES COMPLETED

TGS ENGINEERS  
 706 HILLSBOROUGH STREET SUITE 200  
 RALEIGH, NC 27603  
 PH (919) 773-8887  
 CORP. LICENSE NO.: C-0275

REVISIONS						SHEET NO.
NO.	BY:	DATE:	NO.	BY:	DATE:	S-44
1			3			TOTAL SHEETS
2			4			57

DRAWN BY: TBE / ZCS DATE: 6/2019  
 CHECKED BY: MGC DATE: 6/2019  
 DESIGN ENGINEER OF RECORD: TBE DATE: 6/2019