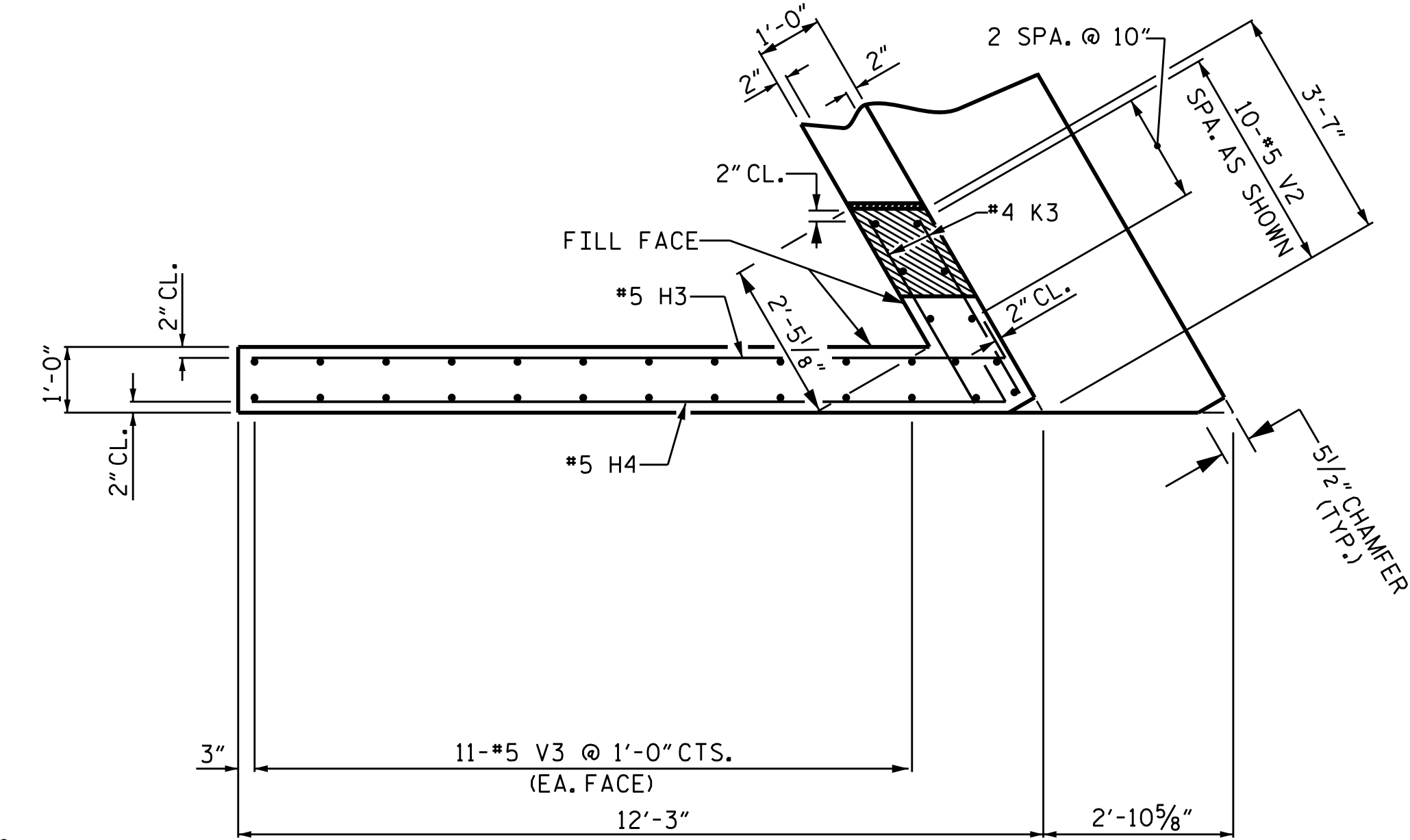
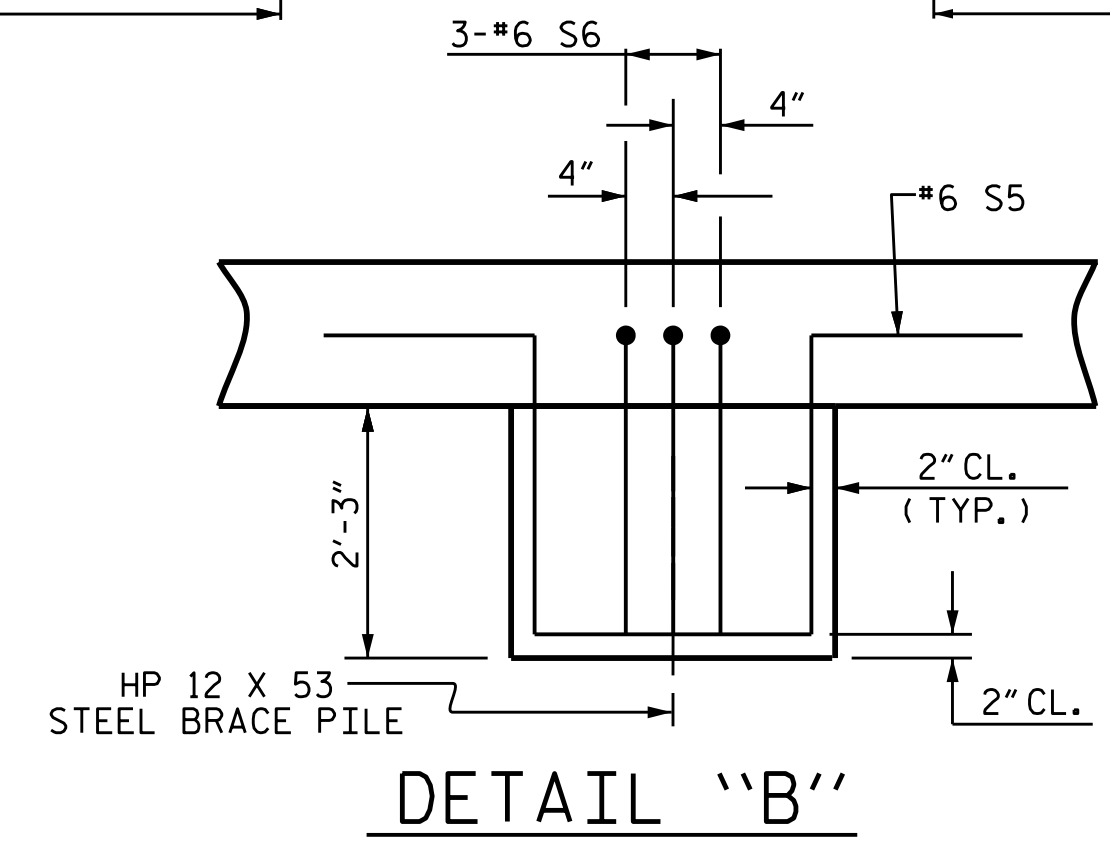


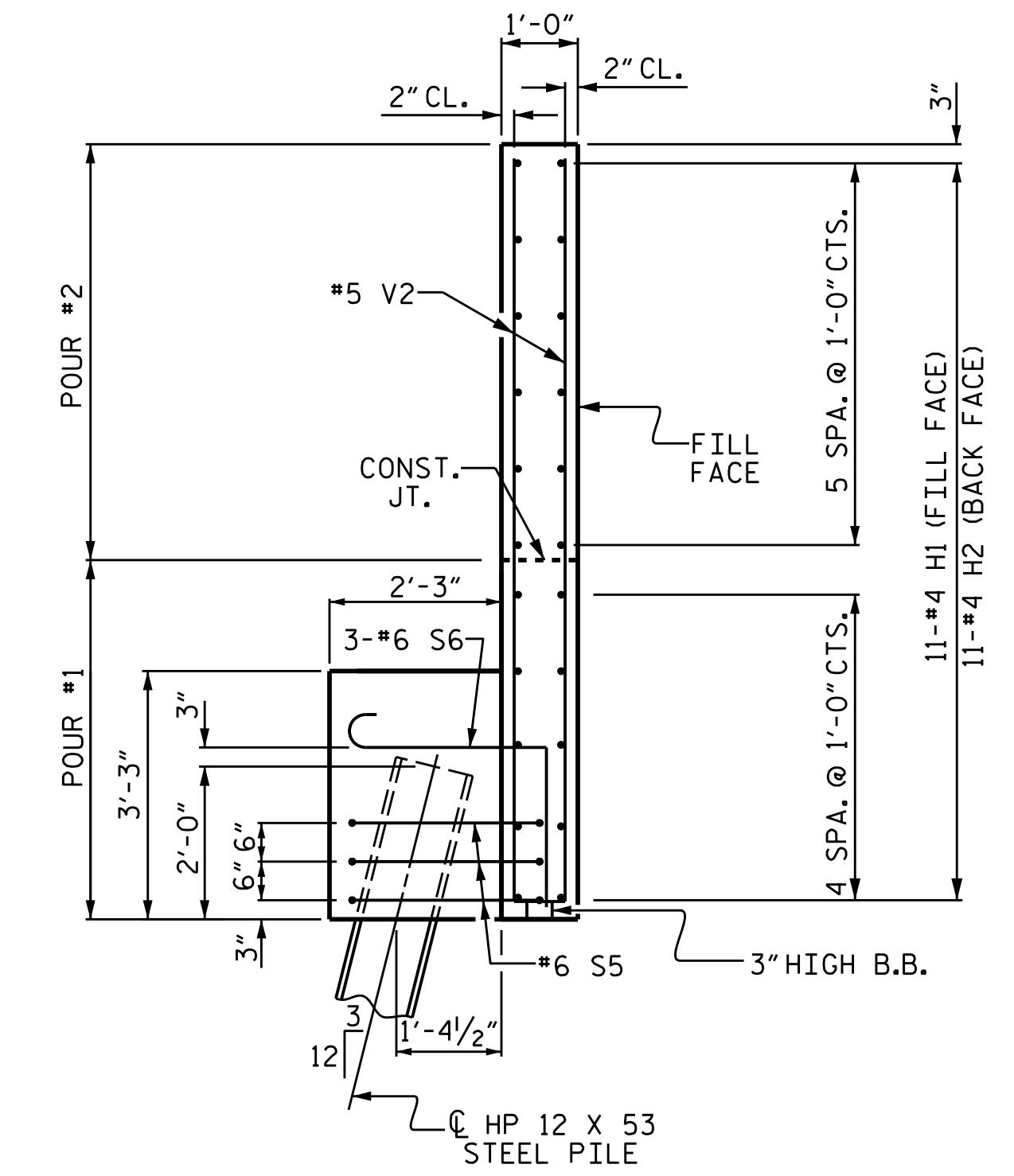
PLAN OF WING (W1)



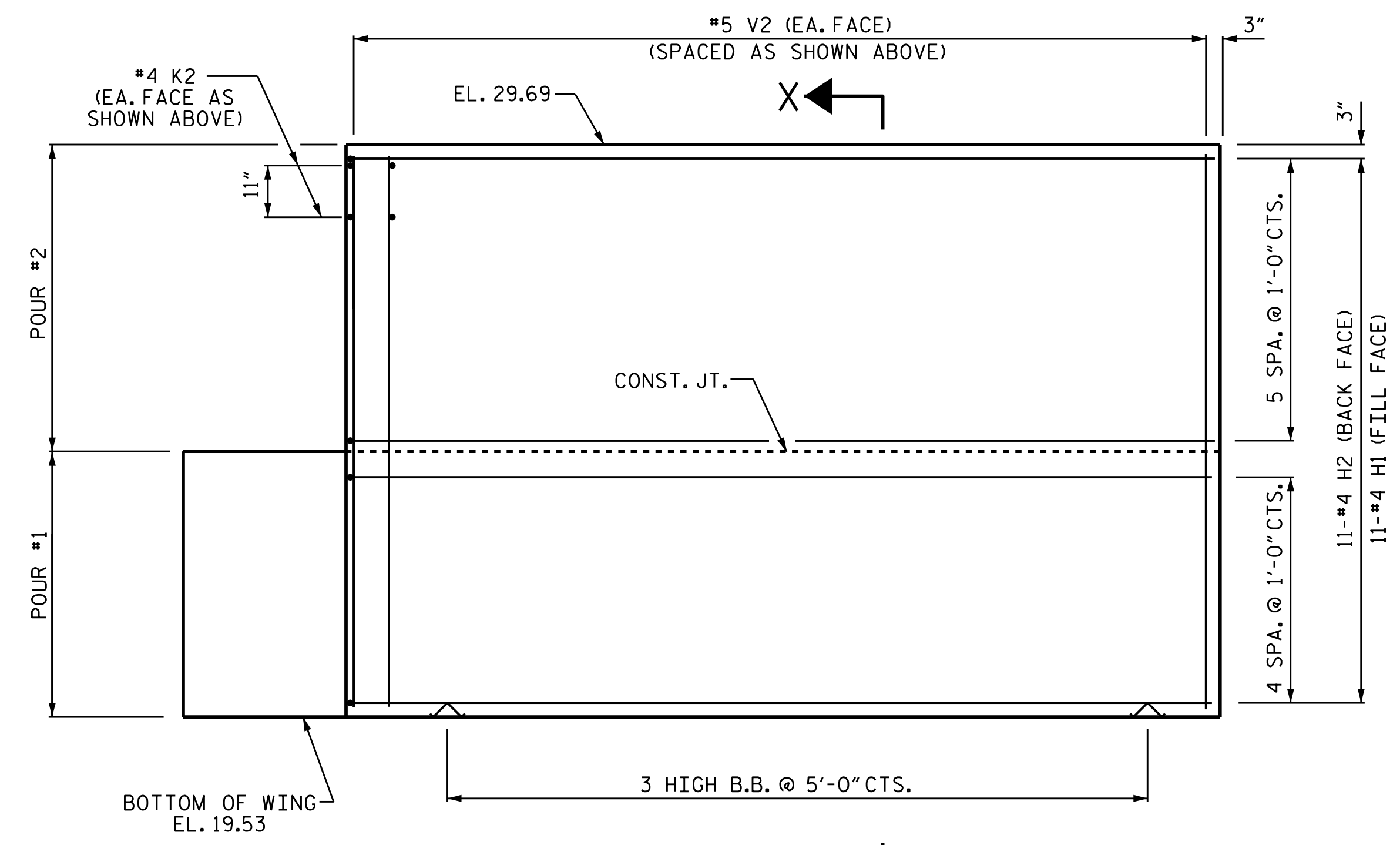
PLAN OF WING (W2)



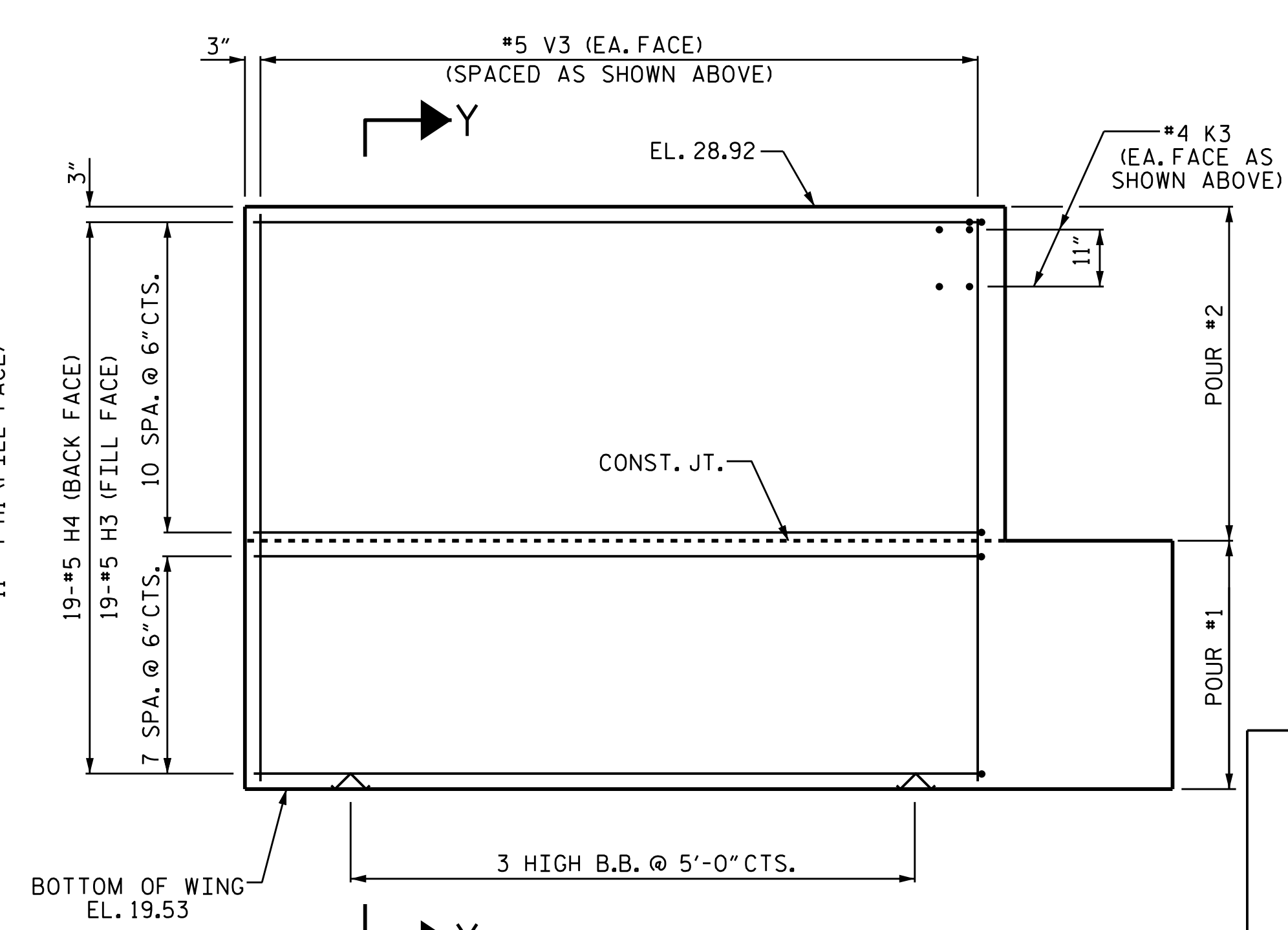
DETAIL "B"



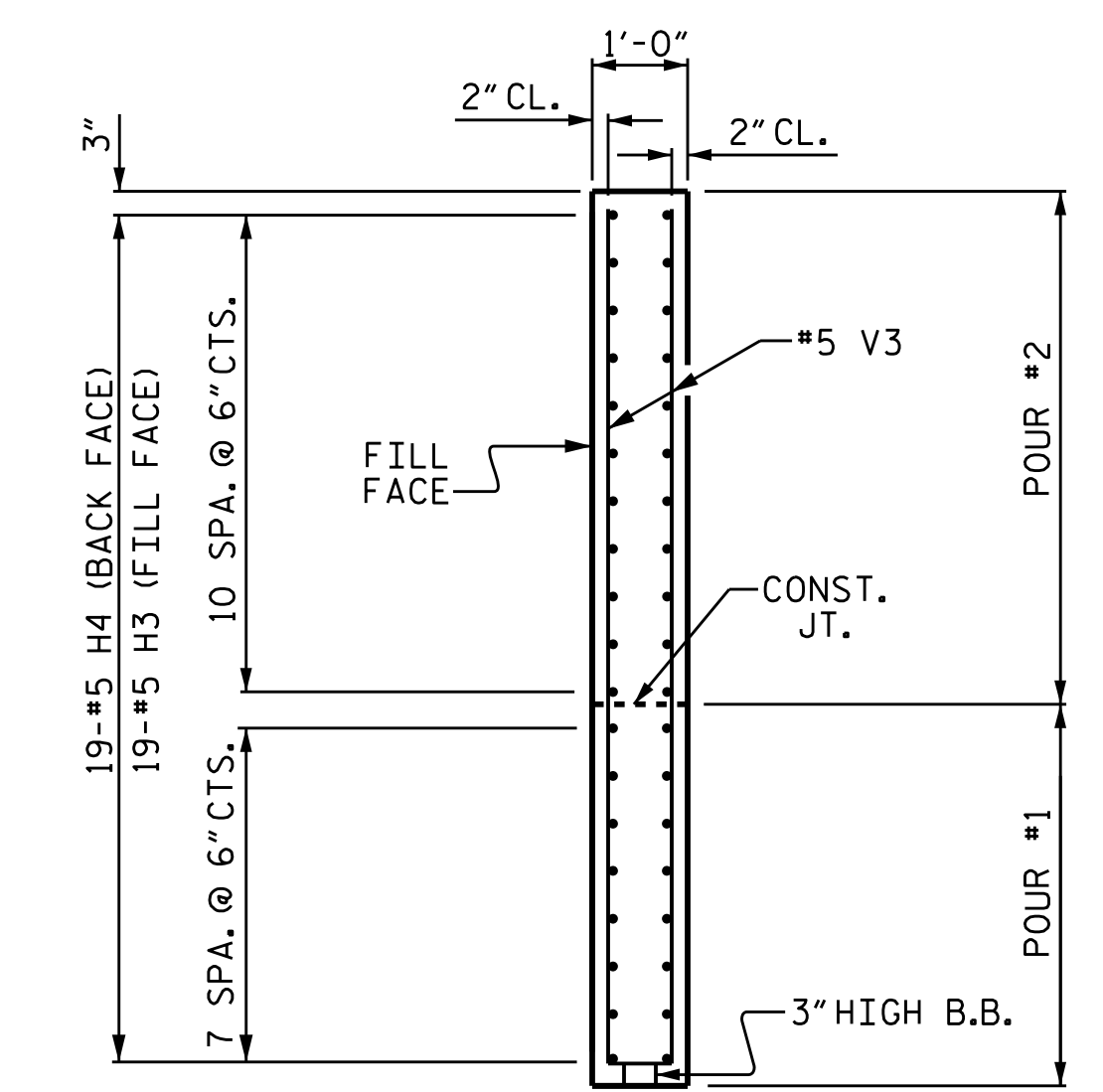
SECTION X-X



ELEVATION OF WING (W1)

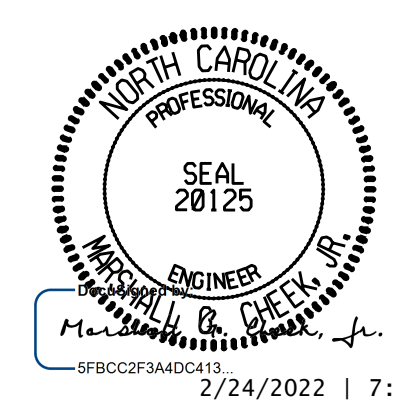


ELEVATION OF WING (W2)



SECTION Y-Y

PROJECT NO. B-4786
 PITT COUNTY
 STATION: 28+03.00 -L-
 SHEET 2 OF 3



STATE OF NORTH CAROLINA
 DEPARTMENT OF TRANSPORTATION
 RALEIGH
 SUBSTRUCTURE
 END BENT 1

DRAWN BY : S. B. WILLIAMS DATE : 6-19
 CHECKED BY : MGC DATE : 6-19
 DESIGN ENGINEER OF RECORD: TBE DATE : 8-19

DOCUMENT NOT CONSIDERED FINAL UNLESS ALL SIGNATURES COMPLETED						REVISIONS			SHEET NO.
NO.	BY:	DATE:	NO.	BY:	DATE:				
1			3			S-35			
2			4			57			