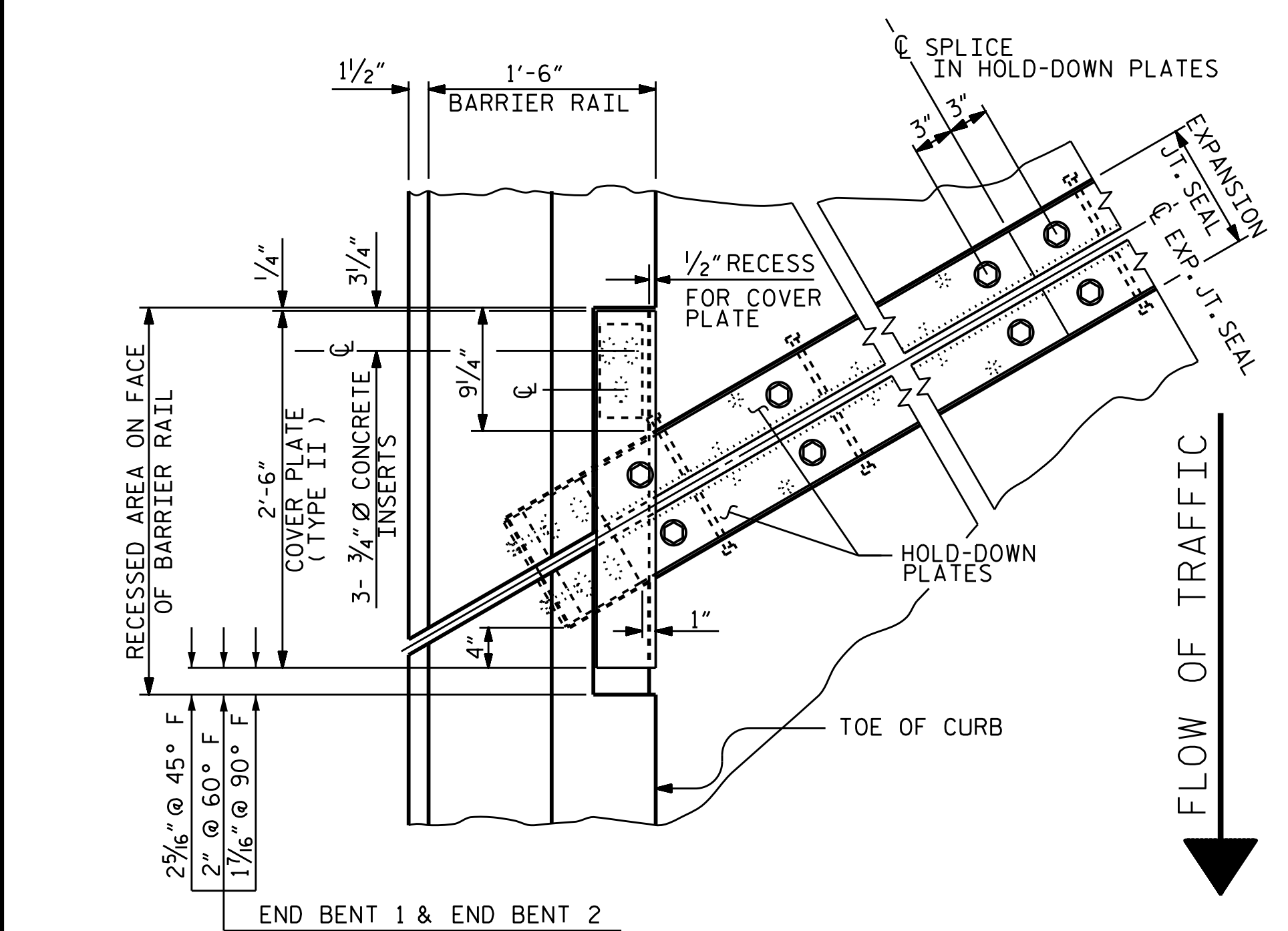
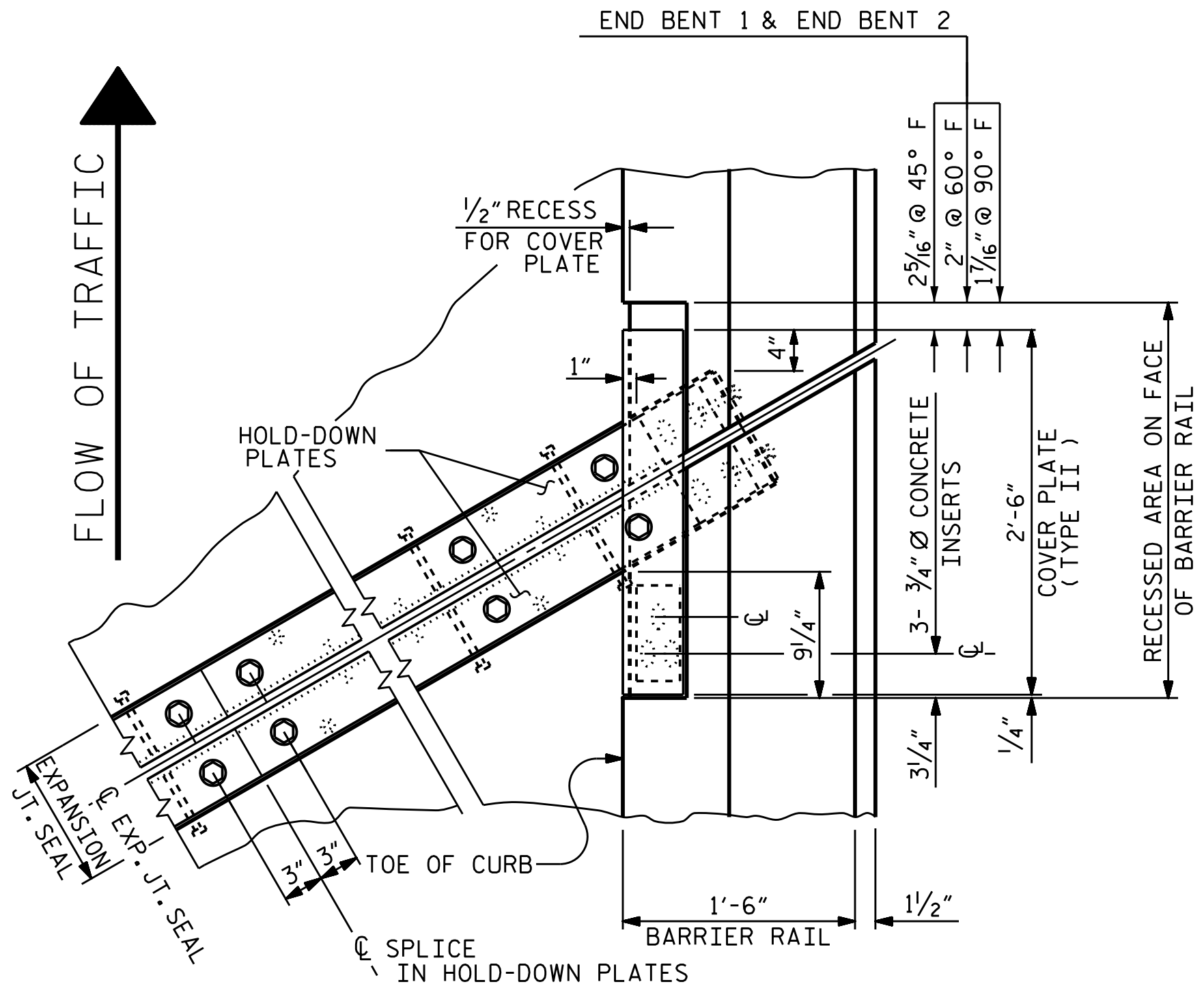


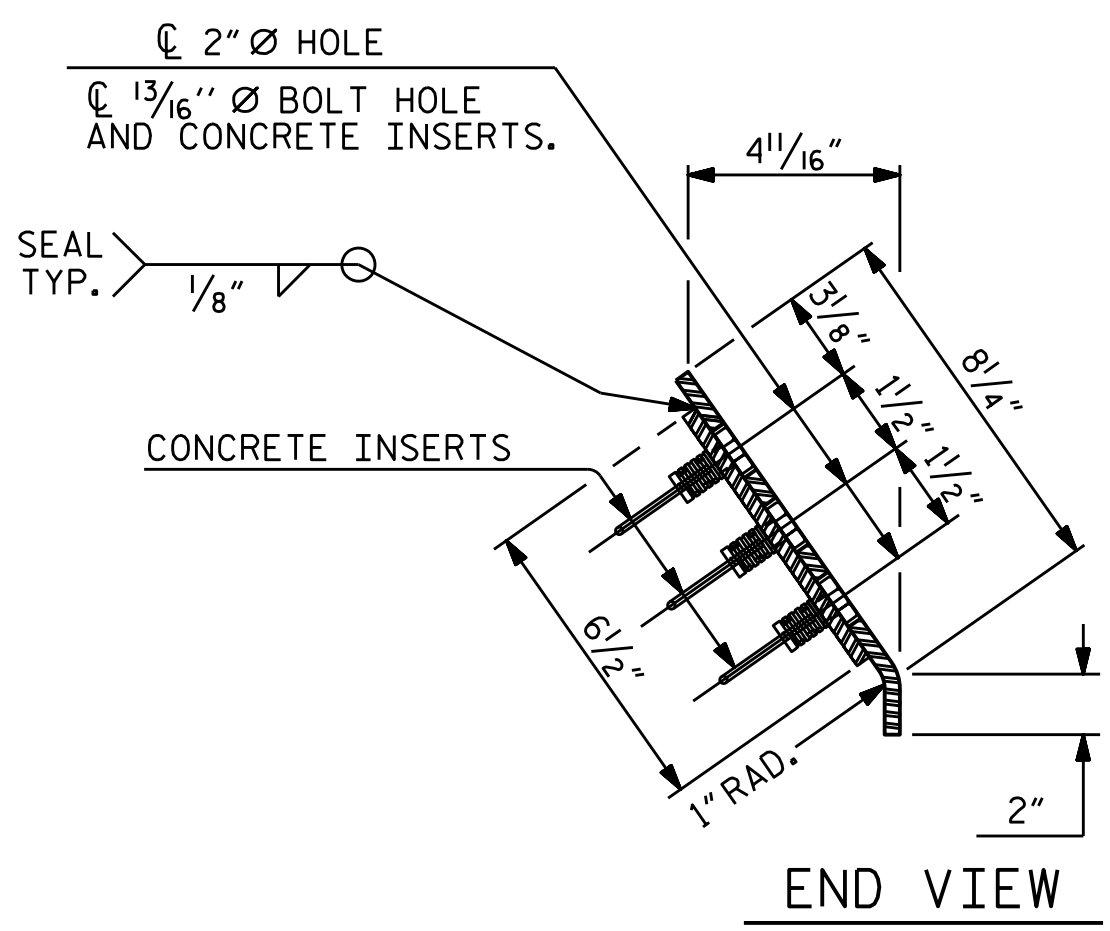
**SECTION THRU RAIL NORMAL TO JOINT**



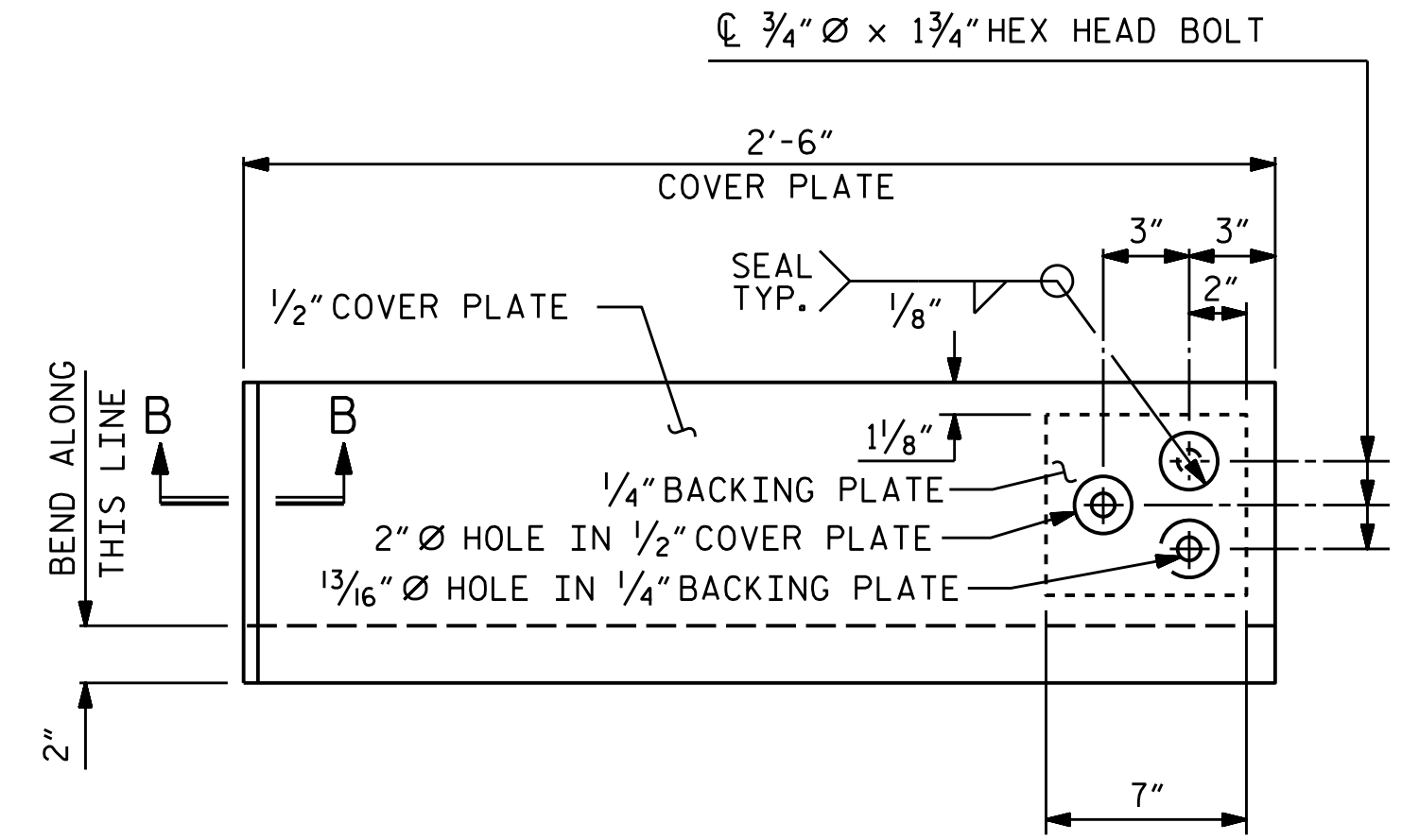
**PLAN OF EXPANSION JOINT SEAL**



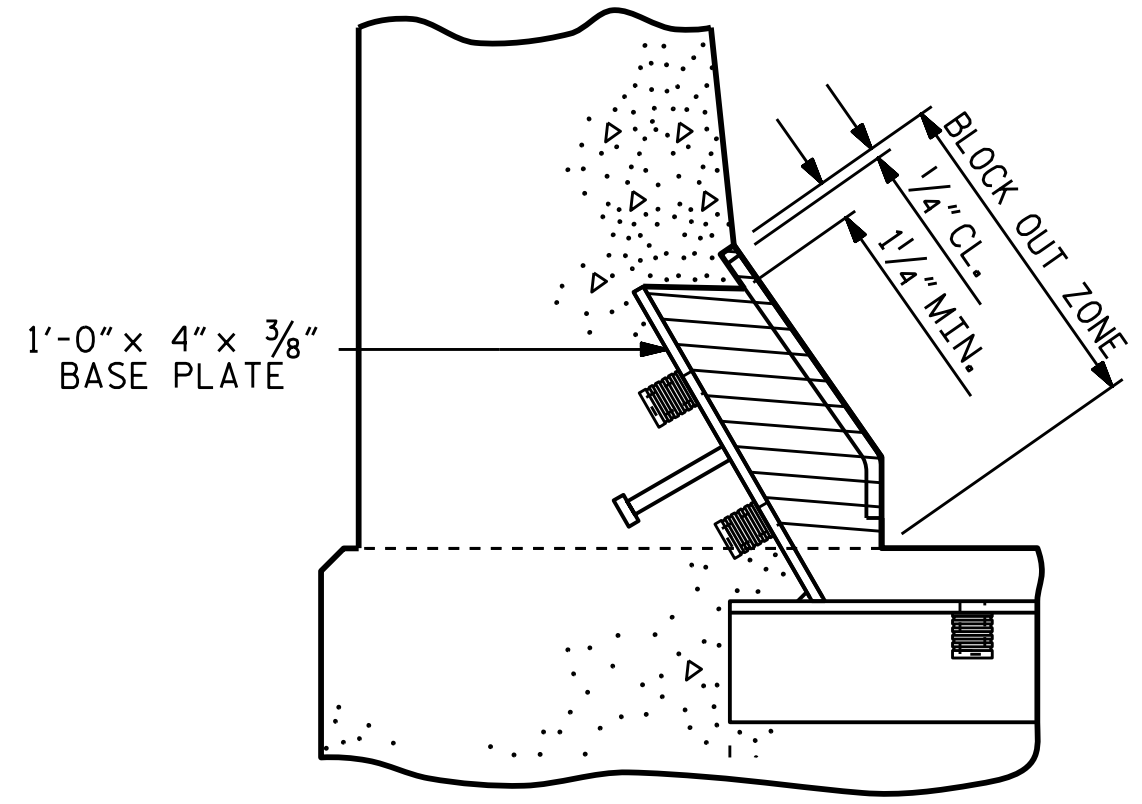
**SECTION A - A**



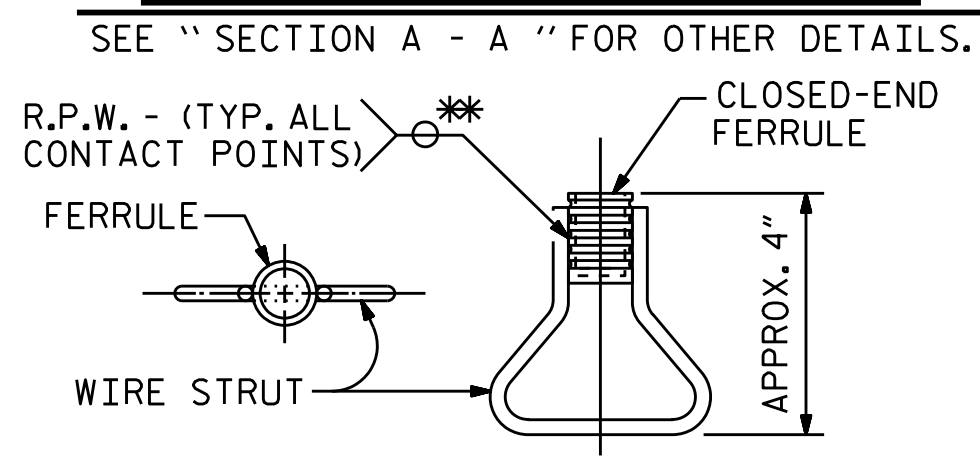
**END VIEW**



**TYPE II - ELEVATION VIEW  
COVER PLATE DETAILS**

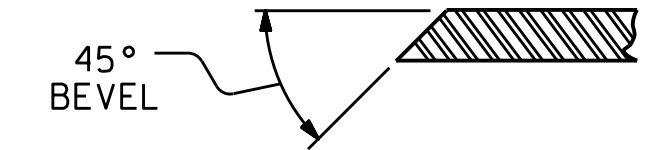


**BLOCK OUT DETAIL**



**CONCRETE INSERT**

\* EACH WELDED ATTACHMENT OF WIRE TO FERRULE SHALL DEVELOP THE TENSILE STRENGTH OF THE WIRE.



**SECTION B - B**

DOCUMENT NOT CONSIDERED FINAL UNLESS ALL SIGNATURES COMPLETED
   
 TGS ENGINEERS
   
 706 HILLSBOROUGH STREET SUITE 200
   
 RALEIGH, NC 27603
   
 PH (919) 773-8887
   
 CORP. LICENSE NO.: C-0275

PROJECT NO. B-4786  
 COUNTY PITT  
 STATION: 28+03.00 -L-

SHEET 2 OF 2

STATE OF NORTH CAROLINA  
 DEPARTMENT OF TRANSPORTATION  
 RALEIGH  
 STANDARD  
 EXPANSION JOINT  
 SEAL DETAILS  
 FOR BARRIER RAIL

REVISIONS						SHEET NO.
NO.	BY:	DATE:	NO.	BY:	DATE:	S-28
1			3			TOTAL SHEETS
2			4			57

ASSEMBLED BY : SBW	DATE : 10-18
CHECKED BY : MGC	DATE : 11/18
DRAWN BY : REK 9/87	REV. 7/12 MAA/GM
CHECKED BY : CRK 10/87	REV. 6/13 MAA/GM
	REV. 12/17 MAA/THC