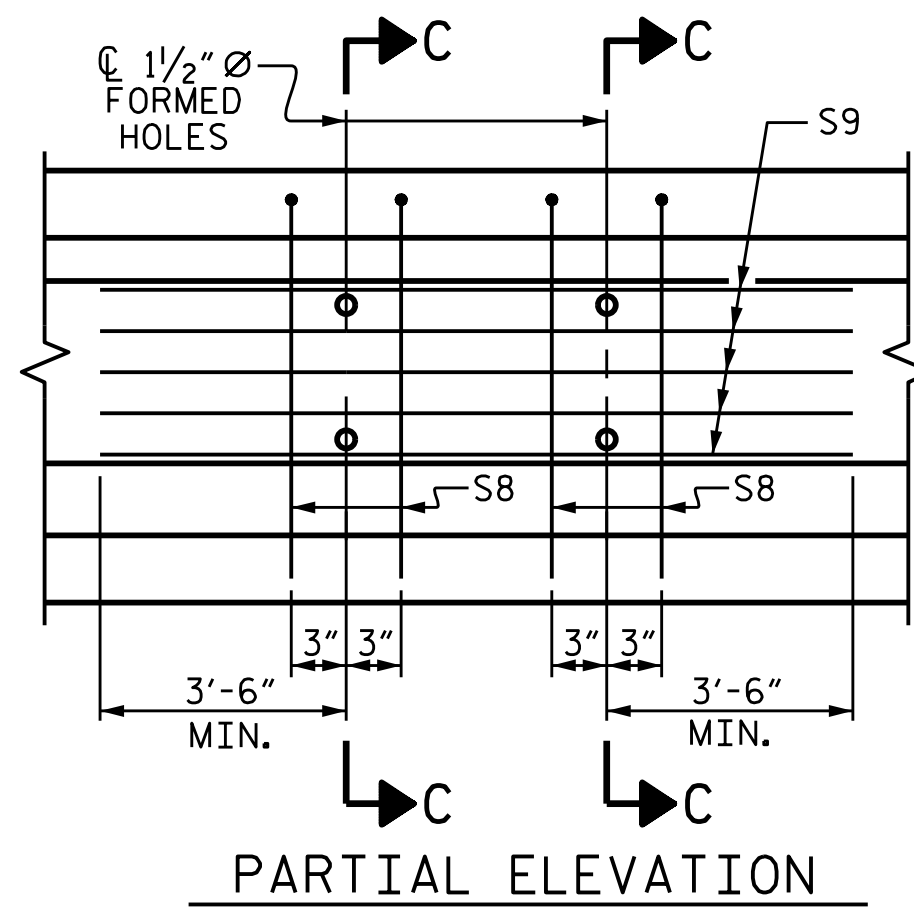


AT END OF GIRDER

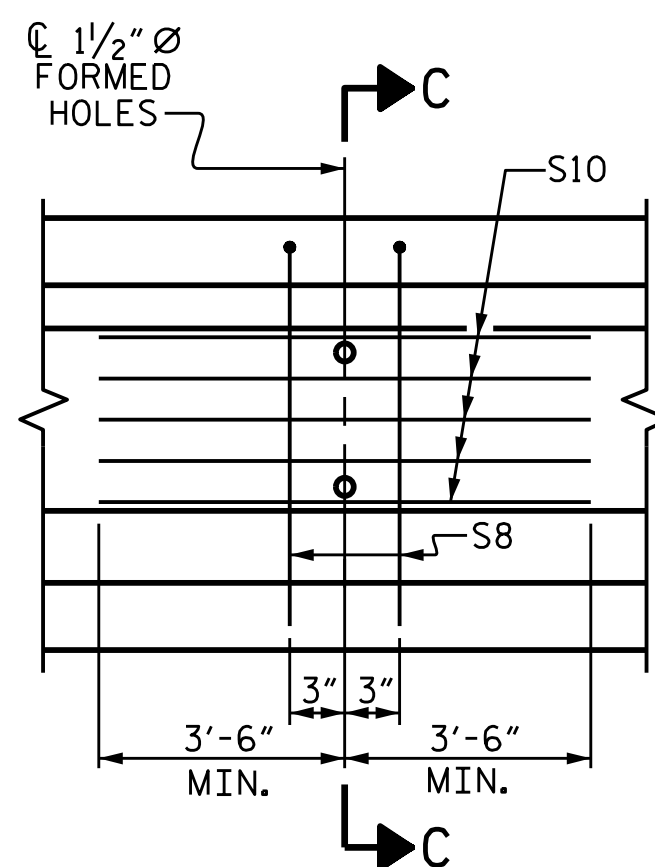
AT C OF GIRDER

0.6" O LOW RELAXATION STRAND LAYOUT

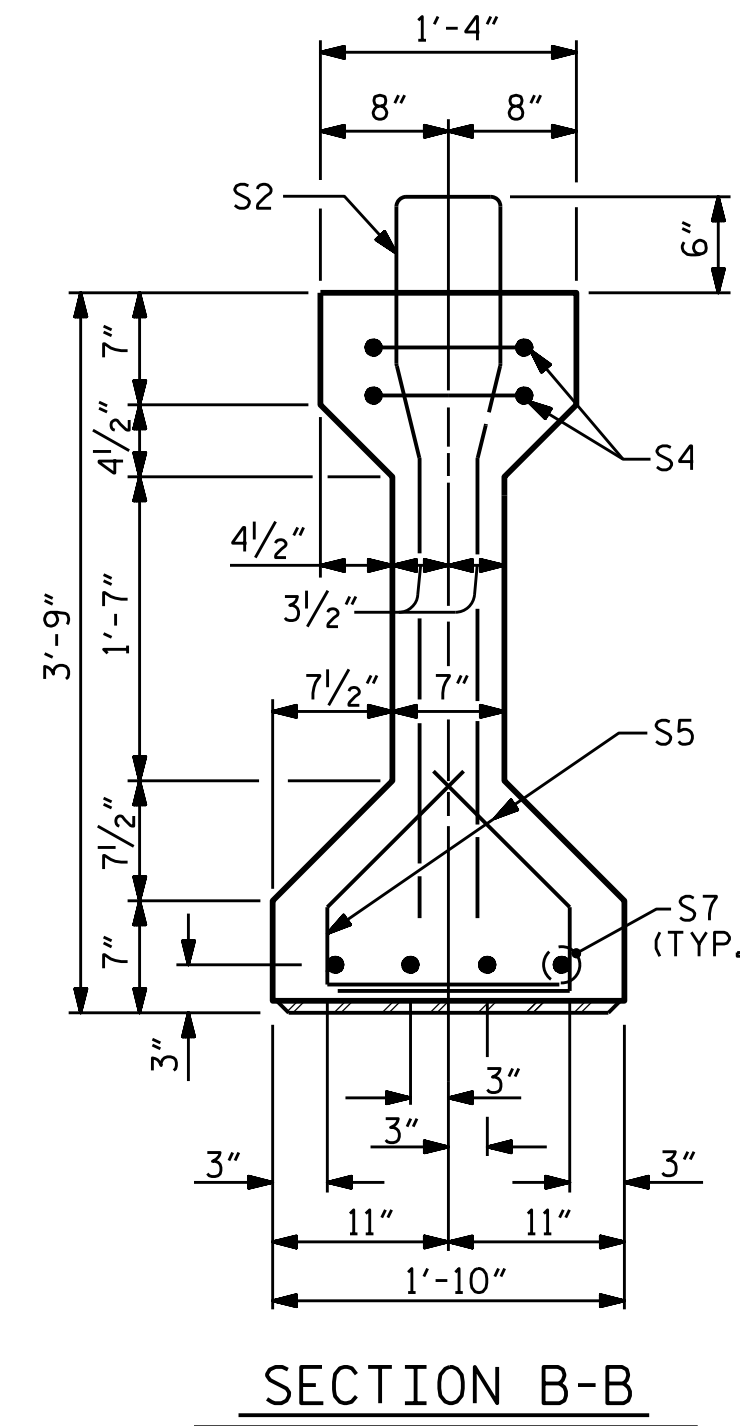
▲ STRANDS DEBONDED FOR A DISTANCE OF 8'-0" FROM END OF GIRDER.



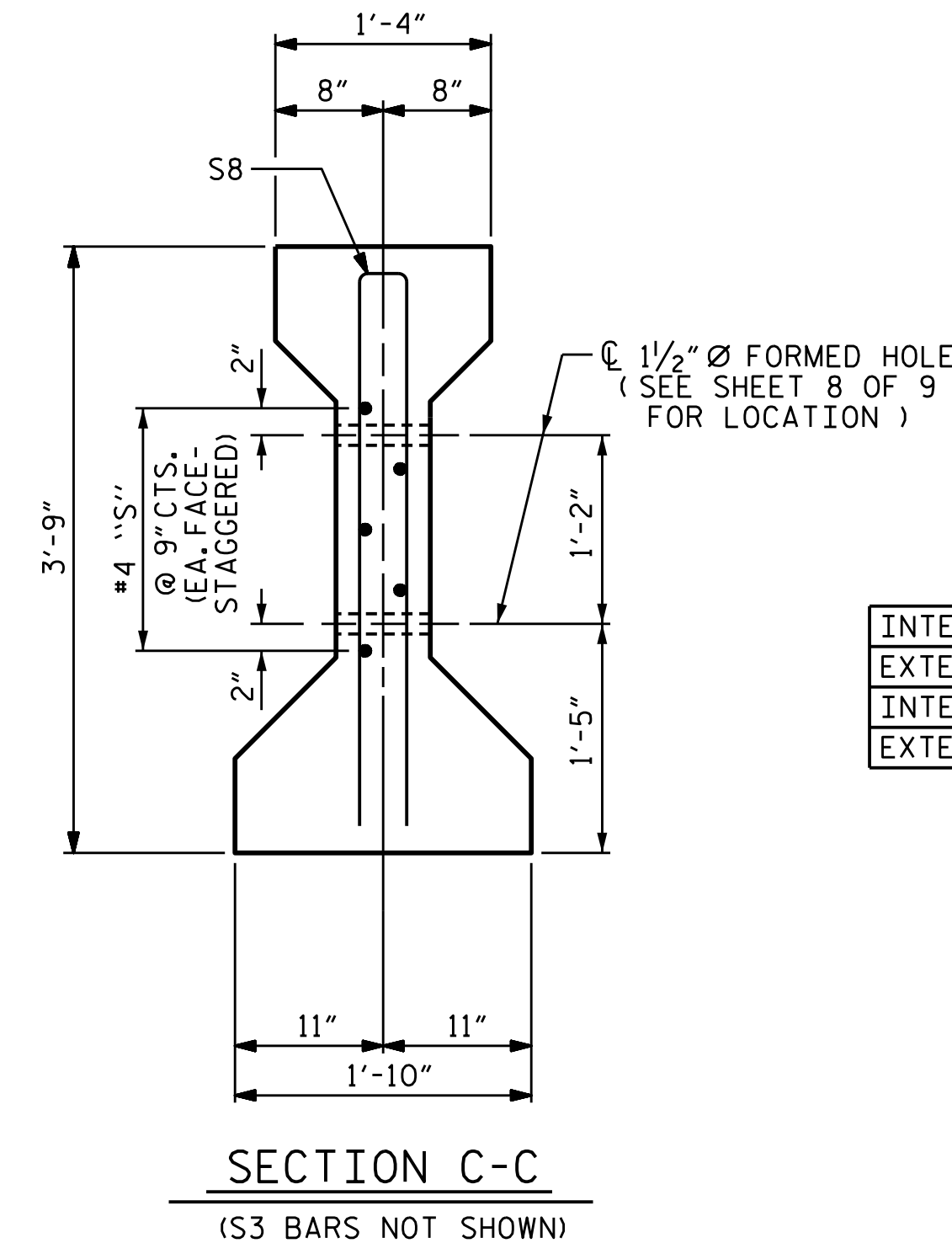
PARTIAL ELEVATION
SHOWING INTERMEDIATE DIAPHRAGM
REINFORCING STEEL FOR GIRDERS 2-4.



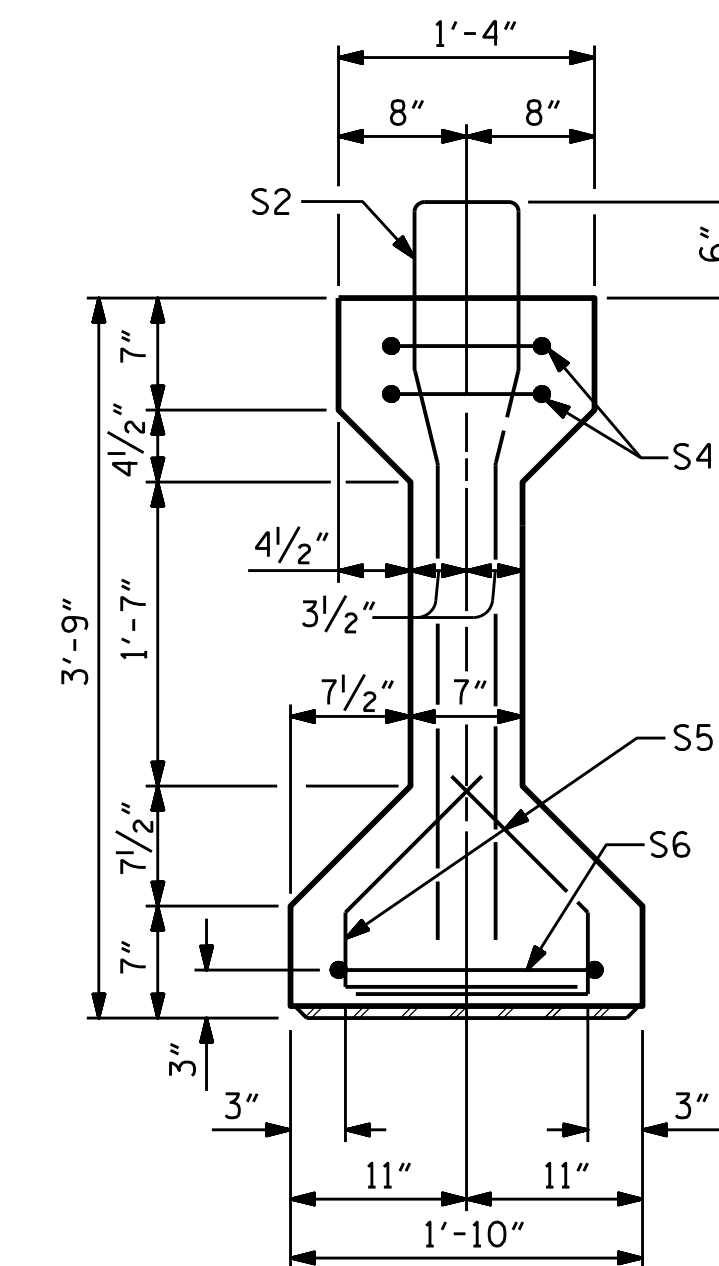
PARTIAL ELEVATION
SHOWING INTERMEDIATE DIAPHRAGM
REINFORCING STEEL FOR GIRDERS 1 & 5.



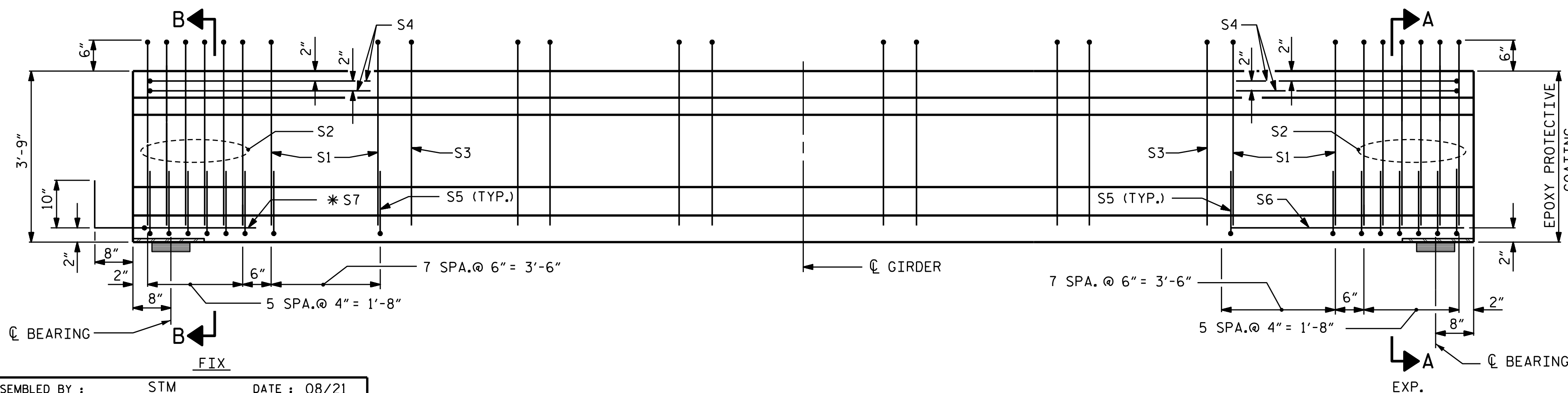
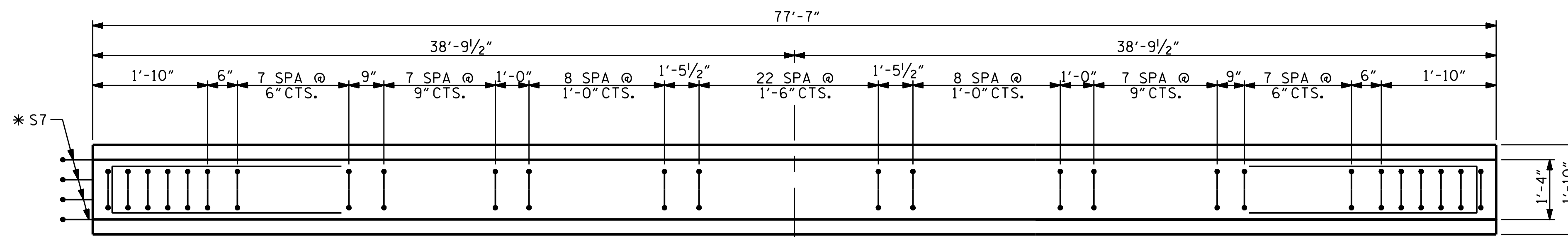
SECTION B-B



SECTION C-C
(S3 BARS NOT SHOWN)



SECTION A-A



ASSEMBLED BY : STM DATE : 08/21
CHECKED BY : MGC DATE : 08/21
DESIGN ENGINEER OF RECORD : STM DATE : 08/21

DRAWN BY : ELR 8/91 MAA/GM
CHECKED BY : GRP 8/91 REV. 1/15 MAA/TMG
REV. 12/17 MAA/THC

9/24/2021
X:\MCDOT\B-4786\Structures\Final plans\DCNs\401.043.B4786.SMU.C5.021.dgn
User: sbwilliams

0.6" O L. R. GRADE 270 STRANDS

AREA (SQUARE INCHES)	ULTIMATE STRENGTH (LBS. PER STRAND)	APPLIED PRESTRESS (LBS. PER STRAND)
0.217	58,600	43,950

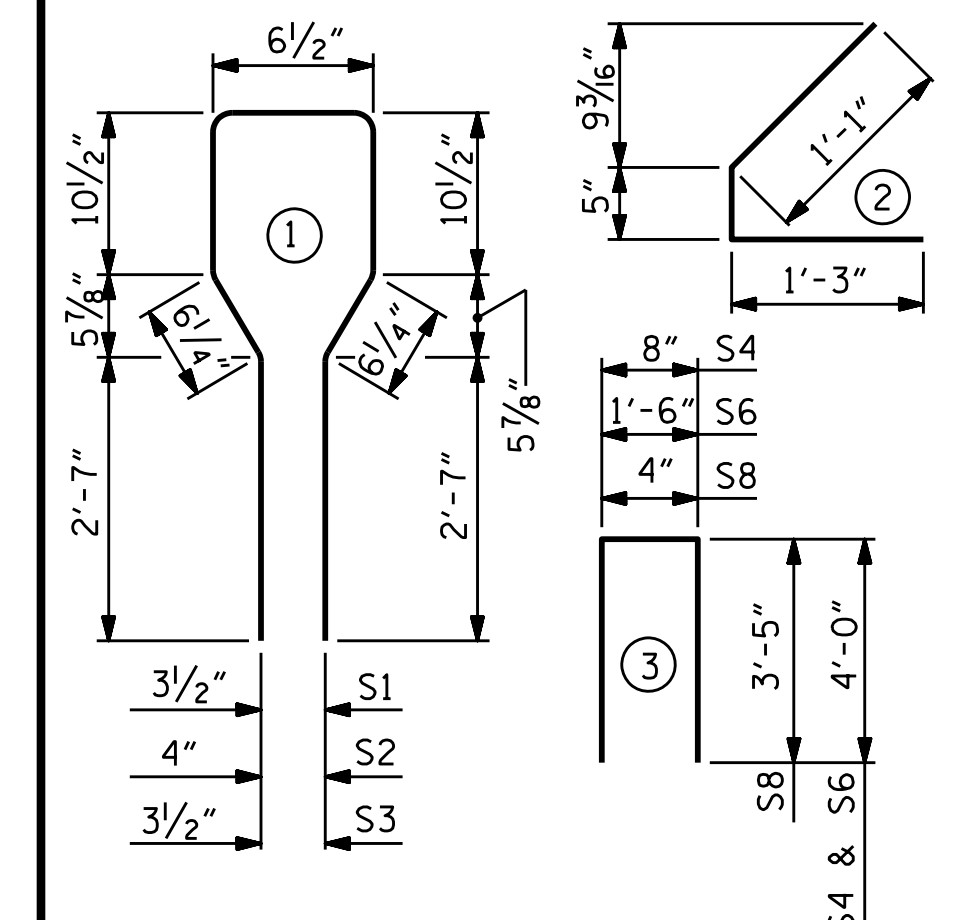
REINFORCING STEEL FOR ONE GIRDER

BAR	NUMBER	SIZE	TYPE	LENGTH	WEIGHT
S1	16	#5	1	8'-6"	142
S2	12	#6	1	8'-6"	153
S3	57	#4	1	8'-6"	324
S4	4	#4	3	8'-8"	23
S5	56	#4	2	2'-9"	103
S6	1	#4	3	9'-6"	6
*S7	4	#5	STR	3'-8"	15
S8	4	#5	3	7'-2"	30
S8	2	#5	3	7'-2"	15
S9	5	#4	STR	12'-0"	40
S10	5	#4	STR	7'-0"	23

* NOTE: S7 BARS SHALL BE BENT BEFORE SHIPMENT. HEAT BENDING SHALL NOT BE ALLOWED.

BAR TYPES

ALL BAR DIMENSIONS ARE OUT-TO-OUT



QUANTITIES FOR ONE GIRDER

	REINFORCING STEEL LB.	8,000 PSI CONCRETE C.Y.	0.6" O L. R. STRANDS No.
GIRDER 2-4	836	10.5	28
GIRDER 1 & 5	804	10.5	28

GIRDERS REQUIRED

NUMBER	LENGTH	TOTAL LENGTH
5	77'-7"	387'-11"

PROJECT NO. B-4786

PITT COUNTY

STATION: 28+03.00 -L-

SHEET 5 OF 9



DOCUMENT NOT CONSIDERED FINAL
UNLESS ALL SIGNATURES COMPLETED

TGS ENGINEERS
706 HILLSBOROUGH STREET
SUITE 200
RALEIGH, NC 27603
PH (919) 773-8887
CORP. LICENSE NO.: C-0275

STATE OF NORTH CAROLINA
DEPARTMENT OF TRANSPORTATION
RALEIGH

STANDARD
AASHTO TYPE III
PRESTRESSED CONCRETE GIRDER
CONTINUOUS FOR LIVE LOAD
SPAN H

REVISIONS						SHEET NO.
NO.	BY:	DATE:	NO.	BY:	DATE:	S-21
1			3			TOTAL SHEETS
2			4			57

STD. NO. PCG5