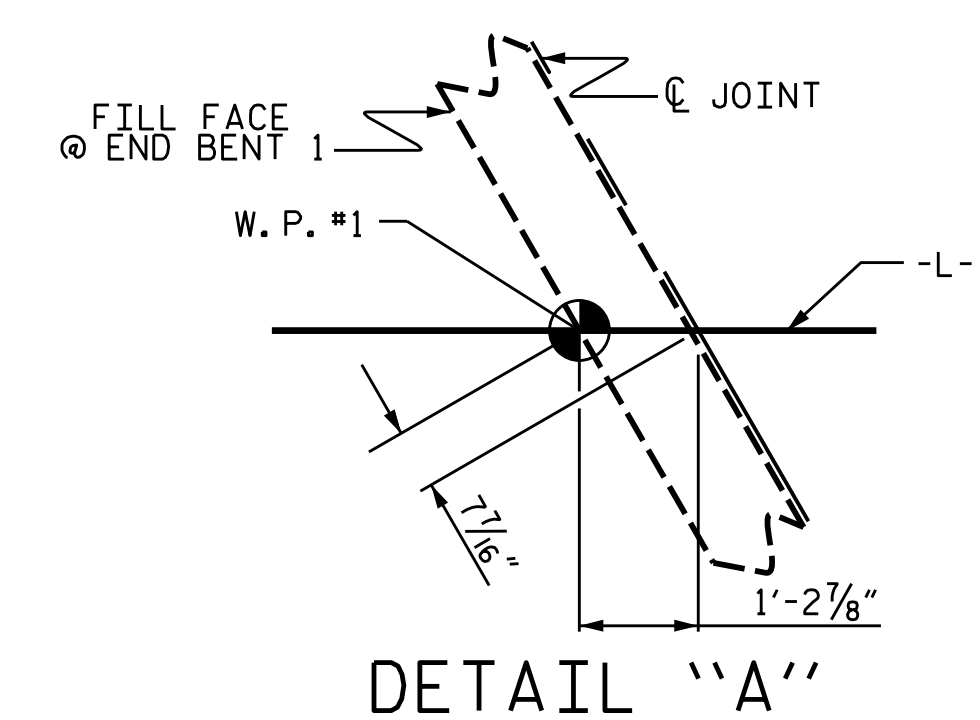


DRAWN BY : SBW DATE : 8-18
 CHECKED BY : MGC DATE : 11-18
 DESIGN ENGINEER OF RECORD: TBE DATE : 9-19

9/24/2021
 X:\NCDOT\B-4786\Structures\Final plans\DCNs\B-4786.SMU. S1.730038.dgn
 Users\sbwilliams



PARTIAL PLAN OF SPANS A & B

FOR SECTION A-A AND B-B, SEE "TYPICAL SECTION DETAILS", SHEET 2 OF 2.
 FOR BARRIER RAIL DETAILS AND REINFORCING STEEL, SEE "CONCRETE BARRIER RAIL" SHEETS.
 FOR PLACEMENT OF #4 J1 BAR, SEE "EXPANSION JOINT SEAL DETAILS" SHEETS.
 FOR ELECTRICAL CONDUIT SYSTEM, SEE "ELECTRICAL CONDUIT SYSTEM FOR SIGNALS" SHEET.

DOCUMENT NOT CONSIDERED FINAL
 UNLESS ALL SIGNATURES COMPLETED

TGS ENGINEERS
 706 HILLSBOROUGH STREET
 SUITE 200
 RALEIGH, NC 27603
 PH (919) 773-8887
 CORP. LICENSE NO.: C-0275

2/24/2022 | 7:41 AM EST

STATE OF NORTH CAROLINA
 DEPARTMENT OF TRANSPORTATION
 RALEIGH

PLAN OF SPAN

PROJECT NO. B-4786
 PITT COUNTY
 STATION: 28+03.00 -L-

SHEET 1 OF 5

REVISIONS						SHEET NO.
NO.	BY:	DATE:	NO.	BY:	DATE:	
1			3			S-11
2			4			TOTAL SHEETS 57