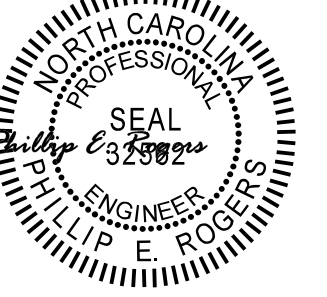
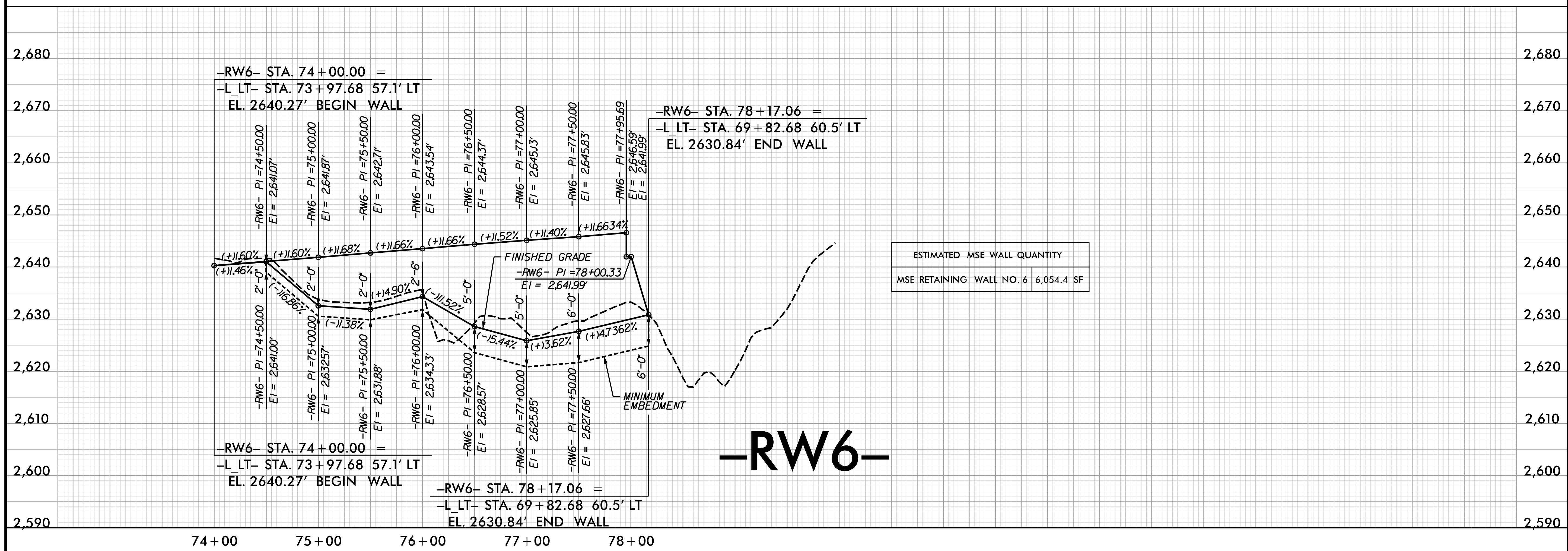
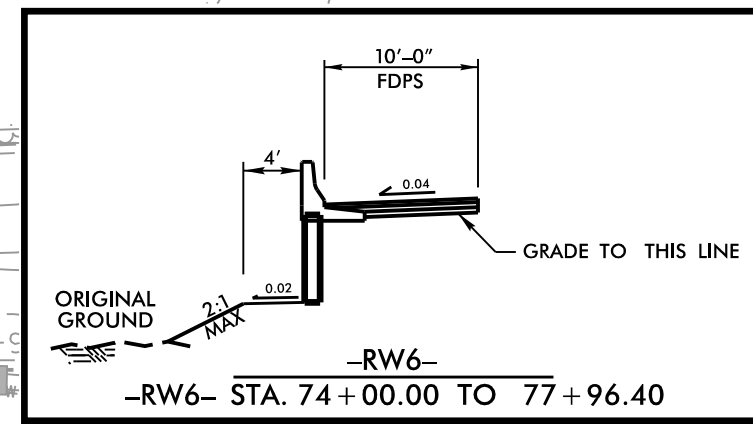
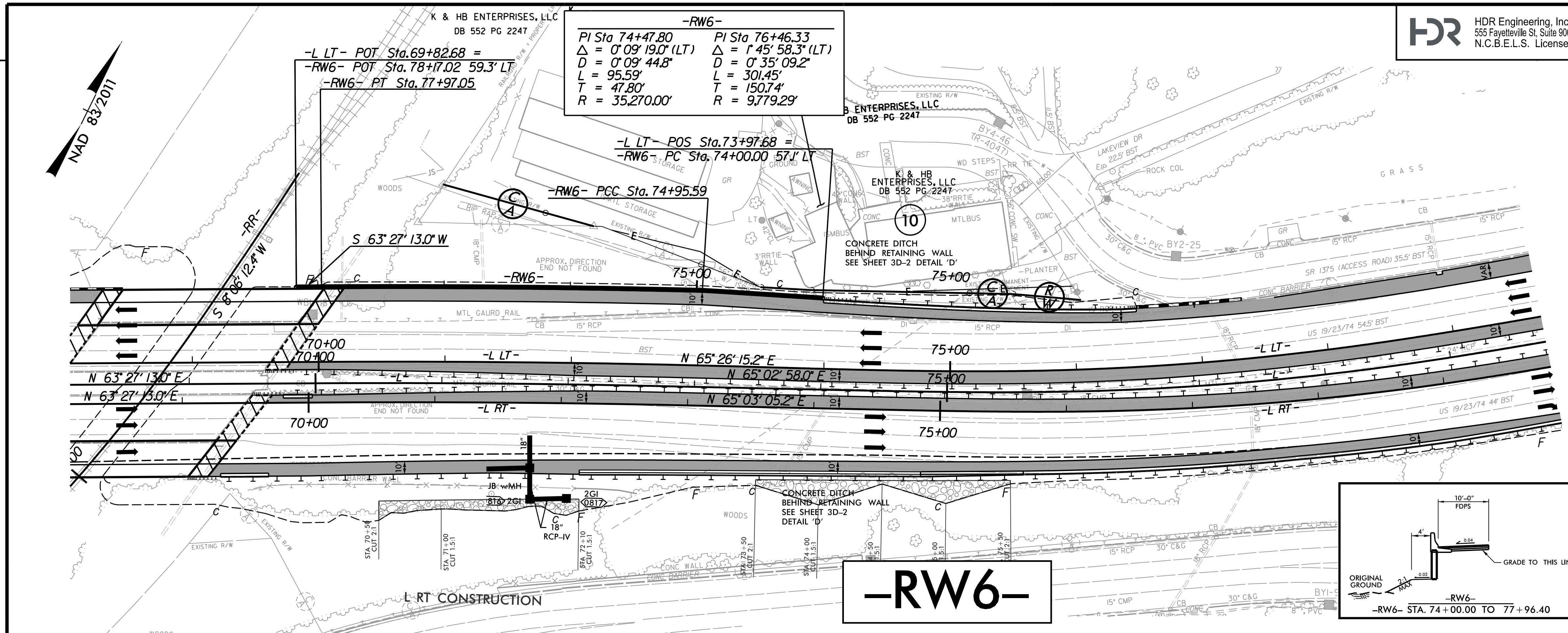


PROJECT REFERENCE NO. B-3186 / B-5898	SHEET NO. W-05
ROADWAY DESIGN ENGINEER	HYDRAULICS ENGINEER
 3/31/2022	
DOCUMENT NOT CONSIDERED FINAL UNLESS ALL SIGNATURES COMPLETED	



PLOT DRIVER: NCDOT_color_eng_50.plt
 USER: PPETERSON
 DATE: 3/31/2022
 TIME: 1:37:18 PM
 FILE: \

REVISIONS