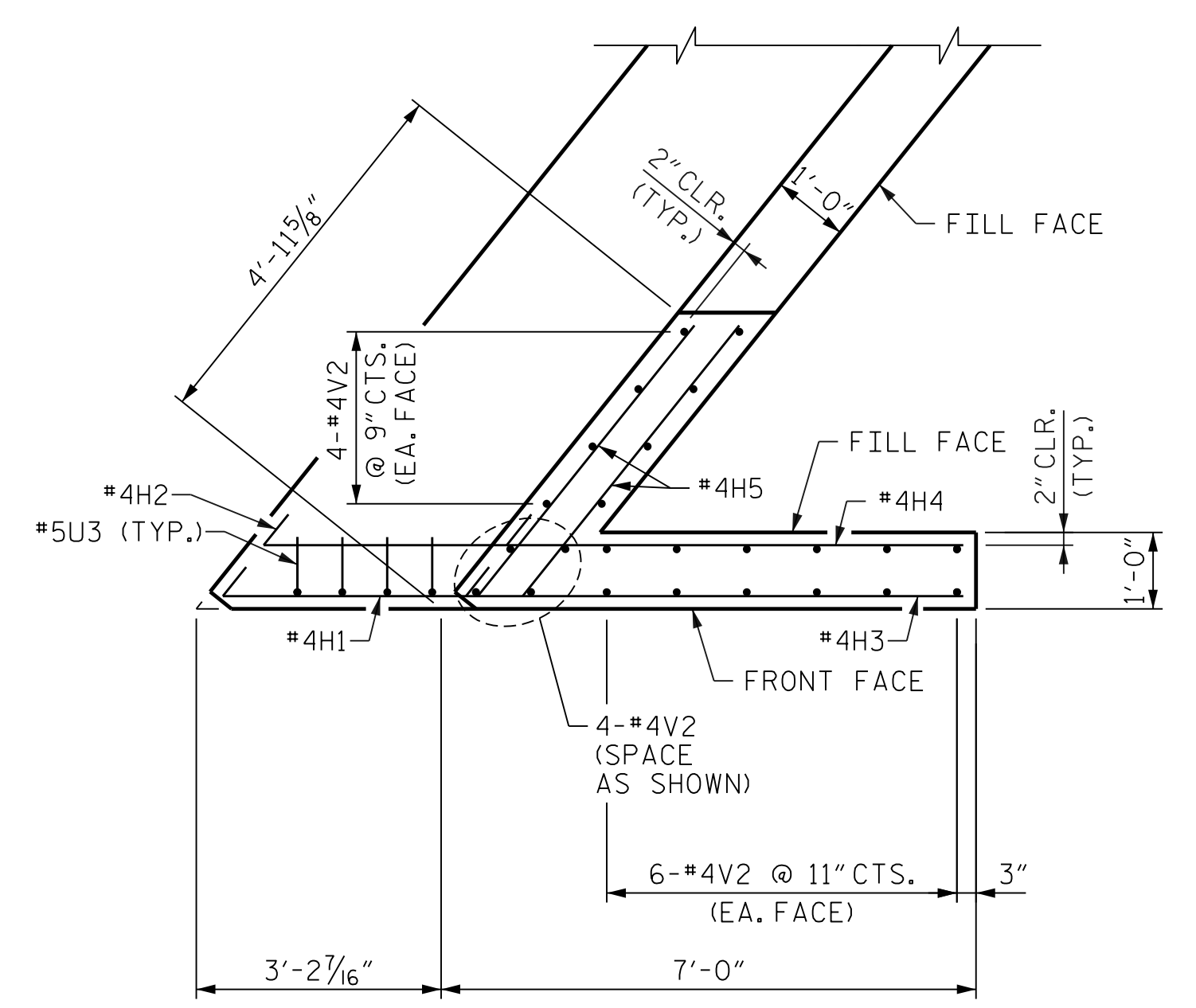
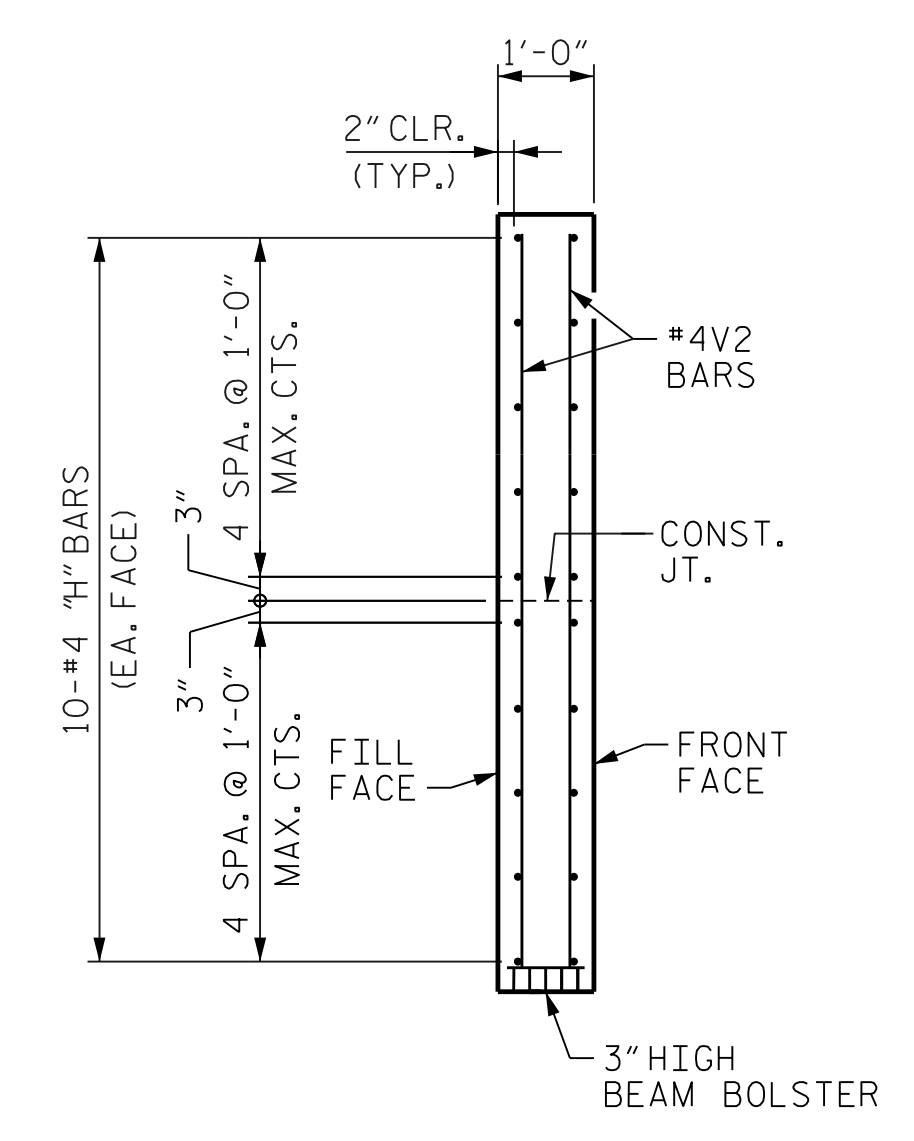


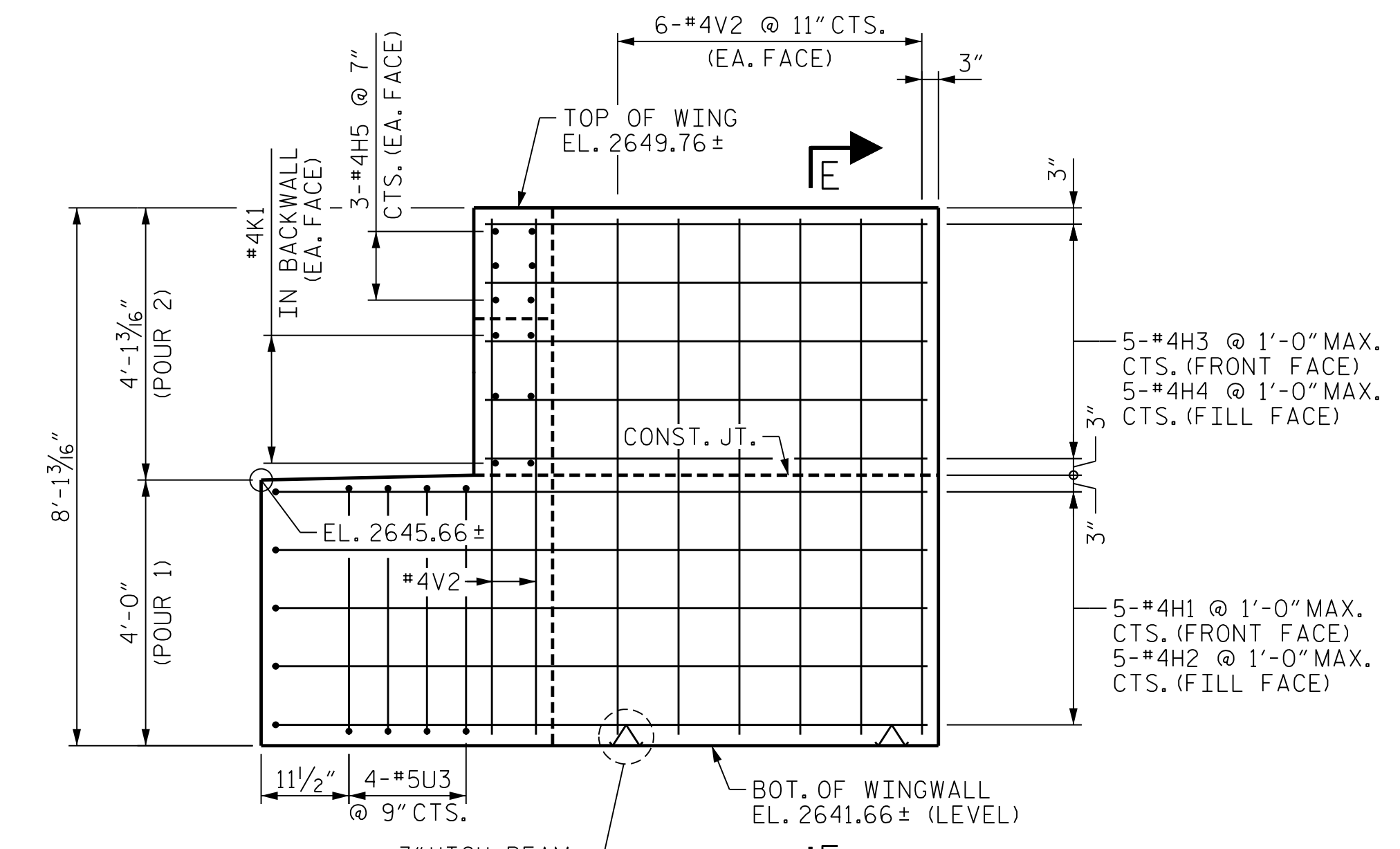
PLOT DRIVER: NCDOT STRUCTURES DEFAULT PLOTTER.plt
 PENTABLE: NCDOT STRUCTURES DEFAULT PEN.tbl
 USER: PETERSON DATE: 1/24/2022 TIME: 2:44:59 PM
 FILE: ... \404.215.B5898B3186.SMU.E2.044.430107.dgn



PLAN - WINGWALL (W1)



SECTION E-E



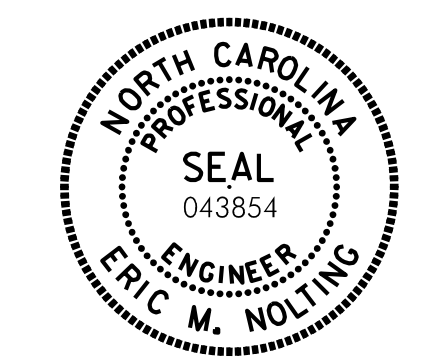
ELEVATION - WINGWALL (W1)

PROJECT NO. B-3186/B-5898
HAYWOOD COUNTY
 STATION: 68+65.75 ± -L-RT-

SHEET 2 OF 3

STATE OF NORTH CAROLINA
 DEPARTMENT OF TRANSPORTATION
 RALEIGH

SUBSTRUCTURE
 END BENT 2
 WINGWALL



Eric Nolting 1/25/2022

DES BY: B. ROGERS	DATE: 05/21	DWG BY: B. PETERSON	DATE: 05/21
DES CHK: F. CORDOVA	DATE: 06/21	CHK BY: F. CORDOVA	DATE: 06/21



DOCUMENT NOT CONSIDERED FINAL
 UNLESS ALL SIGNATURES COMPLETED

REVISIONS					
NO.	BY:	DATE:	NO.	BY:	DATE:
1	--	--	3	--	--
2	--	--	4	--	--

SHEET NO. S03R-44
TOTAL SHEETS 61