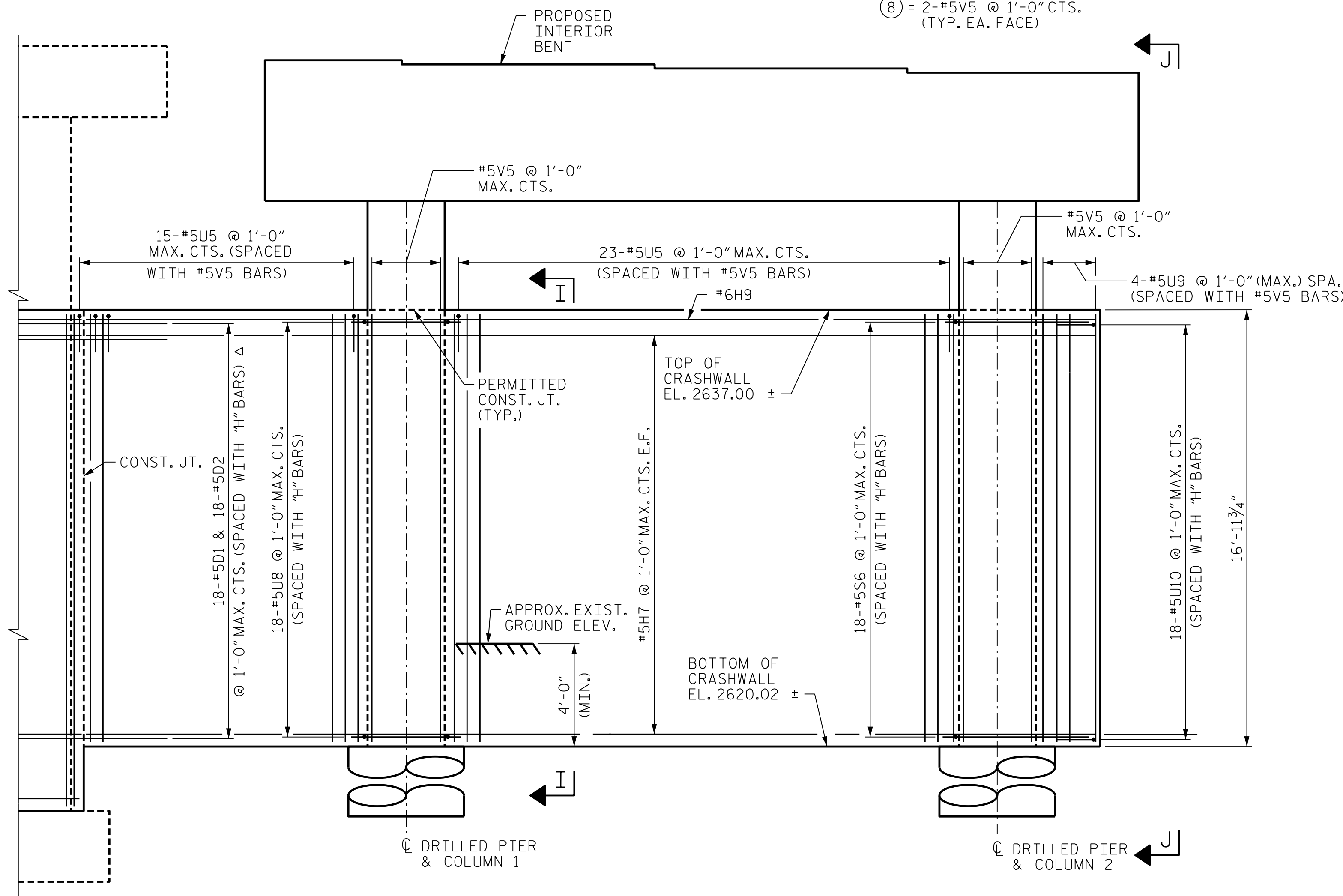


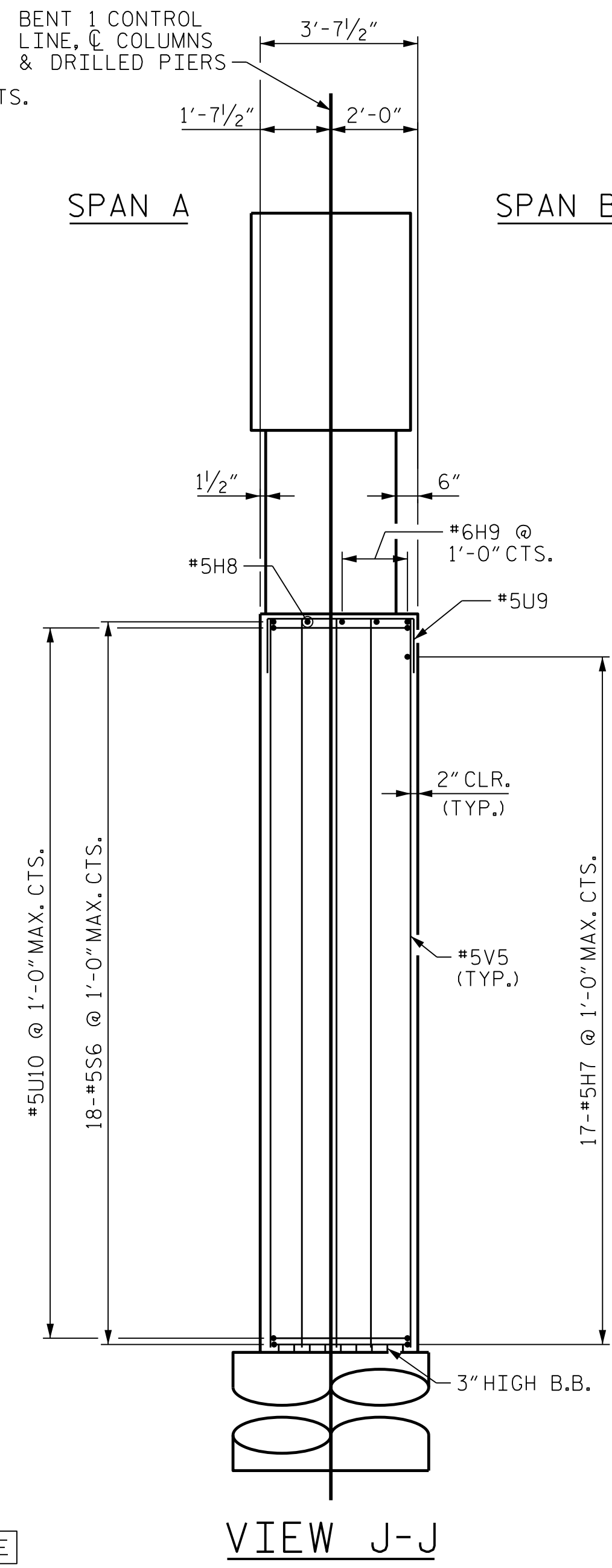
**PLAN**  
(COLUMN REINFORCING NOT SHOWN FOR CLARITY)

- ⑥ = 2 SPA. @ 6" (TYP. EA. FACE)
- ⑦ = 4-#5V5 @ 1'-0" MAX. CTS.
- ⑧ = 2-#5V5 @ 1'-0" CTS. (TYP. EA. FACE)
- ⑨ = 3-#5V5 @ 1'-0" MAX. CTS.

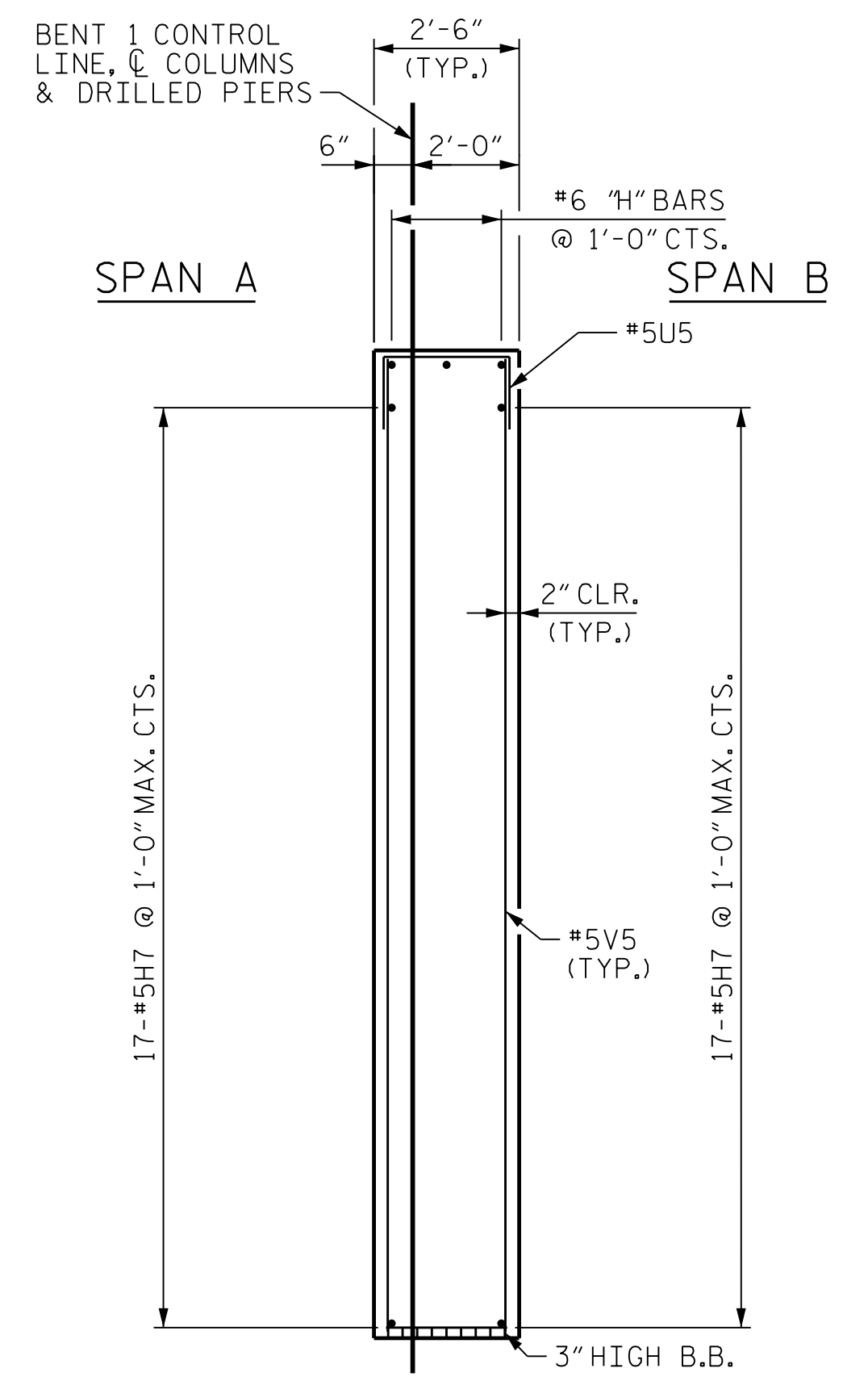


**ELEVATION OF CRASHWALL**  
(COLUMN REINFORCING NOT SHOWN FOR CLARITY)

Δ = 3'-0" MIN. SPLICE



**VIEW J-J**



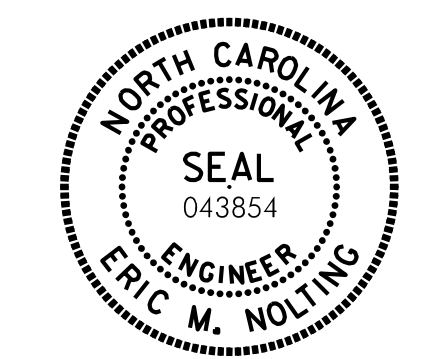
**SECTION I-I**

PROJECT NO. B-3186/B-5898  
HAYWOOD COUNTY  
 STATION: 68+65.75± -L-RT-

SHEET 3 OF 4

STATE OF NORTH CAROLINA  
 DEPARTMENT OF TRANSPORTATION  
 RALEIGH

**SUBSTRUCTURE  
 BENT 1  
 CRASHWALL**

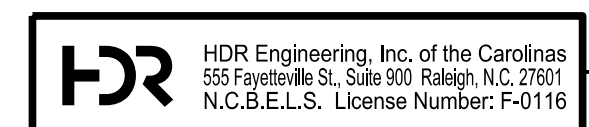


Eric Nolting 1/25/2022

REVISIONS						SHEET NO. S03R-37
NO.	BY:	DATE:	NO.	BY:	DATE:	
1	--	--	3	--	--	TOTAL SHEETS 61
2	--	--	4	--	--	

PLOT DRIVER: NCDOT STRUCTURES DEFAULT PLOTTER.plt PENTABLE: NCDOT STRUCTURES DEFAULT PEN.tbl  
 USER: PPRETOSO DATE: 1/24/2022 TIME: 2:42:18 PM  
 FILE: ... \404.180.B5898B3186.SMU.B1.037\_430107.dgn

DES BY: D. MAST- DATE: 07/21 DWG BY: D. CARTER DATE: 07/21  
 DES CHK: E. NOLTING DATE: 08/21 CHK BY: E. NOLTING DATE: 08/21



DOCUMENT NOT CONSIDERED FINAL  
 UNLESS ALL SIGNATURES COMPLETED