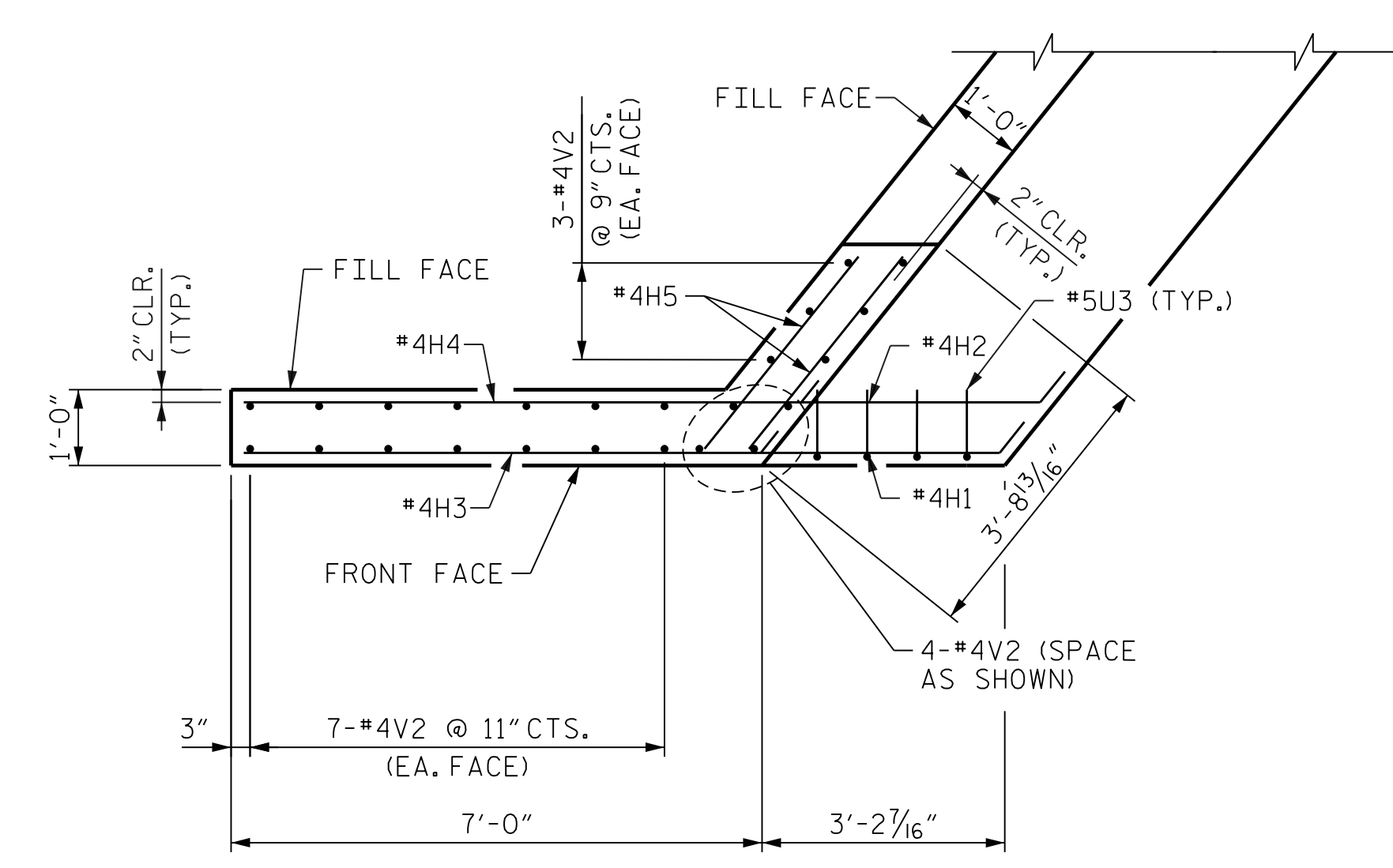
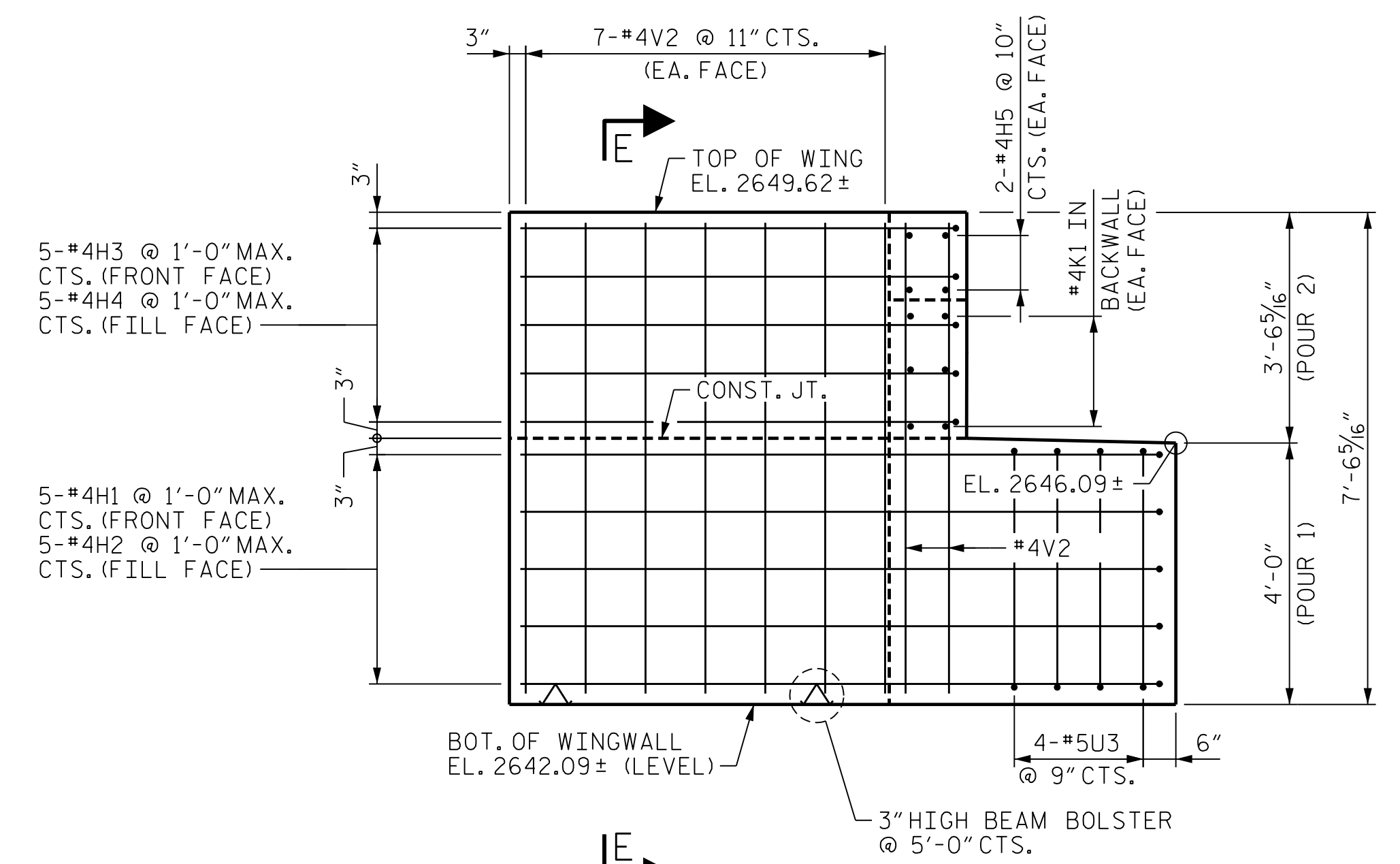


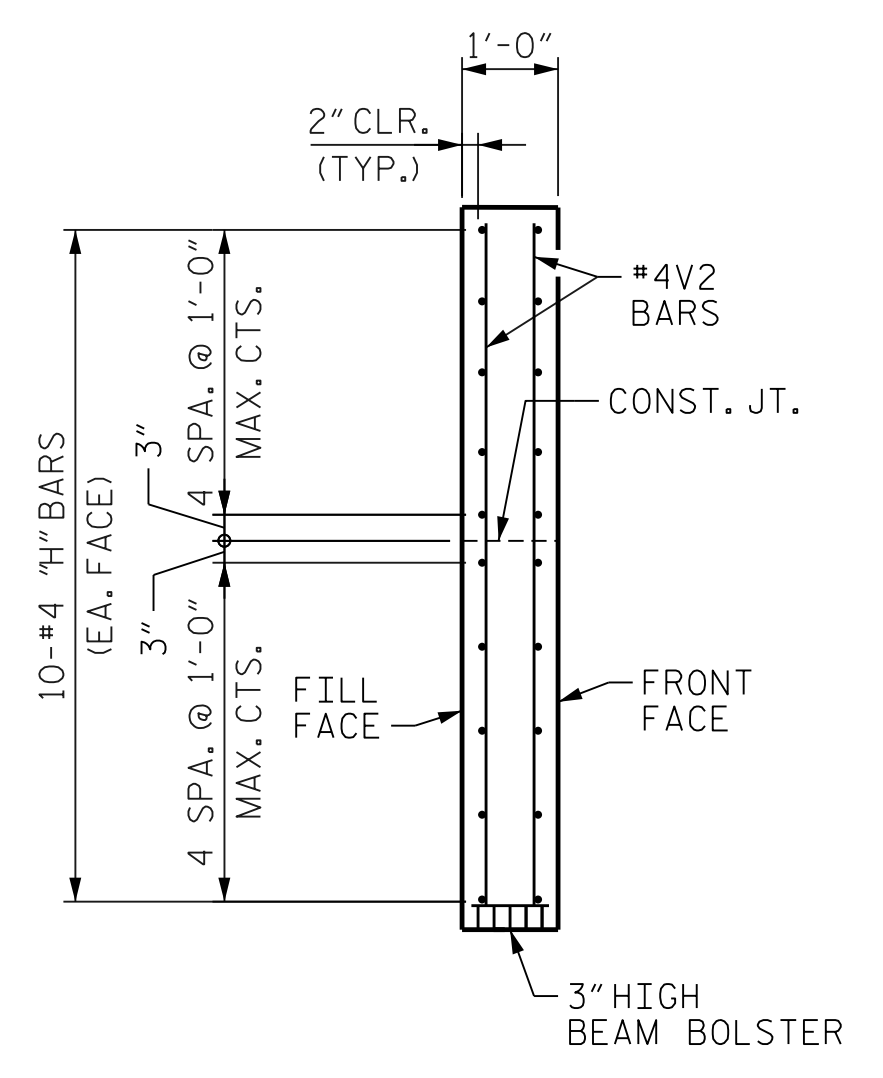
PLOT DRIVER: NCDOT_STRUCTURES_DEFAULT_PLOTTER.plt PENTABLE: NCDOT_STRUCTURES_DEFAULT_PEN.tbl
USER: PETERSON DATE: 1/24/2022 TIME: 2:40:40 PM
FILE: ... \404.160.B5898B3186.SMU.EI.033_430107.dgn



PLAN - WINGWALL (W1)



ELEVATION - WINGWALL (W1)



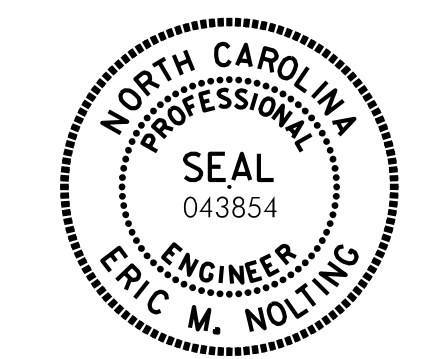
SECTION E-E

PROJECT NO. B-3186/B-5898
HAYWOOD COUNTY
STATION: 68+65.75± -L-RT-

SHEET 2 OF 3

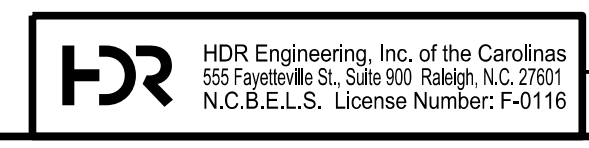
STATE OF NORTH CAROLINA
DEPARTMENT OF TRANSPORTATION
RALEIGH

SUBSTRUCTURE
END BENT 1
WINGWALL



Eric Nolting 1/25/2022

DES BY: <u>B. ROGERS</u>	DATE: <u>05/21</u>	DWG BY: <u>B. PETERSON</u>	DATE: <u>05/21</u>
DES CHK: <u>F. CORDOVA</u>	DATE: <u>06/21</u>	CHK BY: <u>F. CORDOVA</u>	DATE: <u>06/21</u>



DOCUMENT NOT CONSIDERED FINAL
UNLESS ALL SIGNATURES COMPLETED

REVISIONS					
NO.	BY:	DATE:	NO.	BY:	DATE:
1	--	--	3	--	--
2	--	--	4	--	--

SHEET NO. S03R-33
TOTAL SHEETS 61