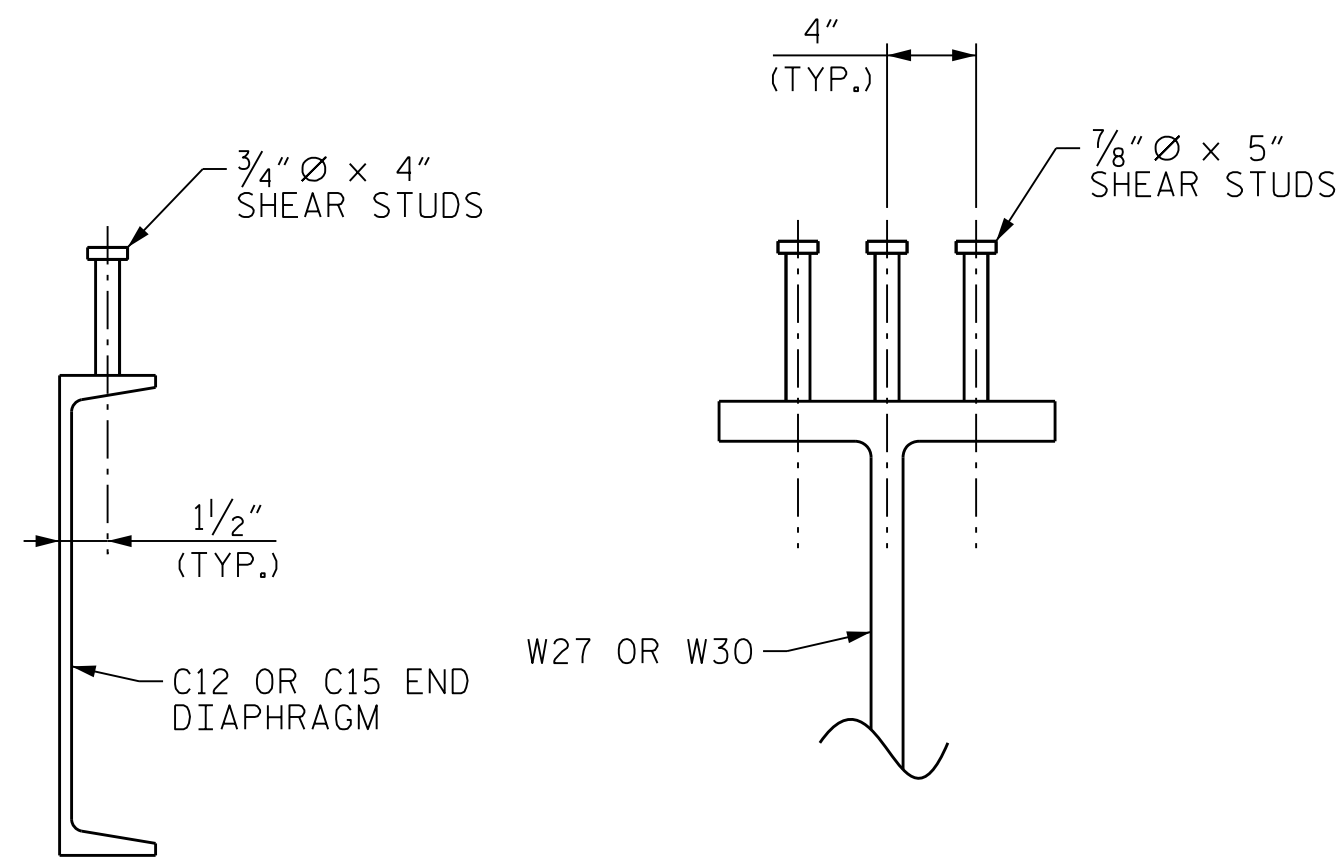
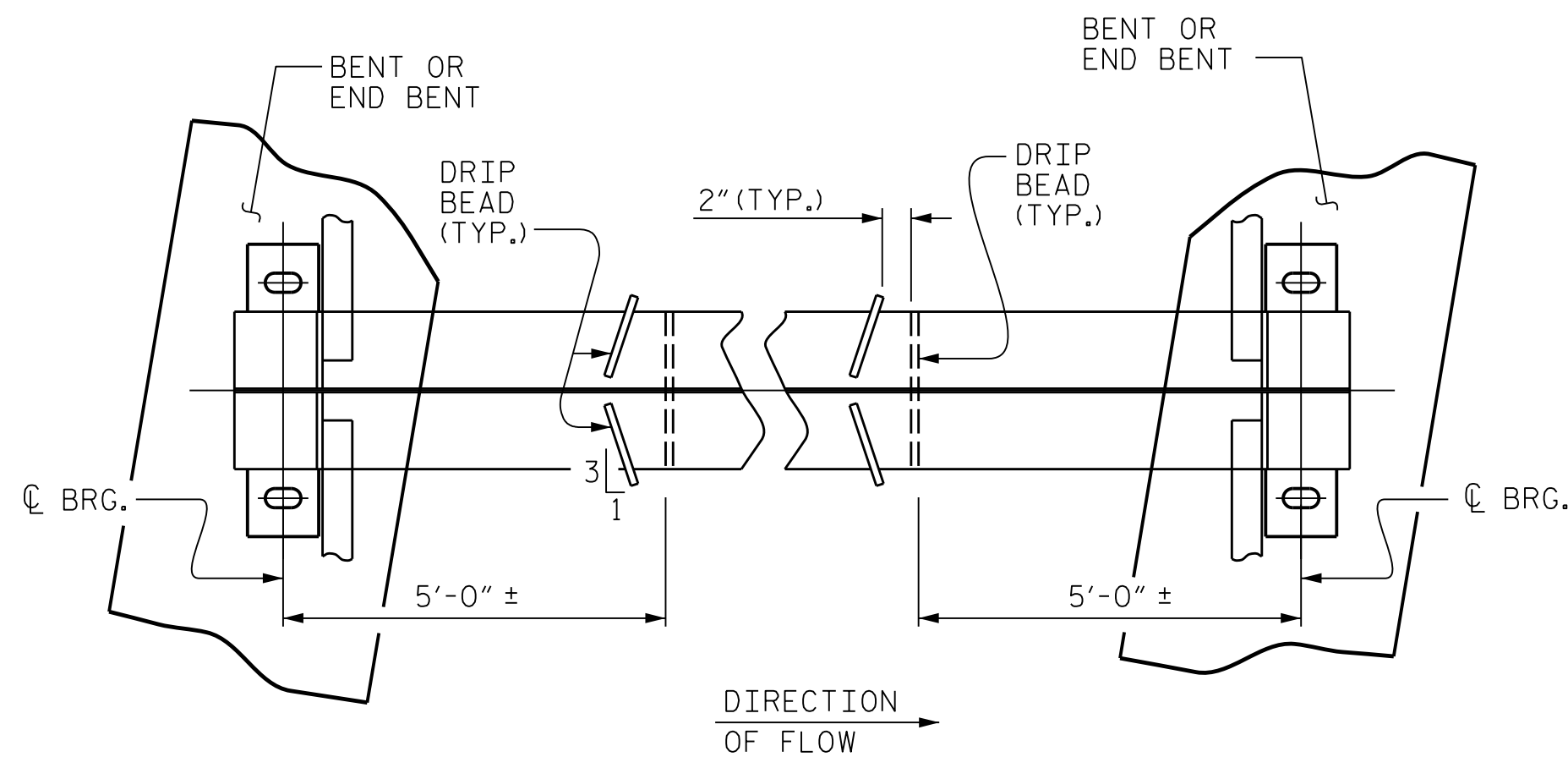


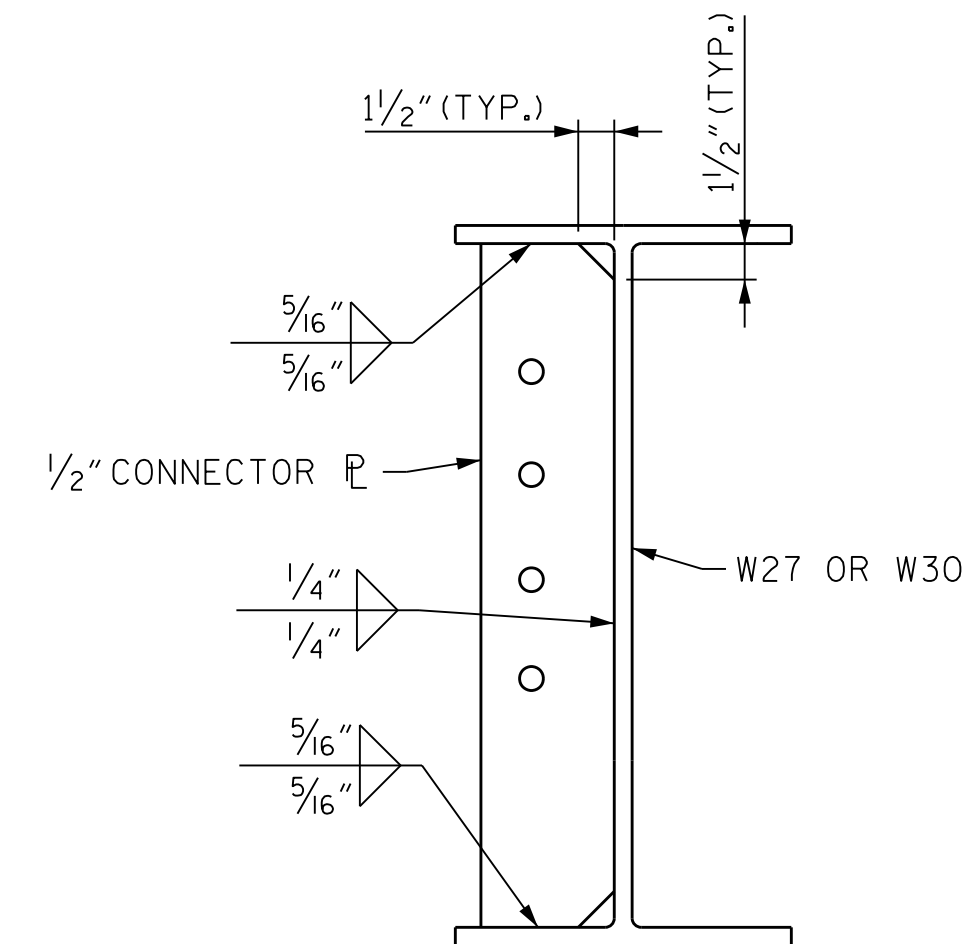
PLOT DRIVER: NCDOT_STRUCTURES_DEFAULT_PLOTTER.plt
 PENTABLE: NCDOT_STRUCTURES_DEFAULT_PEN.tbl
 USER: PPETERSO DATE: 1/24/2022 TIME: 2:37:57 PM
 FILE: ...\\404.095.B58983186.SMU.SS.020.430107.dgn



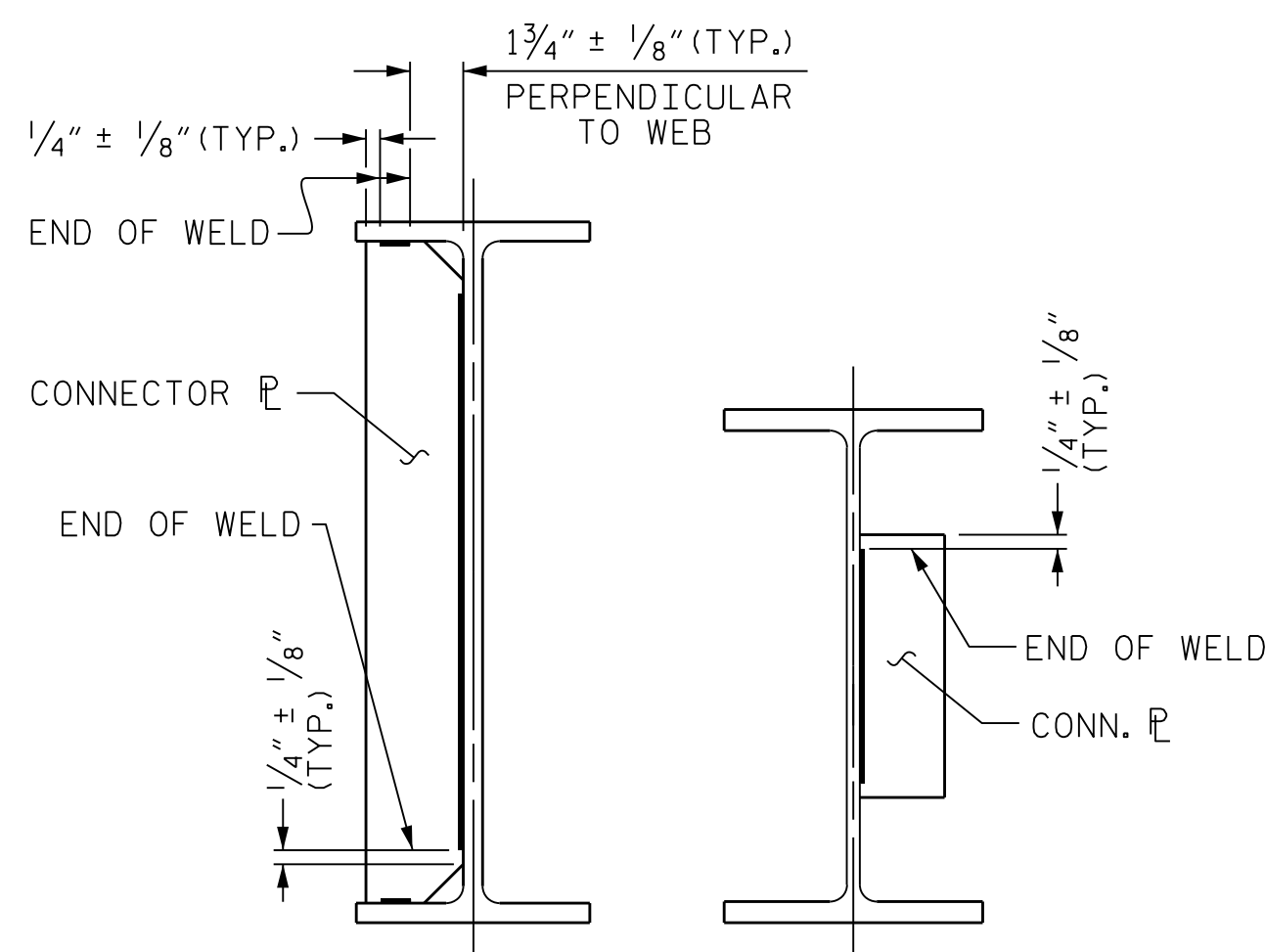
SHEAR STUD DETAILS



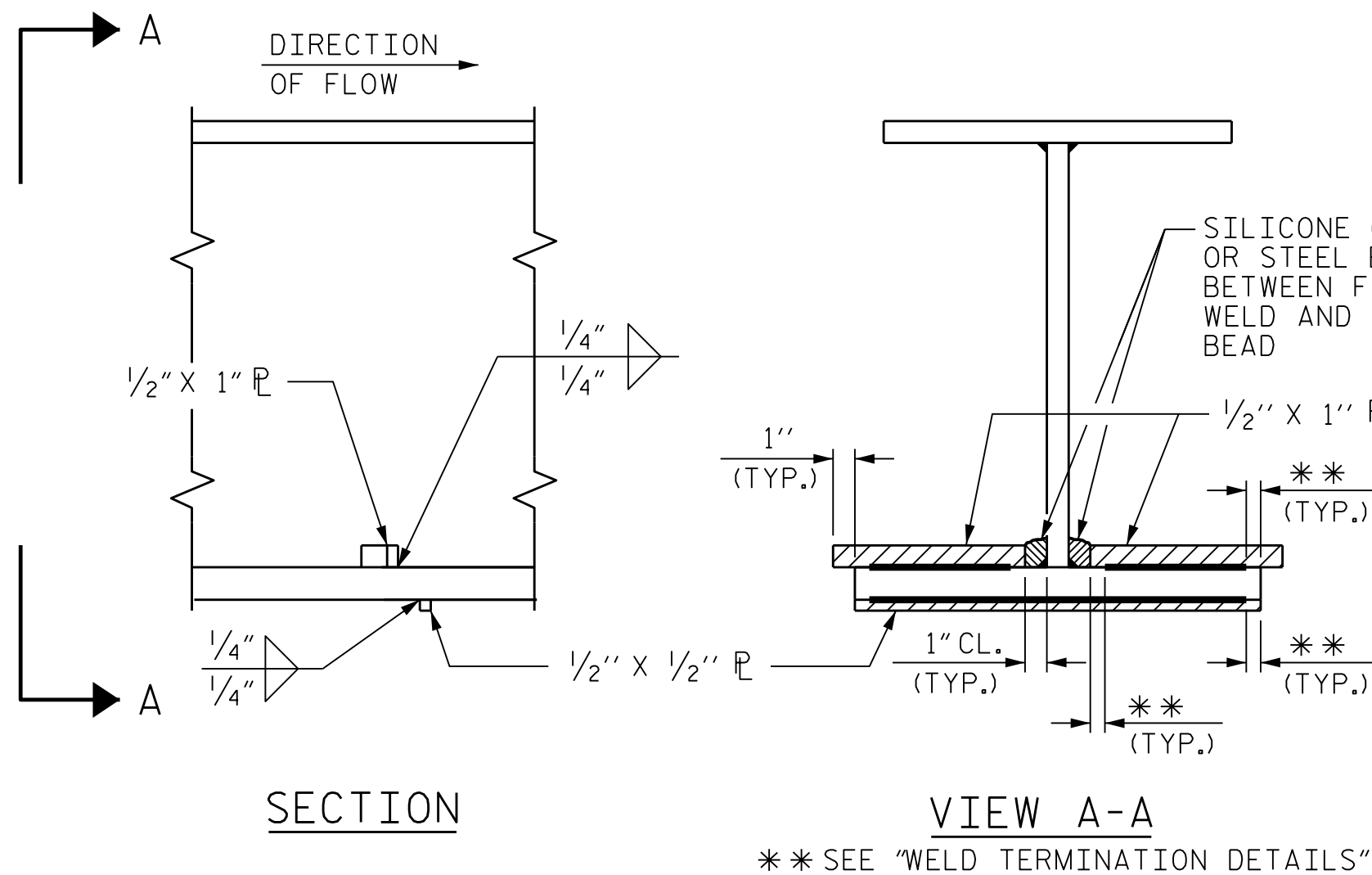
PART PLAN - BOTTOM FLANGE



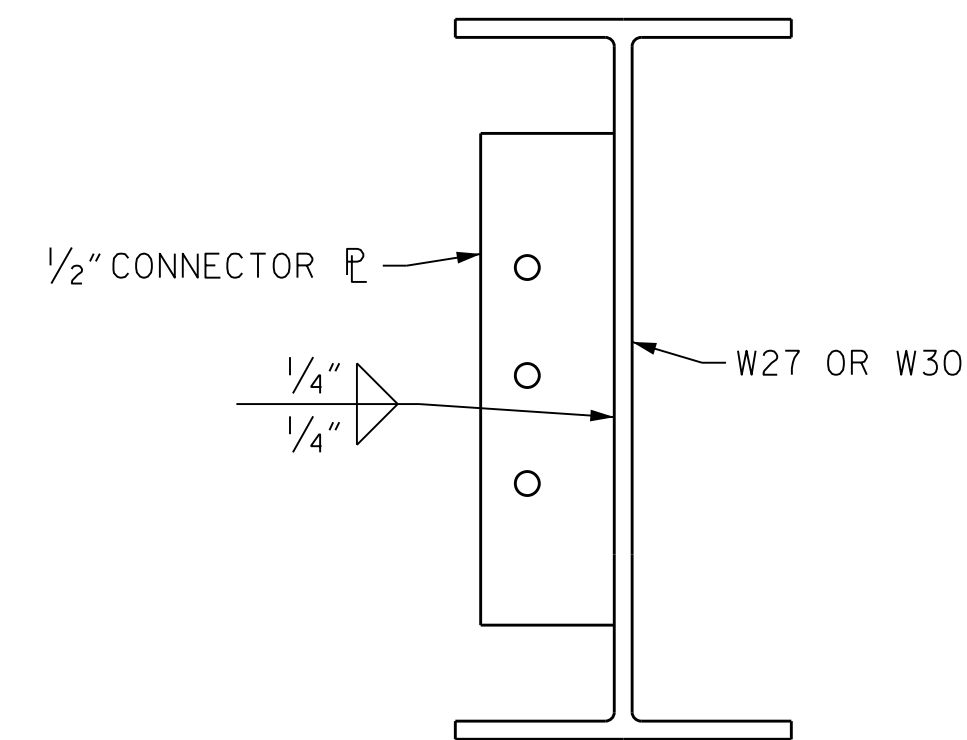
END DIAPHRAGM CONNECTOR PLATE



**CONNECTOR PLATE CONNECTIONS
 WELD TERMINATION DETAILS**



DRIP BEAD DETAILS



INTERMEDIATE DIAPHRAGM CONNECTOR PLATE

PROJECT NO. B-3186/B-5898
HAYWOOD COUNTY
 STATION: 68+65.75 ± -L-RT-

SHEET 4 OF 4

STATE OF NORTH CAROLINA
 DEPARTMENT OF TRANSPORTATION
 RALEIGH

**SUPERSTRUCTURE
 STRUCTURAL STEEL
 DETAILS**



Eric Nolting 1/25/2022

DES BY: E. NOLTING	DATE: 04/21	DWG BY: B. PETERSON	DATE: 05/21
DES CHK: B. ROGERS	DATE: 05/21	CHK BY: B. ROGERS	DATE: 06/21



**DOCUMENT NOT CONSIDERED FINAL
 UNLESS ALL SIGNATURES COMPLETED**

REVISIONS						SHEET NO. S03R-20 TOTAL SHEETS 61
NO.	BY:	DATE:	NO.	BY:	DATE:	
1	--	--	3	--	--	
2	--	--	4	--	--	