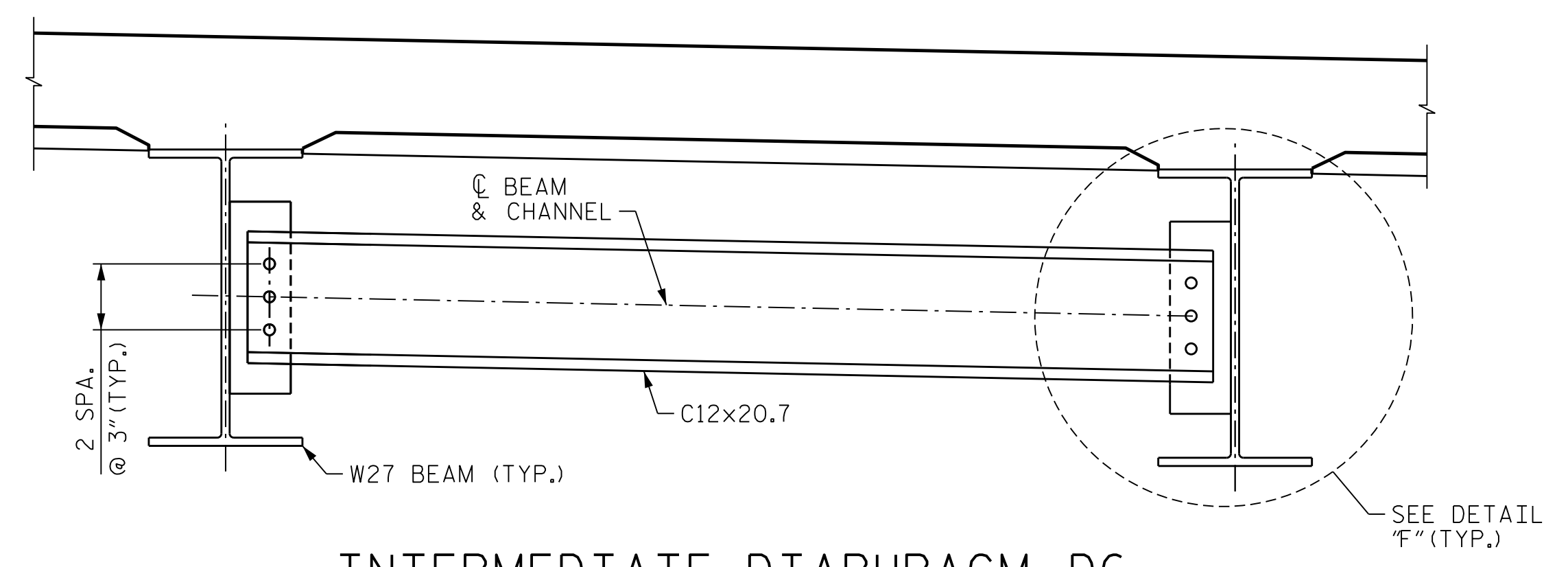
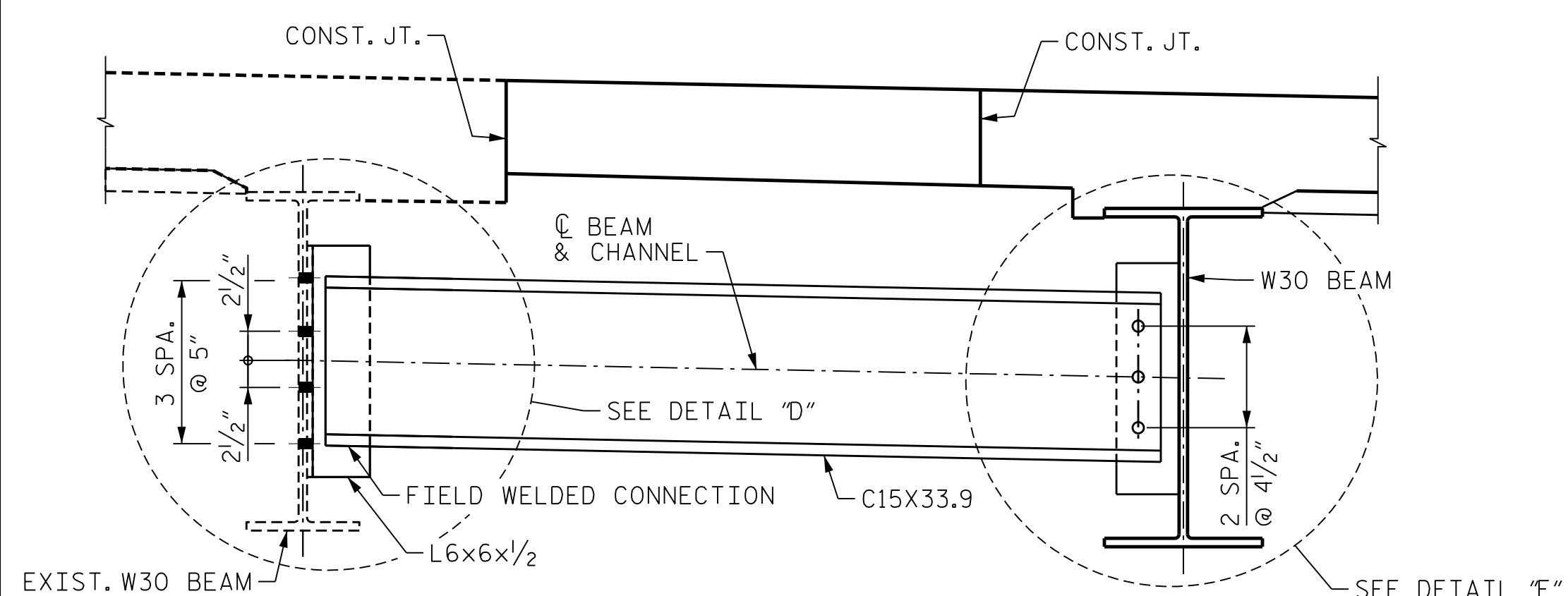


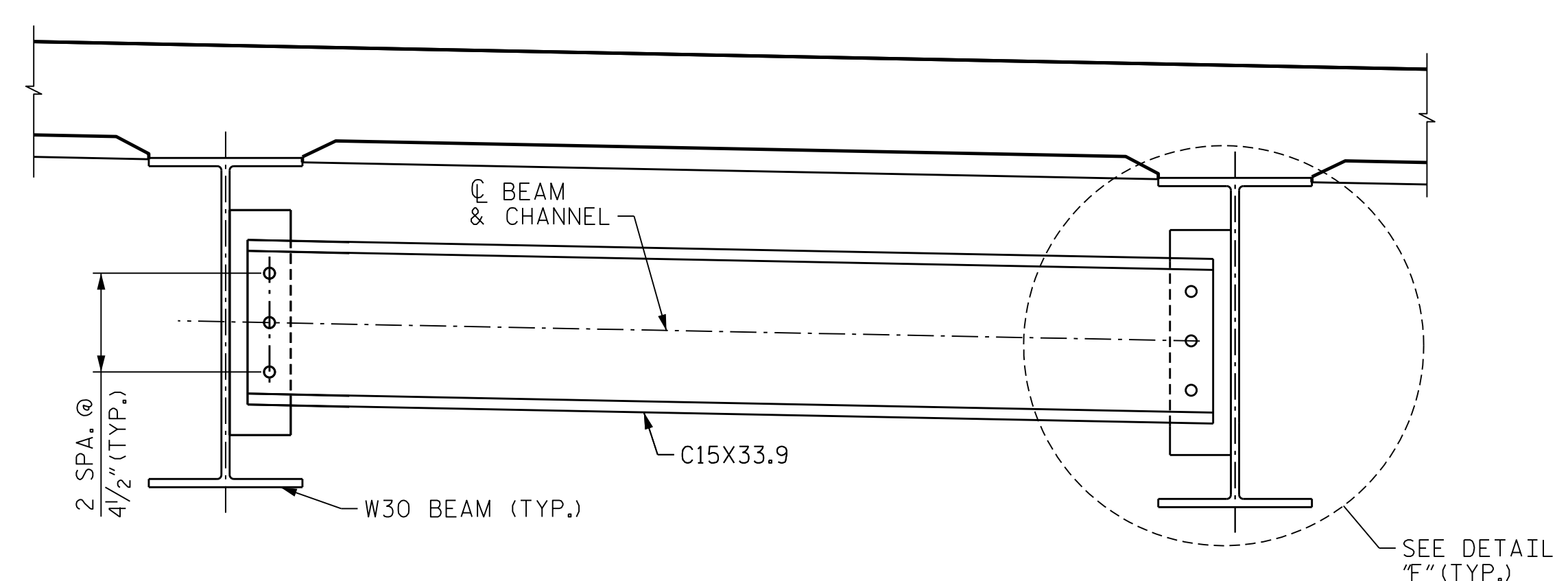
INTERMEDIATE DIAPHRAGM D5



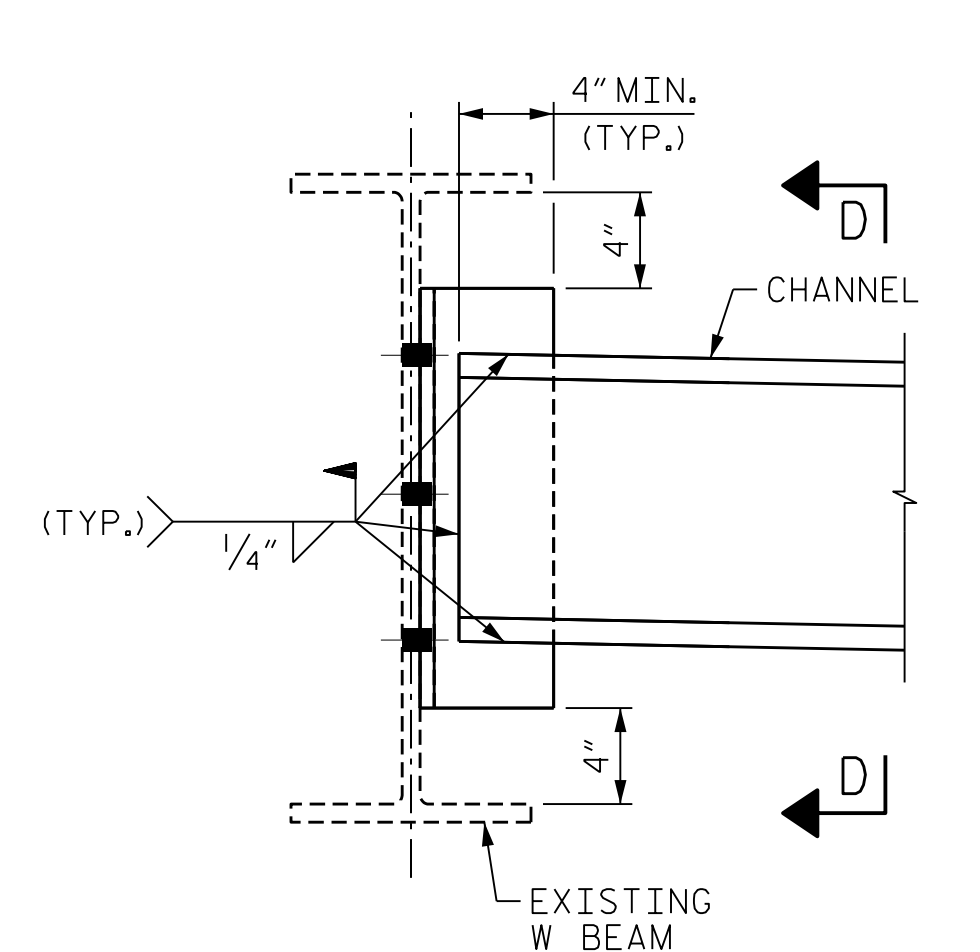
INTERMEDIATE DIAPHRAGM D6



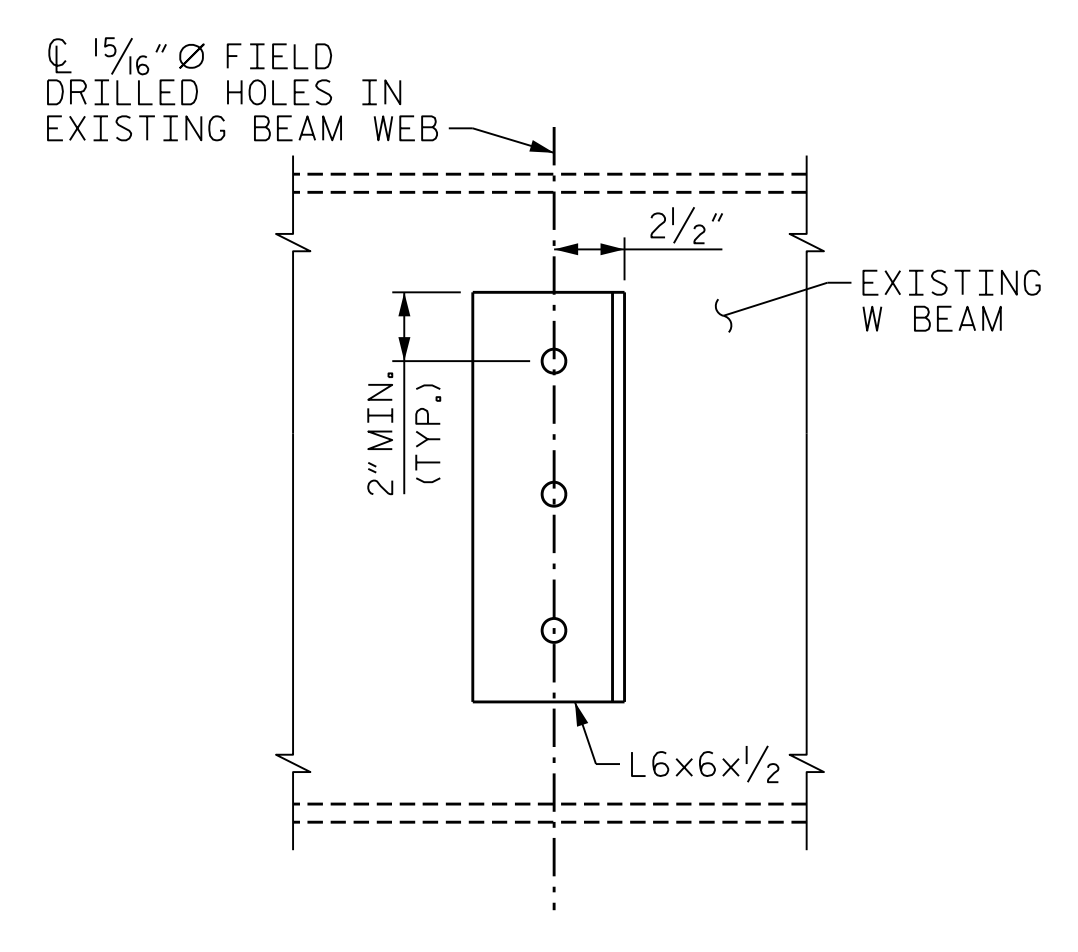
INTERMEDIATE DIAPHRAGM D7



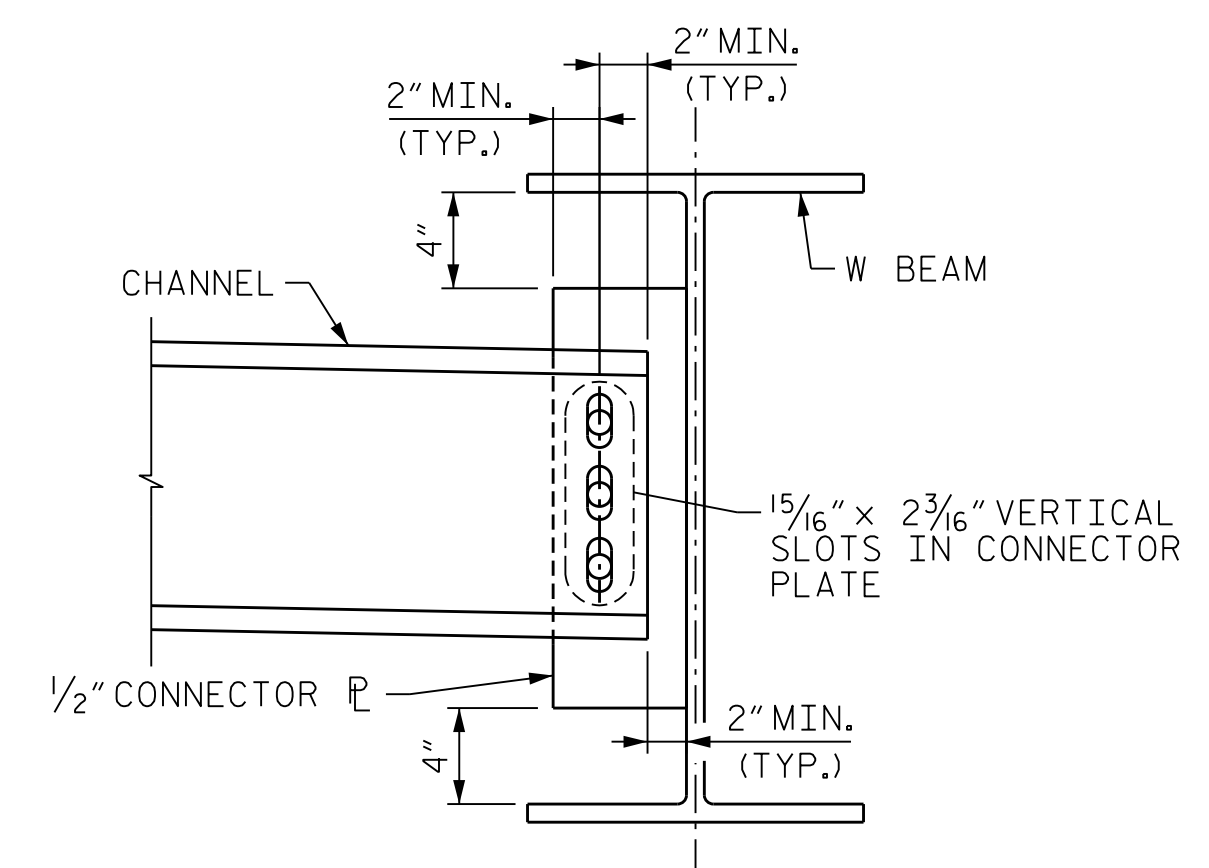
INTERMEDIATE DIAPHRAGM D8



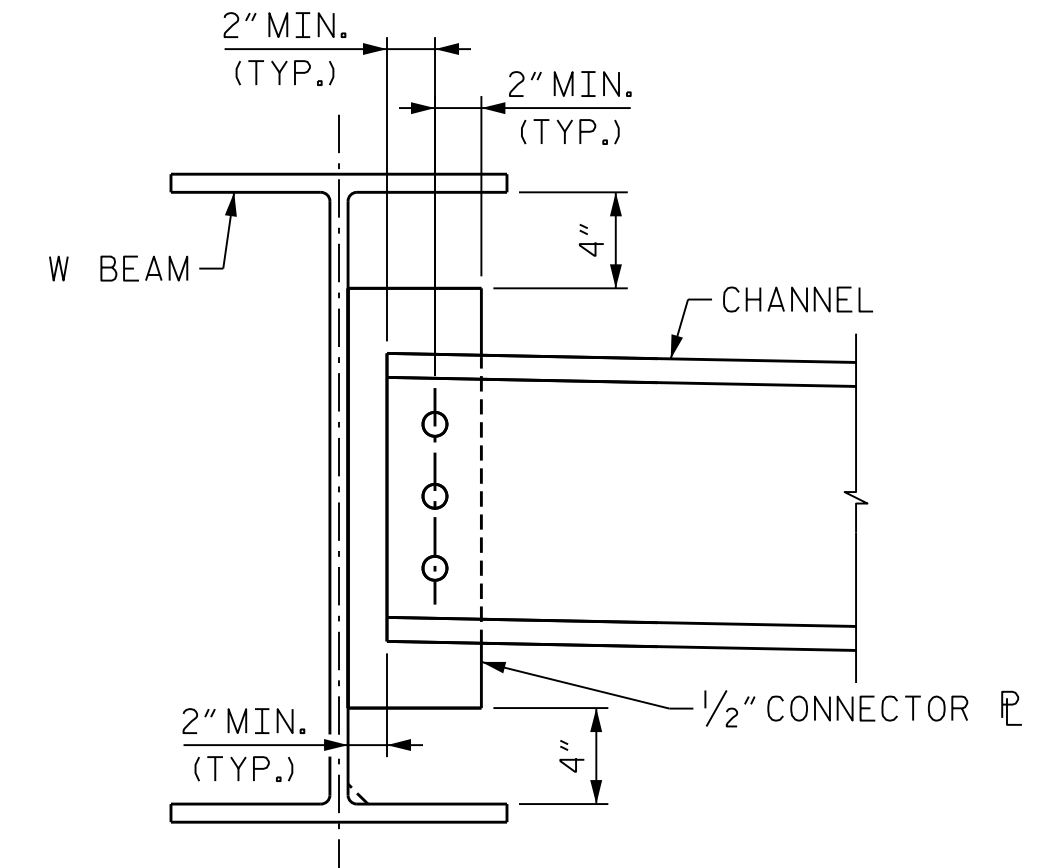
DETAIL "D"
(DETAIL SHOWN AT DIAPHRAGM D5;
DIAPHRAGM D7 SIMILAR)



VIEW D-D



DETAIL "E"



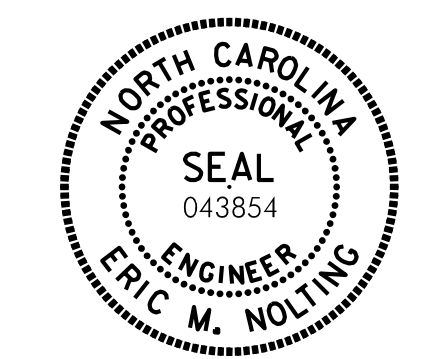
DETAIL "F"

PROJECT NO. B-3186/B-5898
HAYWOOD COUNTY
 STATION: 68+65.75± -L-RT-

SHEET 3 OF 4

STATE OF NORTH CAROLINA
 DEPARTMENT OF TRANSPORTATION
 RALEIGH

SUPERSTRUCTURE
 STRUCTURAL STEEL
 DETAILS



Eric Nolting 1/25/2022

REVISIONS						SHEET NO. S03R-19
NO.	BY:	DATE:	NO.	BY:	DATE:	
1	--	--	3	--	--	TOTAL SHEETS 61
2	--	--	4	--	--	

HDR HDR Engineering, Inc. of the Carolinas
 555 Fayetteville St., Suite 900 Raleigh, N.C. 27601
 N.C.B.E.L.S. License Number: F-0116

DOCUMENT NOT CONSIDERED FINAL
 UNLESS ALL SIGNATURES COMPLETED

PLOT DRIVER: NCDOT_STRUCTURES_DEFAULT_PLOTTER.plt
 PENTABLE: NCDOT_STRUCTURES_DEFAULT_PEN.tbl
 USER: PETERSON DATE: 1/24/2022 TIME: 2:37:49 PM
 FILE: ... \404.090.B5898B3186.SMU.SS.019.430107.dgn

DES BY: <u>E. NOLTING</u>	DATE: <u>04/21</u>	DWG BY: <u>B. PETERSON</u>	DATE: <u>05/21</u>
DES CHK: <u>B. ROGERS</u>	DATE: <u>05/21</u>	CHK BY: <u>B. ROGERS</u>	DATE: <u>06/21</u>