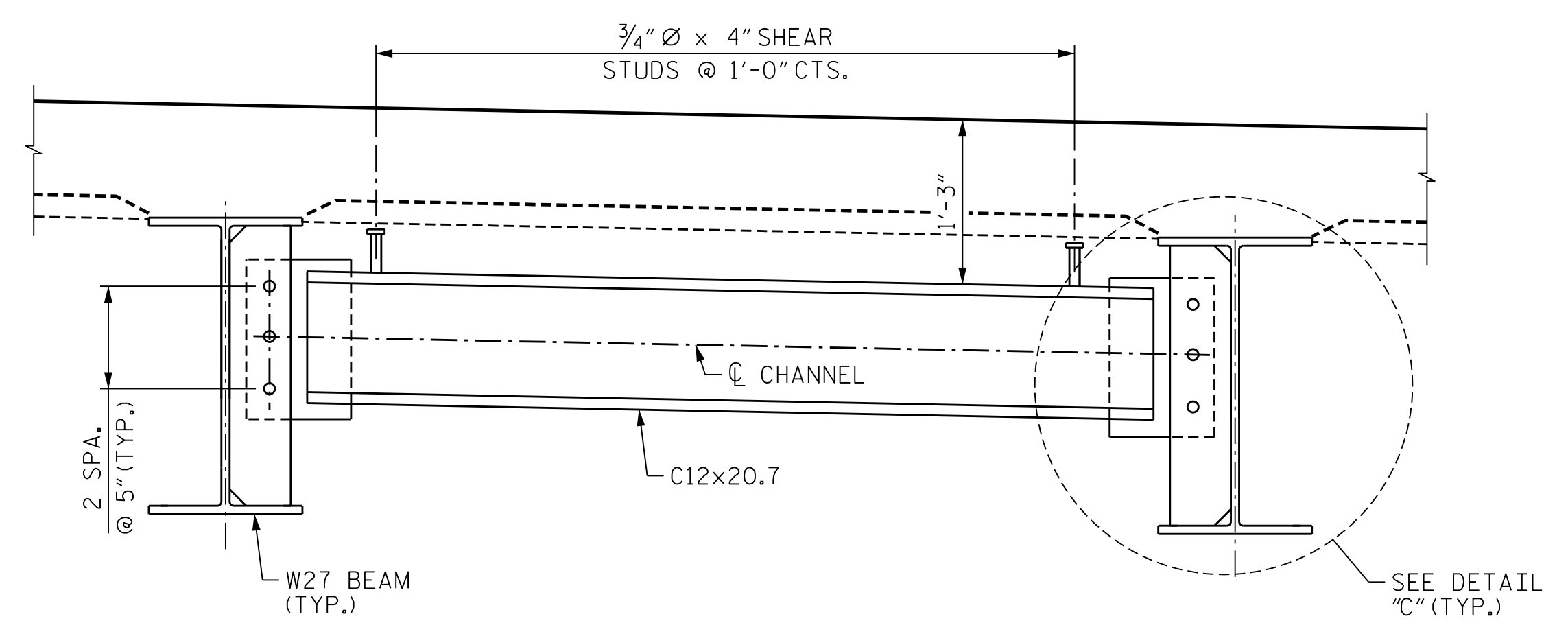
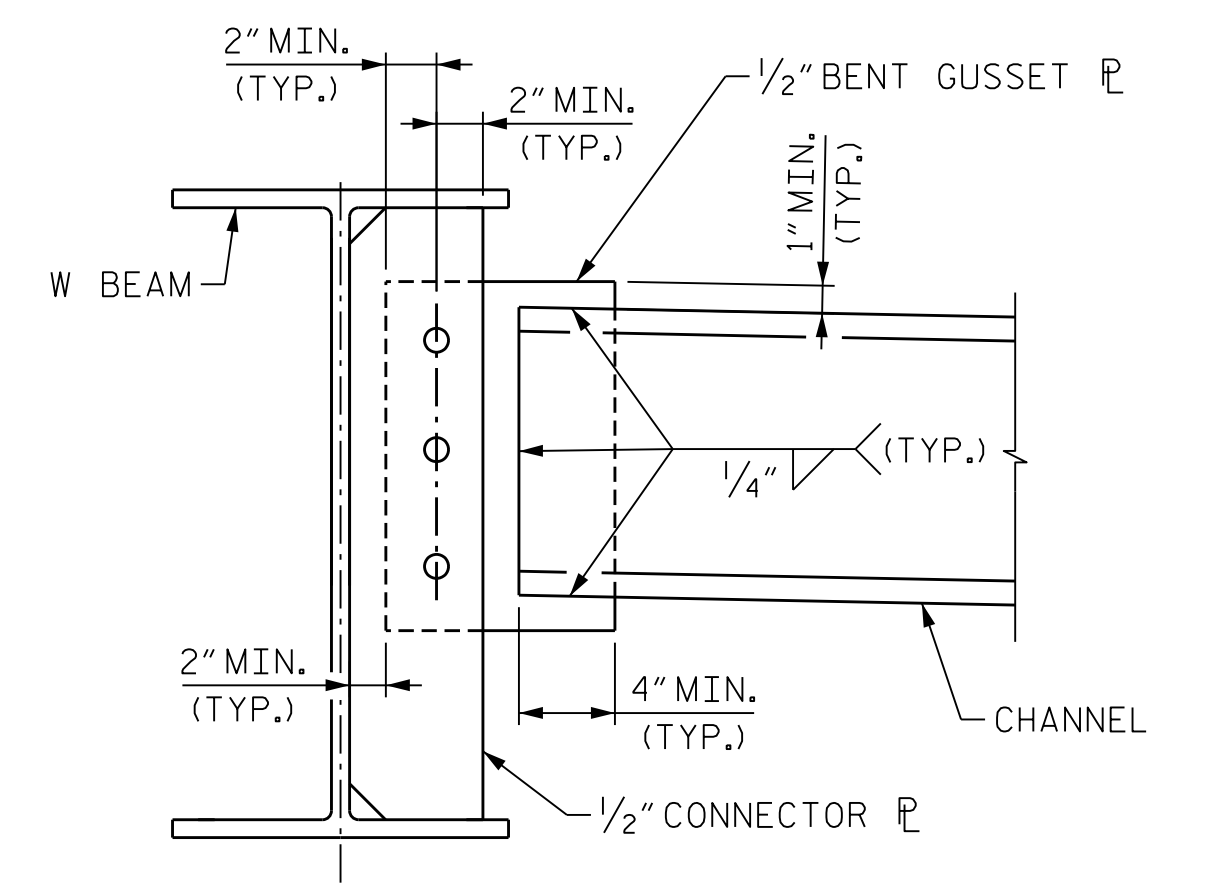


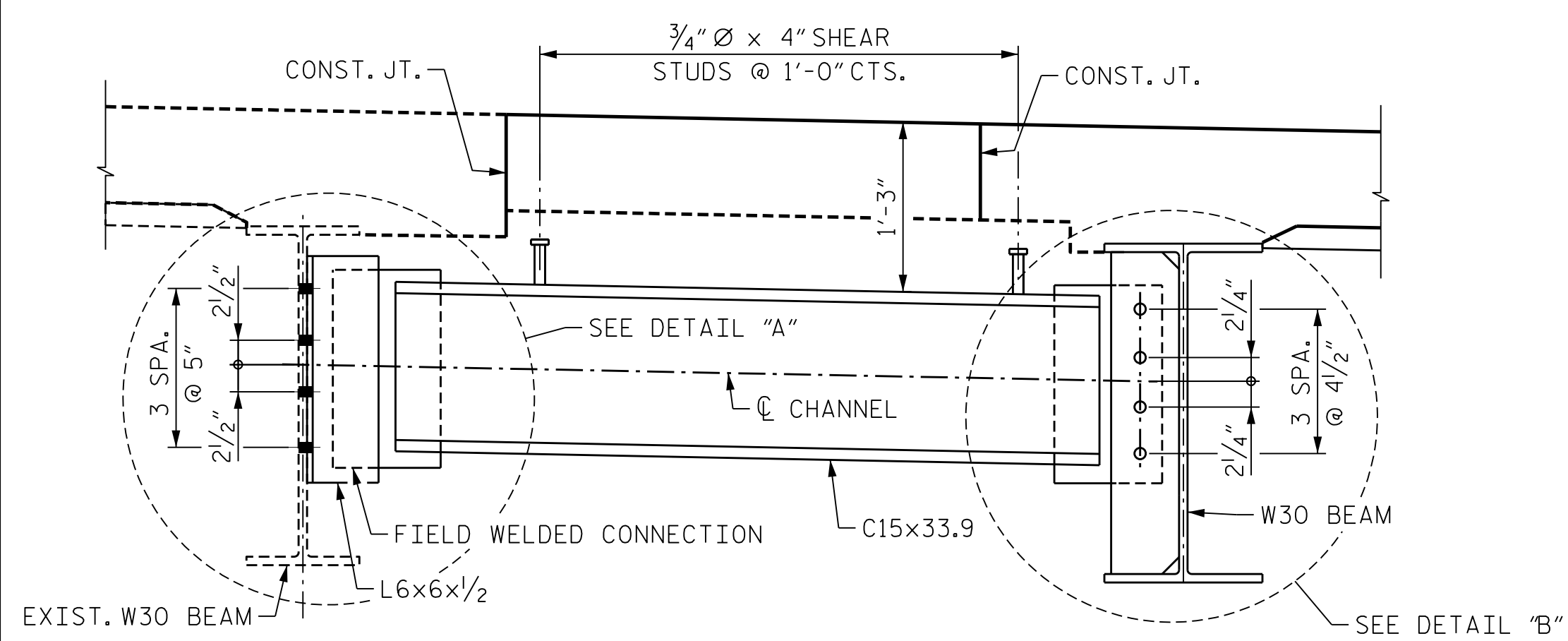
END DIAPHRAGM D1



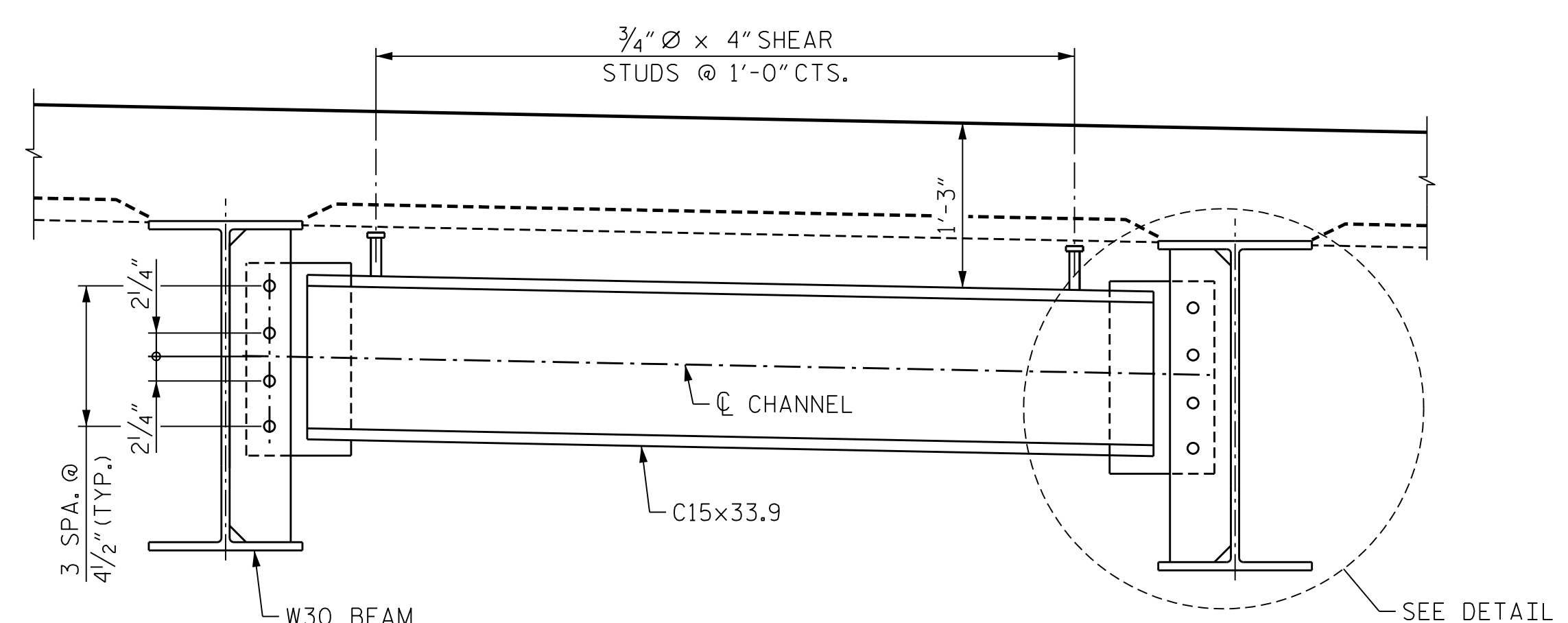
END DIAPHRAGM D2



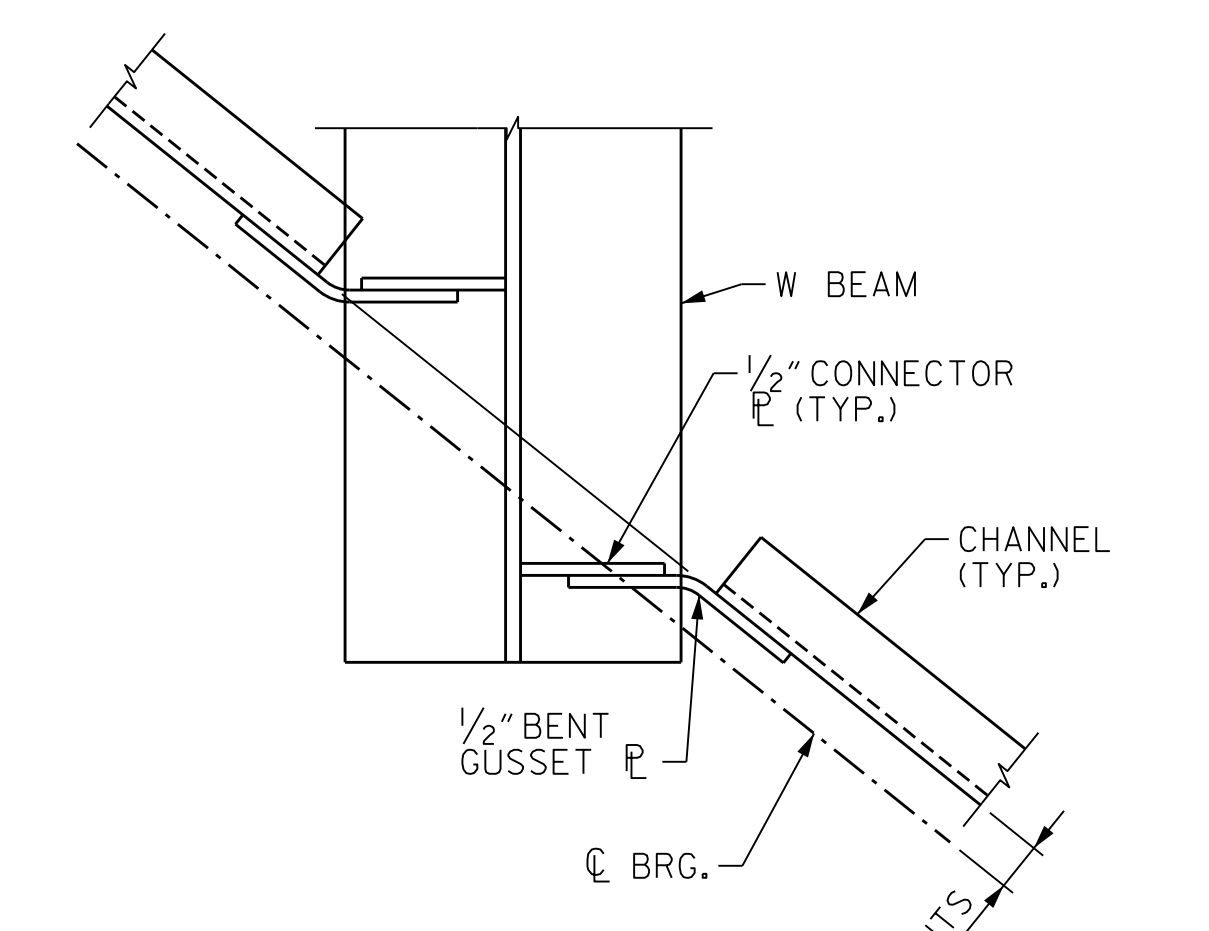
DETAIL "C"



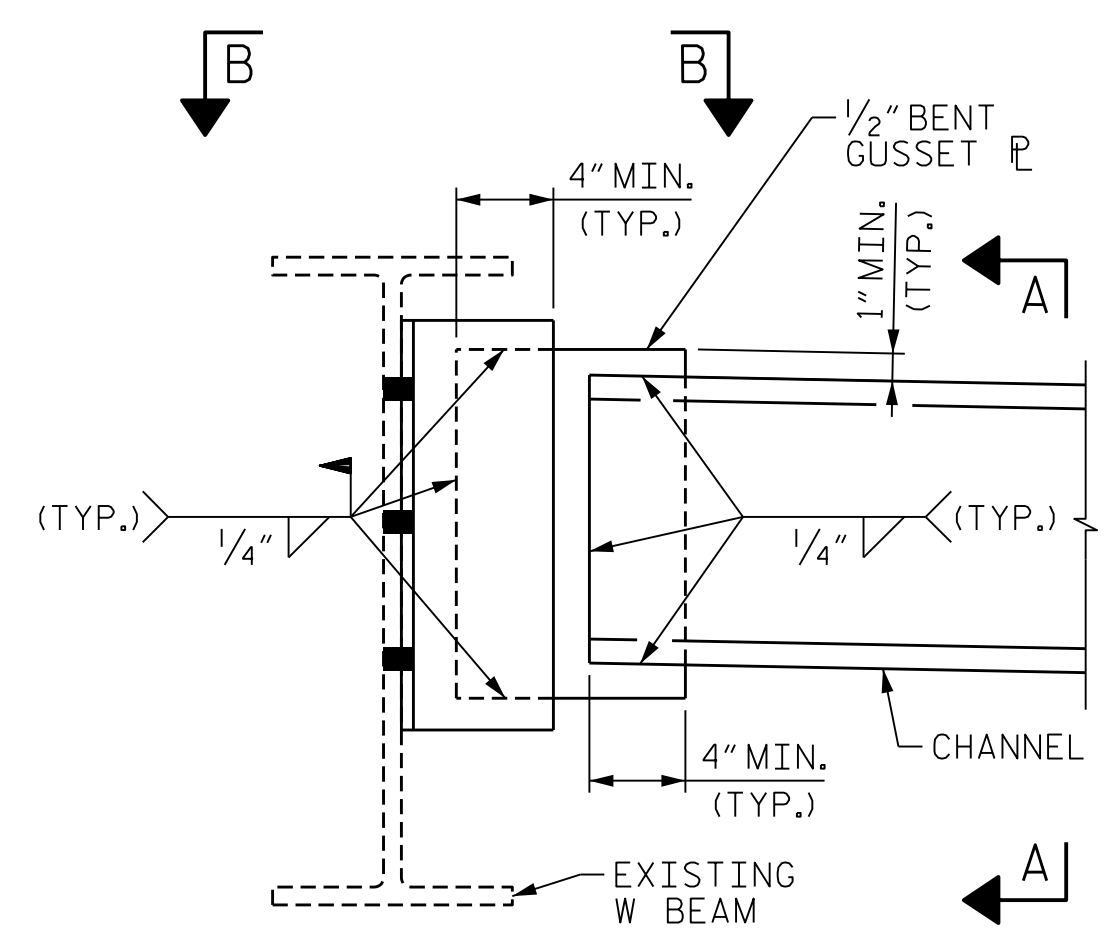
END DIAPHRAGM D3



END DIAPHRAGM D4

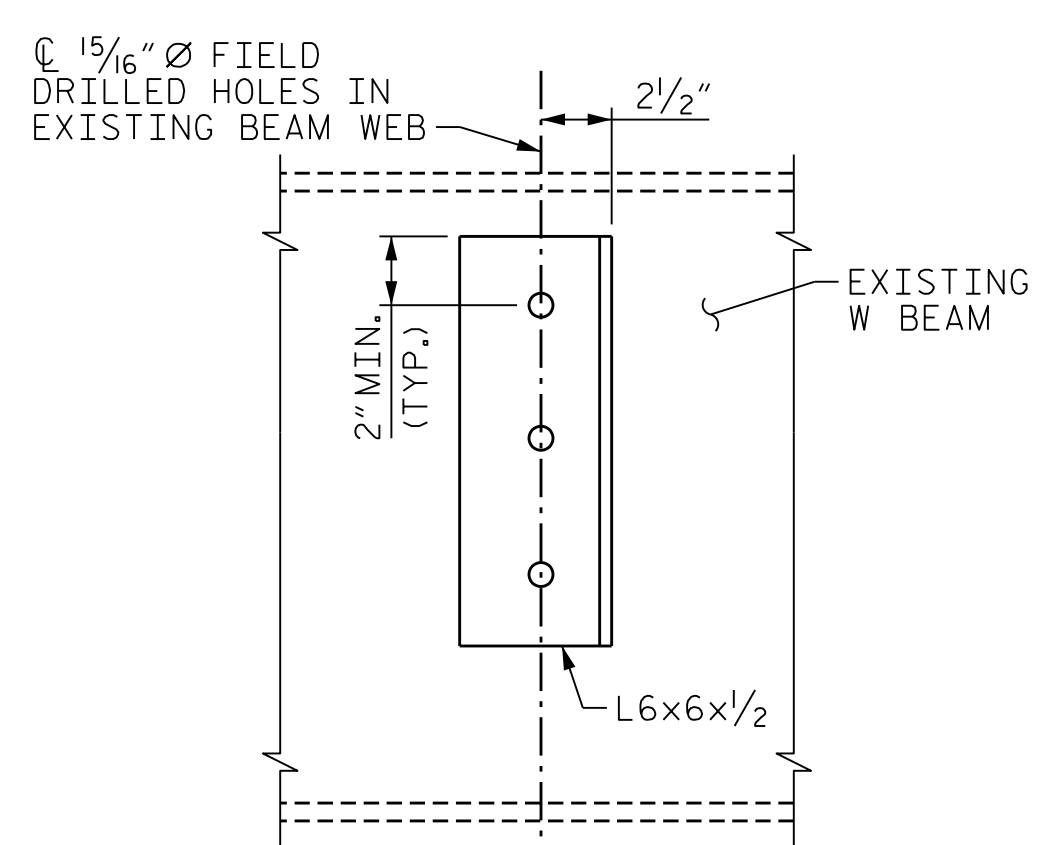


VIEW C-C

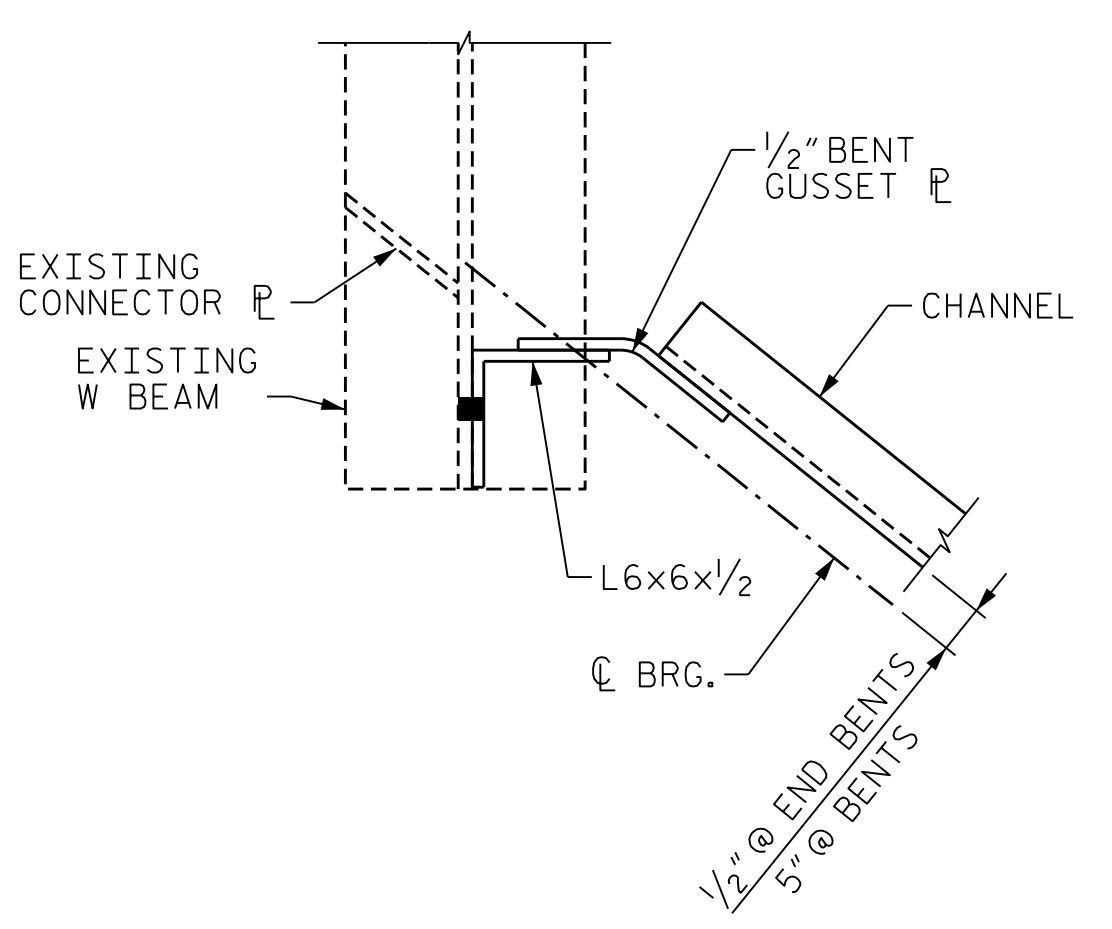


DETAIL "A"

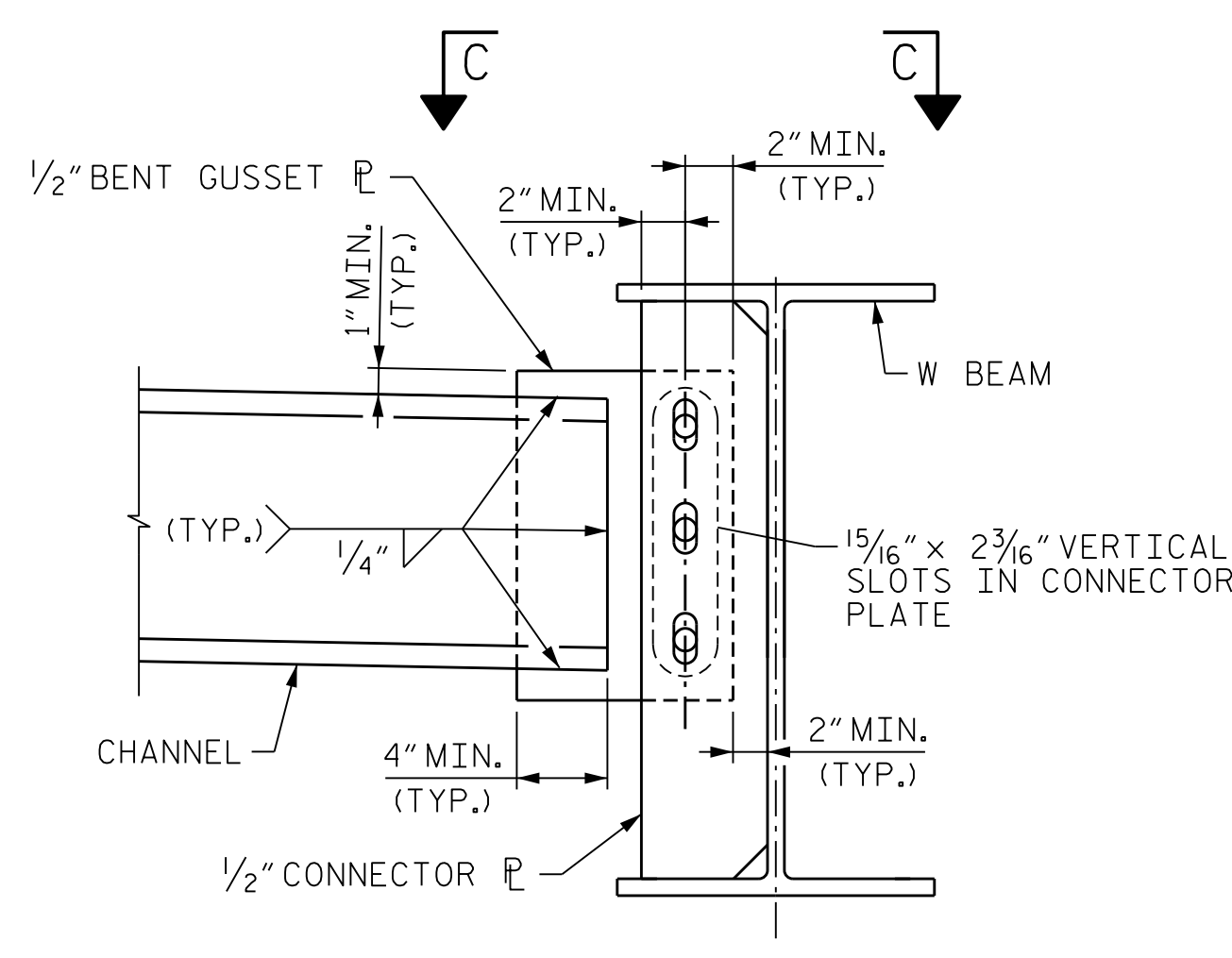
(DETAIL SHOWN AT END DIAPHRAGM D1; END DIAPHRAGM D3 SIMILAR)



VIEW A-A



VIEW B-B

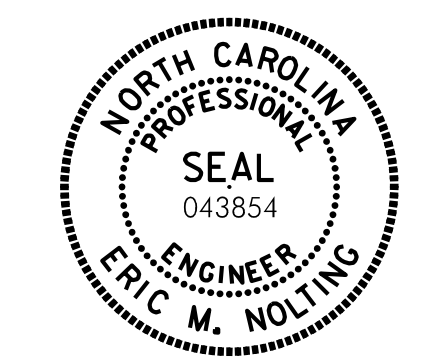


DETAIL "B"

(DETAIL SHOWN AT END DIAPHRAGM D2; END DIAPHRAGM D4 SIMILAR)

PROJECT NO. B-3186/B-5898
 HAYWOOD COUNTY
 STATION: 68+65.75± -L-RT-

SHEET 2 OF 4

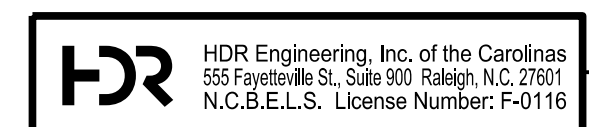


Eric Nolting 1/25/2022

STATE OF NORTH CAROLINA
 DEPARTMENT OF TRANSPORTATION
 RALEIGH

**SUPERSTRUCTURE
 STRUCTURAL STEEL
 DETAILS**

DES BY: E. NOLTING	DATE: 04/21	DWG BY: B. PETERSON	DATE: 05/21
DES CHK: B. ROGERS	DATE: 05/21	CHK BY: B. ROGERS	DATE: 06/21



DOCUMENT NOT CONSIDERED FINAL
 UNLESS ALL SIGNATURES COMPLETED

REVISIONS					
NO.	BY:	DATE:	NO.	BY:	DATE:
1	--	--	3	--	--
2	--	--	4	--	--

SHEET NO. S03R-18
 TOTAL SHEETS 61

PLOT DRIVER: NCDOT_STRUCTURES_DEFAULT_PLOTTER.plt
 PENTABLE: NCDOT_STRUCTURES_DEFAULT_PEN.tbl
 USER: PETERSON
 DATE: 1/24/2022
 TIME: 2:37:41 PM
 FILE: ... \404_085_B5898B3186_SMU_SS.018_430107.dgn