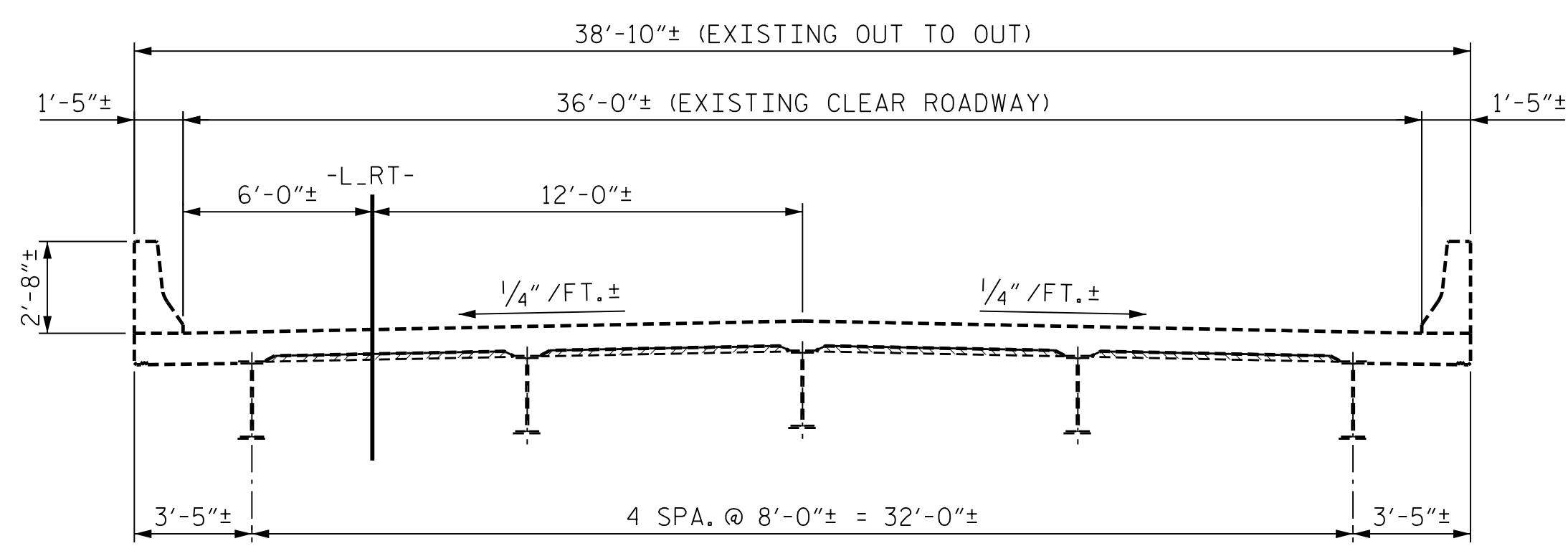
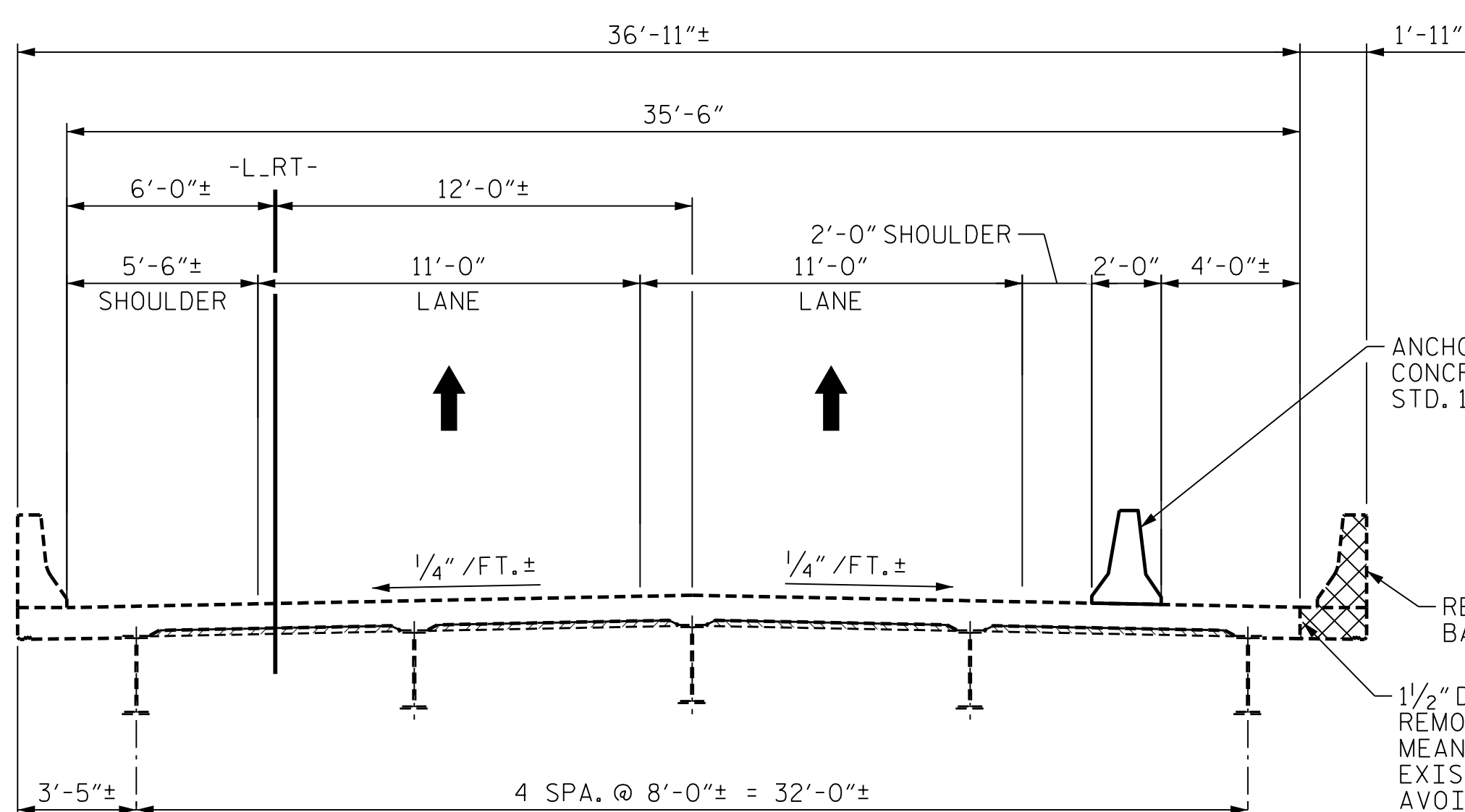


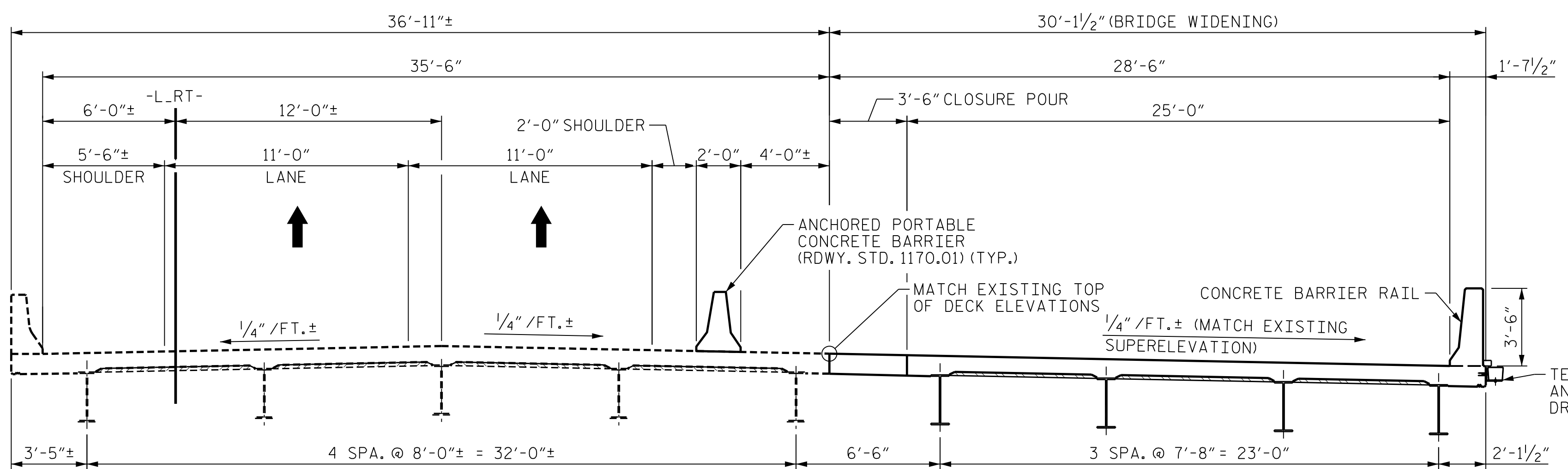
NOTES
FOR MAINTENANCE OF TRAFFIC,
SEE TRANSPORTATION MANAGEMENT
PLAN (TMP.)



EXISTING TYPICAL SECTION



STAGE 1
REMOVE PORTION OF EXISTING EB BRIDGE
(EB TRAFFIC ON EB BRIDGE)



STAGE 2
CONSTRUCT SUBSTRUCTURE, ERECT BEAMS, PLACE DECK, PLACE CLOSURE POUR AND BARRIER, PLACE POURABLE JOINT
(EB TRAFFIC ON EB BRIDGE)

PROJECT NO. B-3186/B-5898
HAYWOOD COUNTY
STATION: 68+65.75± -L-RT-
SHEET 1 OF 2



Eric Nolting 1/25/2022

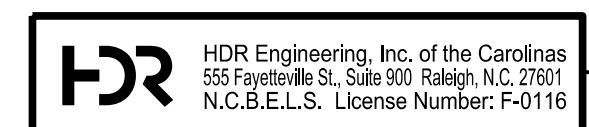
STATE OF NORTH CAROLINA
DEPARTMENT OF TRANSPORTATION
RALEIGH

**SUPERSTRUCTURE
CONSTRUCTION SEQUENCE**

REVISIONS						SHEET NO.	
NO.	BY:	DATE:	NO.	BY:	DATE:	SHEET NO.	
1	--	--	3	--	--	TOTAL SHEETS	
2	--	--	4	--	--	61	

PLOT DRIVER: NCDOT_STRUCTURE_DEFAULT_PLOTTER.plt PENTABLE: NCDOT_STRUCTURE_DEFAULT_PEN.tbl
USER: PETERSON DATE: 1/24/2022 TIME: 2:36:16 PM
FILE: ... \404.025.B5898B3186.SMU_PC.006.430107.dgn

DES BY: <u>E. NOLTING</u>	DATE: <u>03/21</u>	DWG BY: <u>B. PETERSON</u>	DATE: <u>03/21</u>
DES CHK: <u>B. ROGERS</u>	DATE: <u>03/21</u>	CHK BY: <u>B. ROGERS</u>	DATE: <u>03/21</u>



DOCUMENT NOT CONSIDERED FINAL
UNLESS ALL SIGNATURES COMPLETED