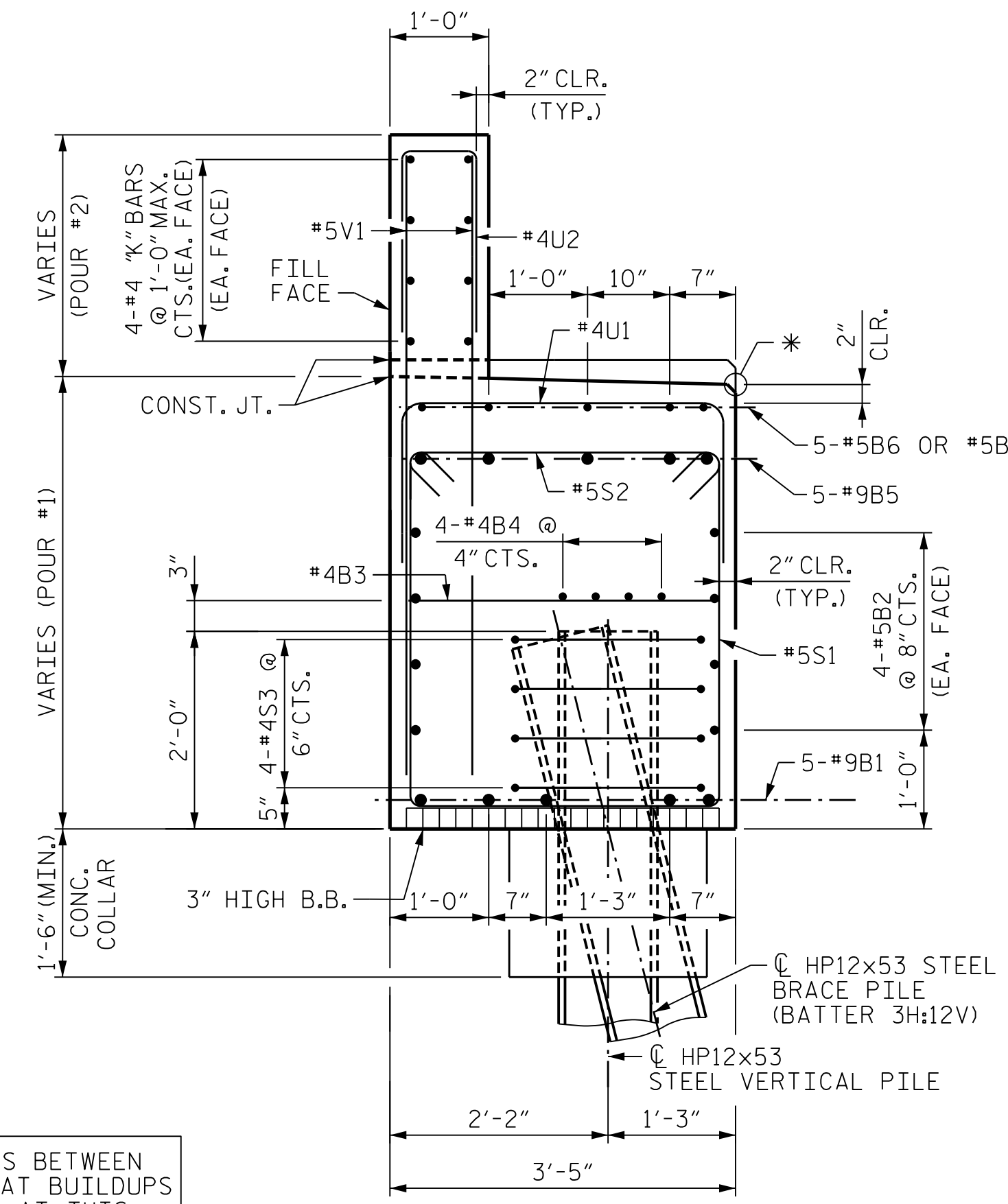
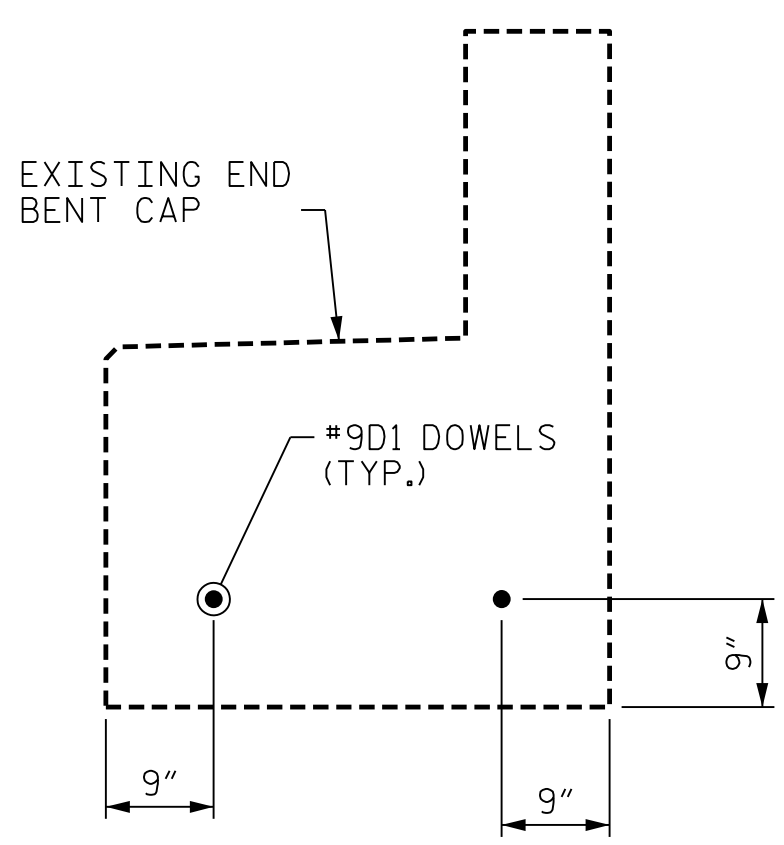


SECTION A-A

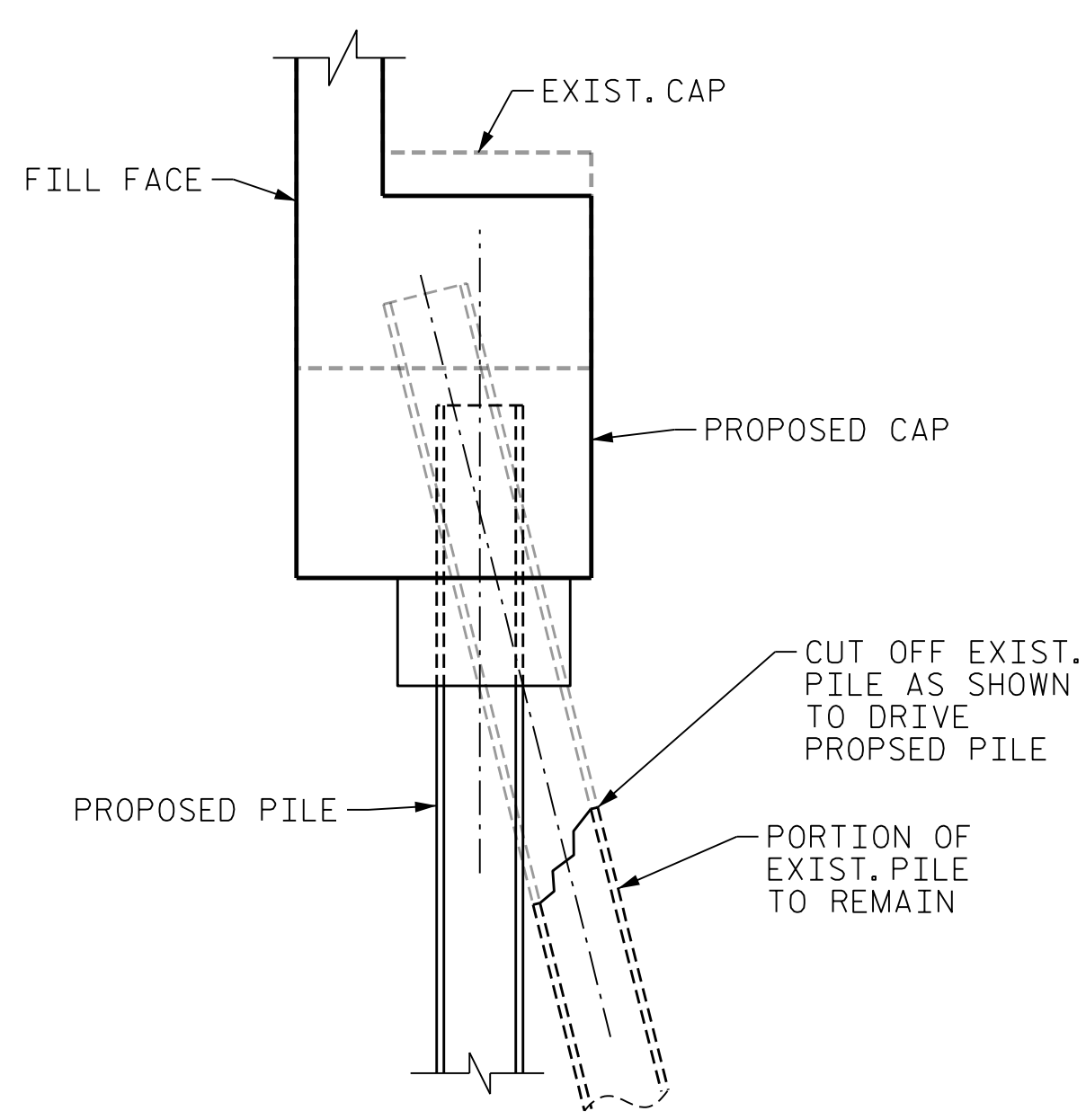
* ELEVATIONS BETWEEN BRIDGE SEAT BUILDUPS ARE SHOWN AT THIS POINT



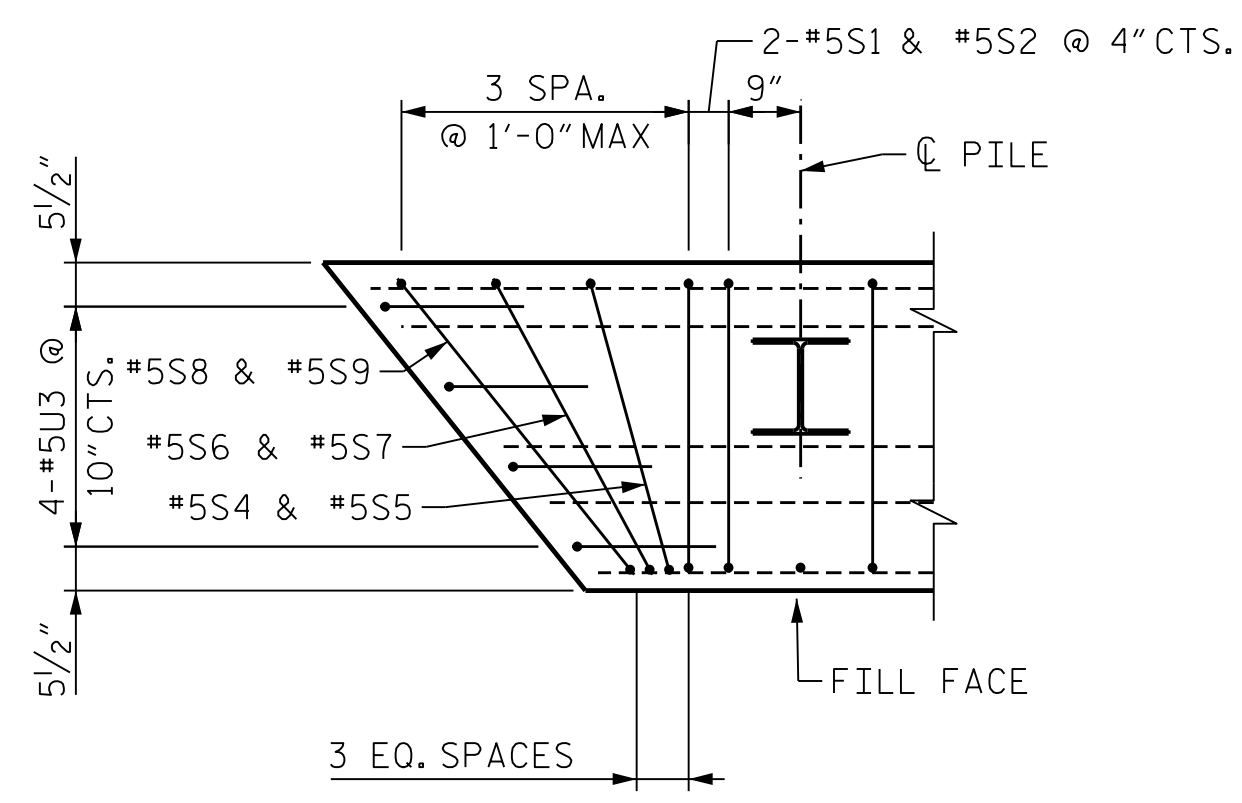
SECTION B-B



VIEW E-E

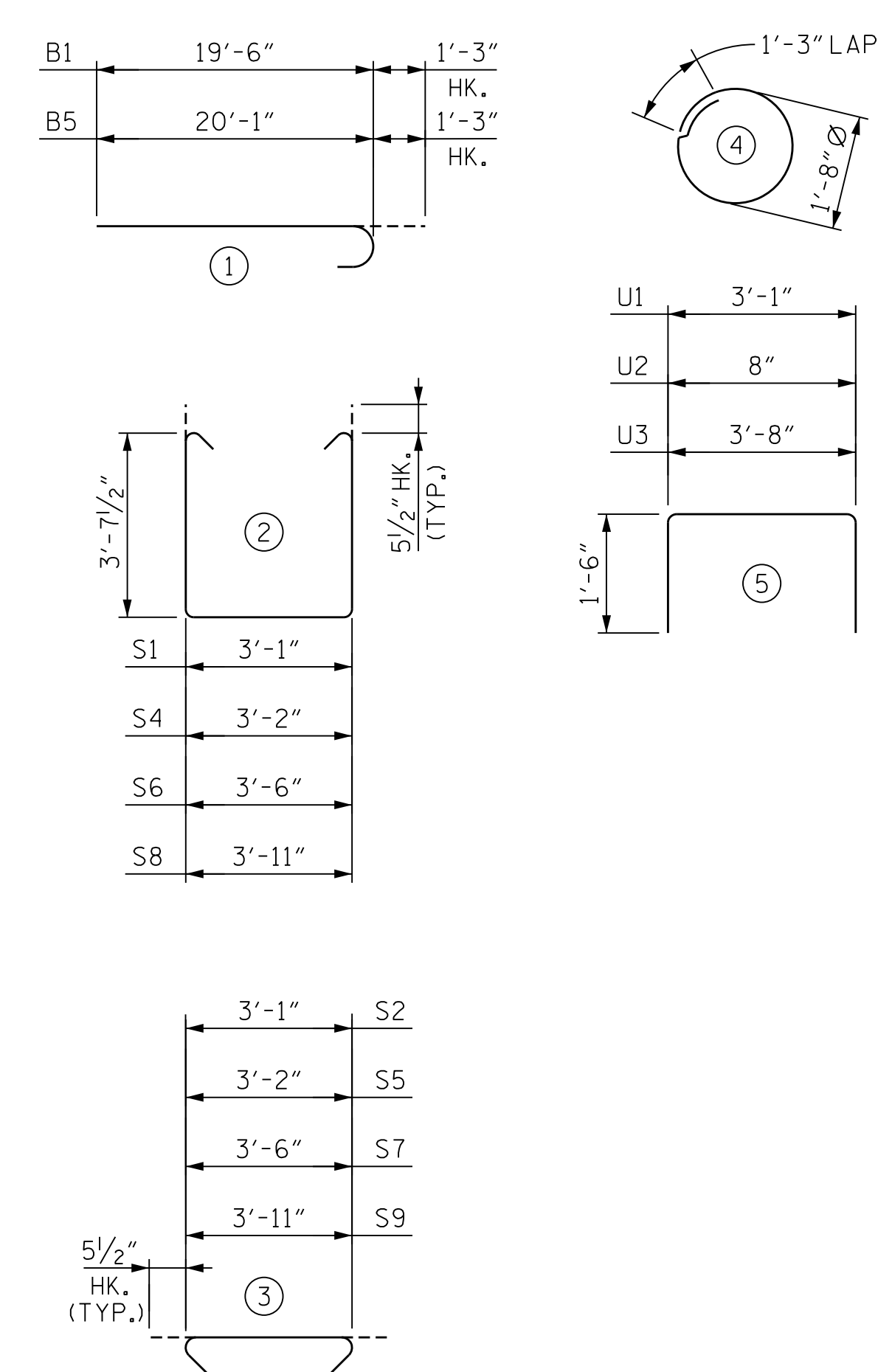


PILE CUT-OFF DETAIL



DETAIL "B"

BAR TYPES



ALL BAR DIMENSIONS ARE OUT TO OUT

BILL OF MATERIAL

END BENT 2					
BAR	NO.	SIZE	TYPE	LENGTH	WEIGHT
B1	10	#9	1	20'-9"	706
B2	16	#5	STR	18'-11"	316
B3	9	#4	STR	3'-1"	19
B4	8	#4	STR	18'-8"	100
B5	10	#9	1	21'-4"	725
B6	5	#5	STR	13'-2"	69
B7	5	#5	STR	2'-2"	11
B8	8	#4	STR	3'-9"	20
D1	2	#9	STR	4'-10"	33
K1	8	#4	STR	17'-4"	93
K2	8	#4	STR	18'-8"	100
S1	33	#5	2	11'-3"	387
S2	33	#5	3	4'-0"	138
S3	16	#4	4	6'-6"	69
S4	1	#5	2	11'-4"	12
S5	1	#5	3	4'-1"	4
S6	1	#5	2	11'-8"	12
S7	1	#5	3	4'-5"	5
S8	1	#5	2	12'-1"	13
S9	1	#5	3	4'-10"	5
U1	17	#5	5	6'-1"	108
U2	35	#4	5	3'-8"	86
U3	4	#5	5	6'-8"	28
V1	71	#5	STR	6'-2"	457
REINFORCING STEEL					LBS. 3516
CLASS A CONCRETE					
POUR #1 (COLLARS & CAP)				CU. YDS.	18.5
POUR #2 (BACKWALL)				CU. YDS.	3.6
TOTAL				CU. YDS.	22.1
▲ HP12x53 STEEL PILES					NO. 4
					LIN. FT. 300
STEEL H-PILE POINTS					NO. 4

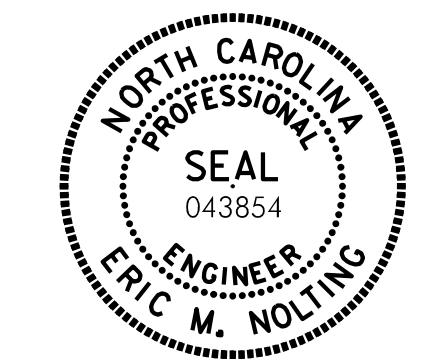
▲ PILE LENGTHS ARE BASED ON ESTIMATED TIP ELEVATIONS

PROJECT NO. B-3186/B-5898
HAYWOOD COUNTY
 STATION: 68+82.30 ± -L-LT-

SHEET 2 OF 2

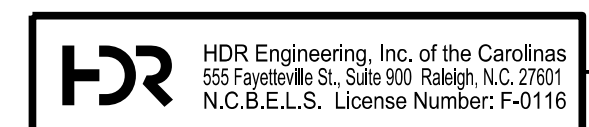
STATE OF NORTH CAROLINA
 DEPARTMENT OF TRANSPORTATION
 RALEIGH

**SUBSTRUCTURE
 END BENT 2
 SECTIONS AND DETAILS**



Eric Nolting 1/24/2022

REVISIONS					
NO.	BY:	DATE:	NO.	BY:	DATE:
1	--	--	3	--	--
2	--	--	4	--	--



DOCUMENT NOT CONSIDERED FINAL UNLESS ALL SIGNATURES COMPLETED

PLOT DRIVER: NCDOT STRUCTURES DEFAULT PLOTTER.plt PENTABLE: NCDOT STRUCTURES DEFAULT PEN.tbl
 USER: PPETERSO DATE: 1/24/2022 TIME: 4:29:32 PM
 FILE: ... \403.155.B5898B3186.SMU.E2.032.430110.dgn

DES BY: <u>B. ROGERS</u>	DATE: <u>06/21</u>	DWG BY: <u>B. PETERSON</u>	DATE: <u>06/21</u>
DES CHK: <u>F. CORDOVA</u>	DATE: <u>06/21</u>	CHK BY: <u>F. CORDOVA</u>	DATE: <u>06/21</u>