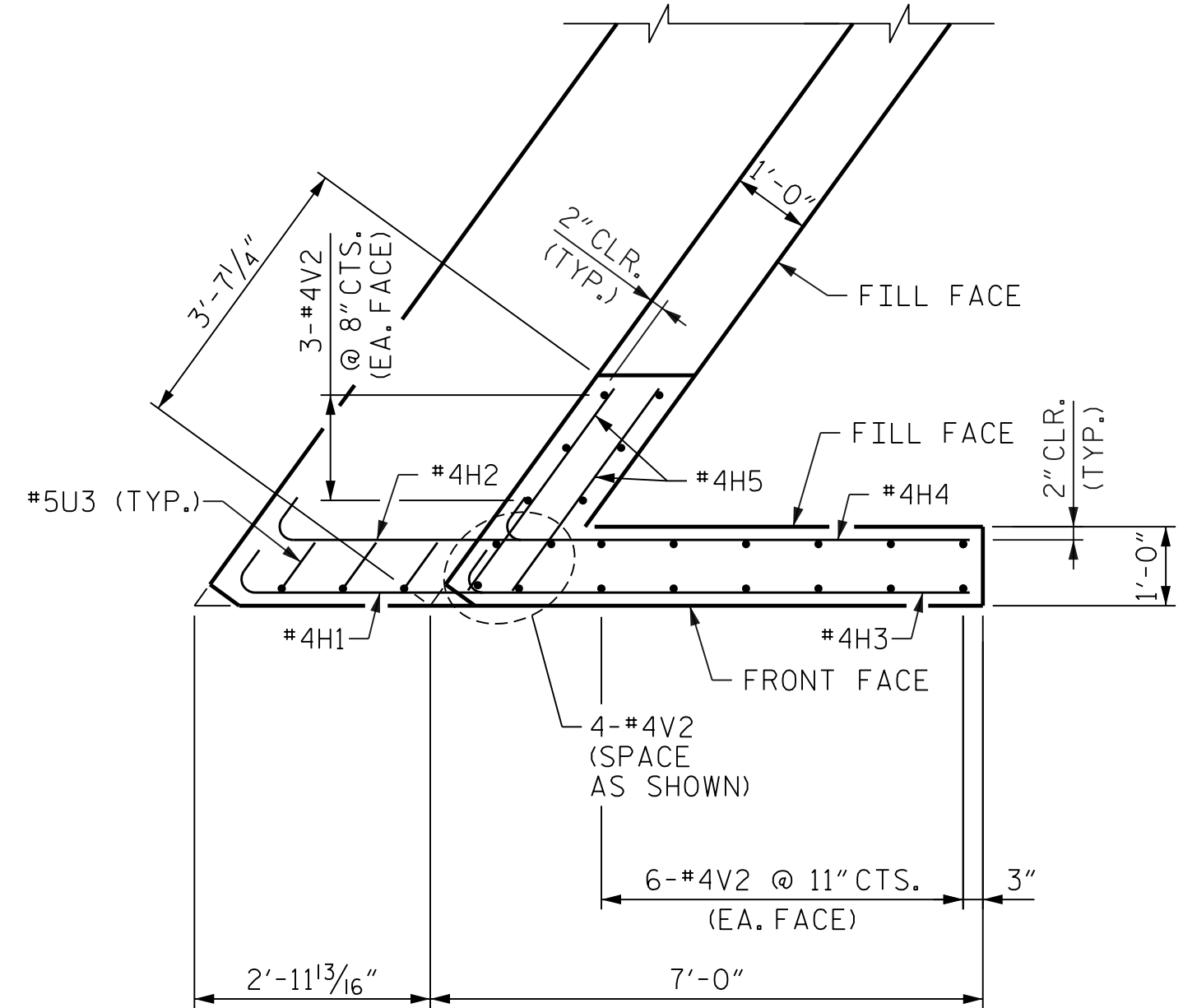
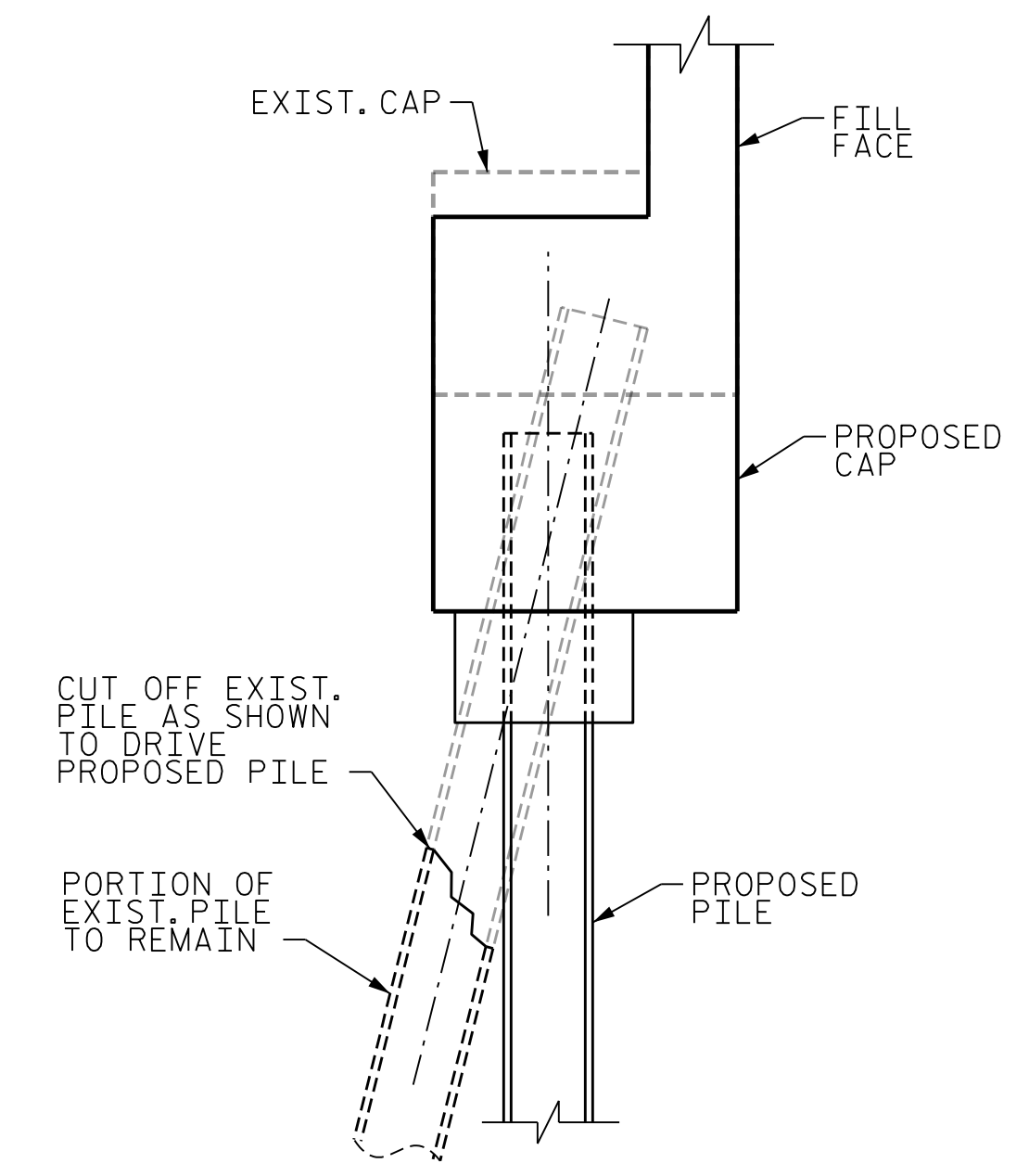


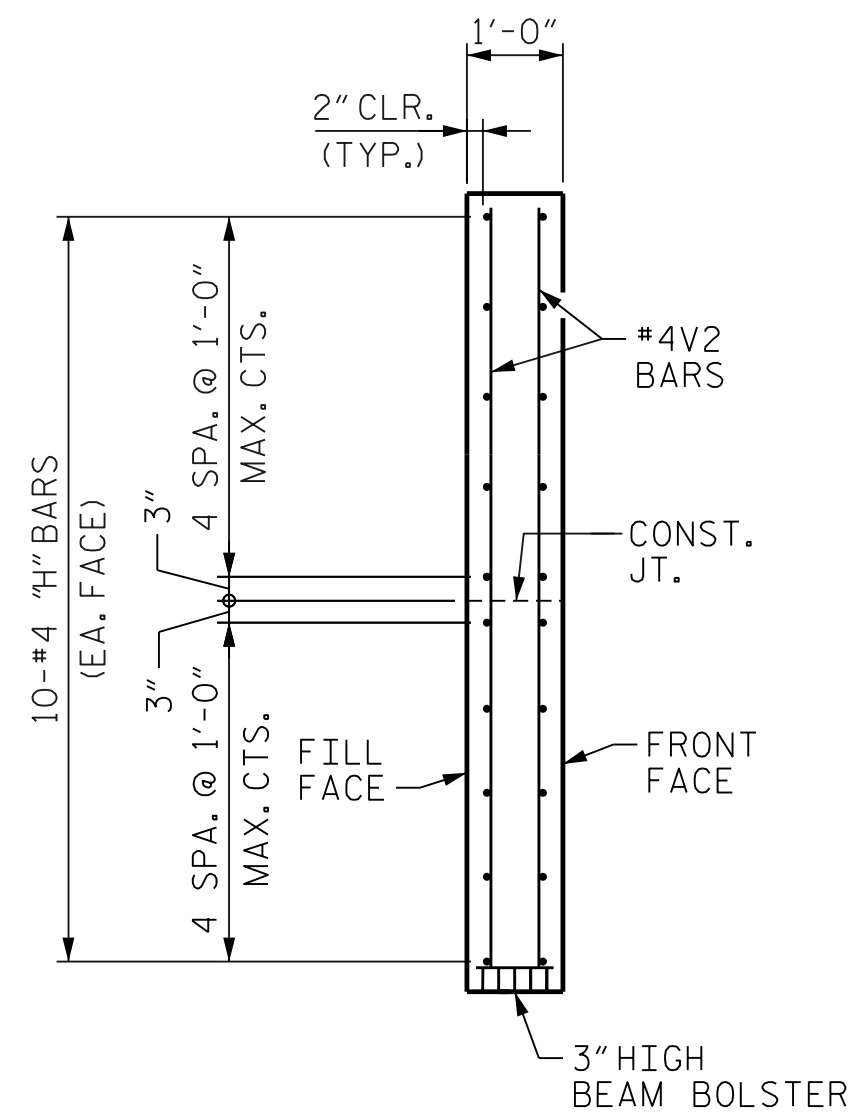
PLOT DRIVER: NCDOT_STRUCTURES_DEFAULT_PLOTTER.plt
PENTABLE: NCDOT_STRUCTURES_DEFAULT_PEN.tbl
USER: PETERSON DATE: 1/24/2022 TIME: 4:27:55 PM
FILE: ... \403.130.B5898B3186.SMU.E1.027_430110.dgn



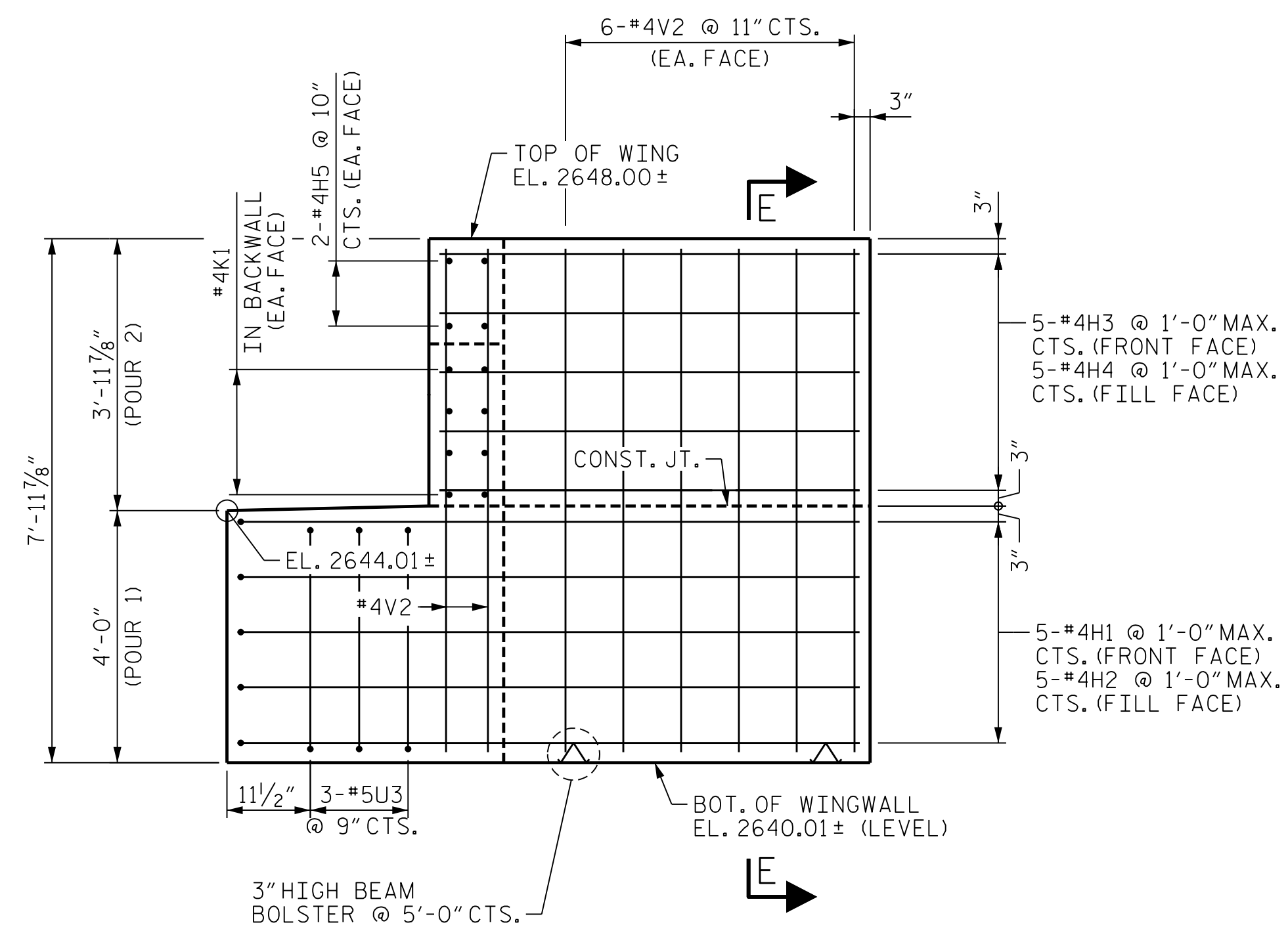
PLAN - WINGWALL (W1)



PILE CUT-OFF DETAIL



SECTION E-E



ELEVATION - WINGWALL (W1)

PROJECT NO. B-3186/B-5898
HAYWOOD COUNTY
STATION: 68+82.30± -L-LT-

SHEET 2 OF 3

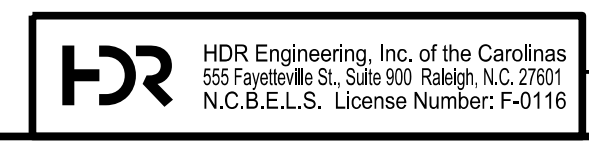
STATE OF NORTH CAROLINA
DEPARTMENT OF TRANSPORTATION
RALEIGH

SUBSTRUCTURE
END BENT 1
WINGWALL



Eric Nolting 1/24/2022

DES BY: B. ROGERS	DATE: 06/21	DWG BY: B. PETERSON	DATE: 06/21
DES CHK: F. CORDOVA	DATE: 06/21	CHK BY: F. CORDOVA	DATE: 06/21



DOCUMENT NOT CONSIDERED FINAL
UNLESS ALL SIGNATURES COMPLETED

REVISIONS					
NO.	BY:	DATE:	NO.	BY:	DATE:
1	--	--	3	--	--
2	--	--	4	--	--

SHEET NO. 303L-27
TOTAL SHEETS 44