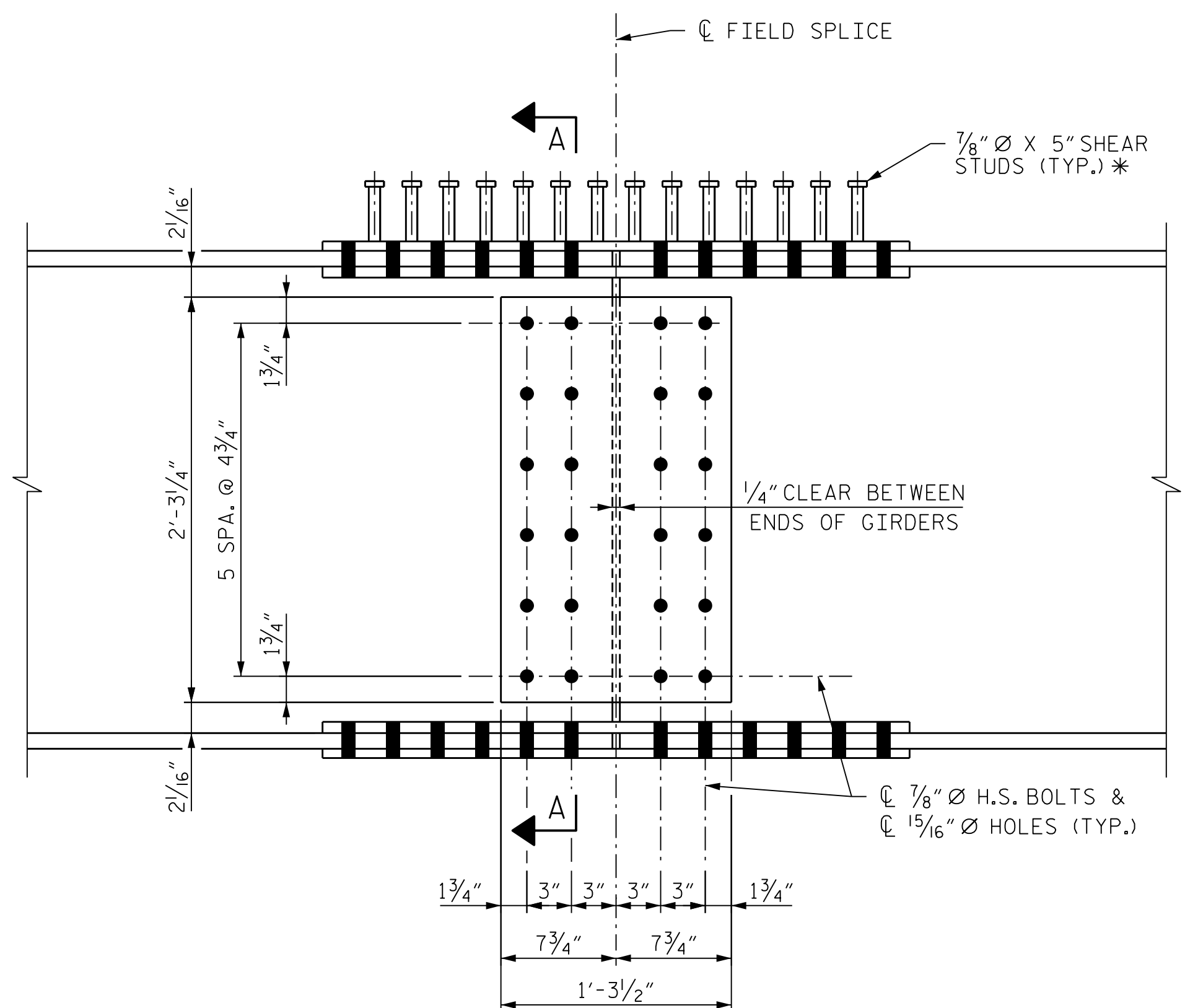
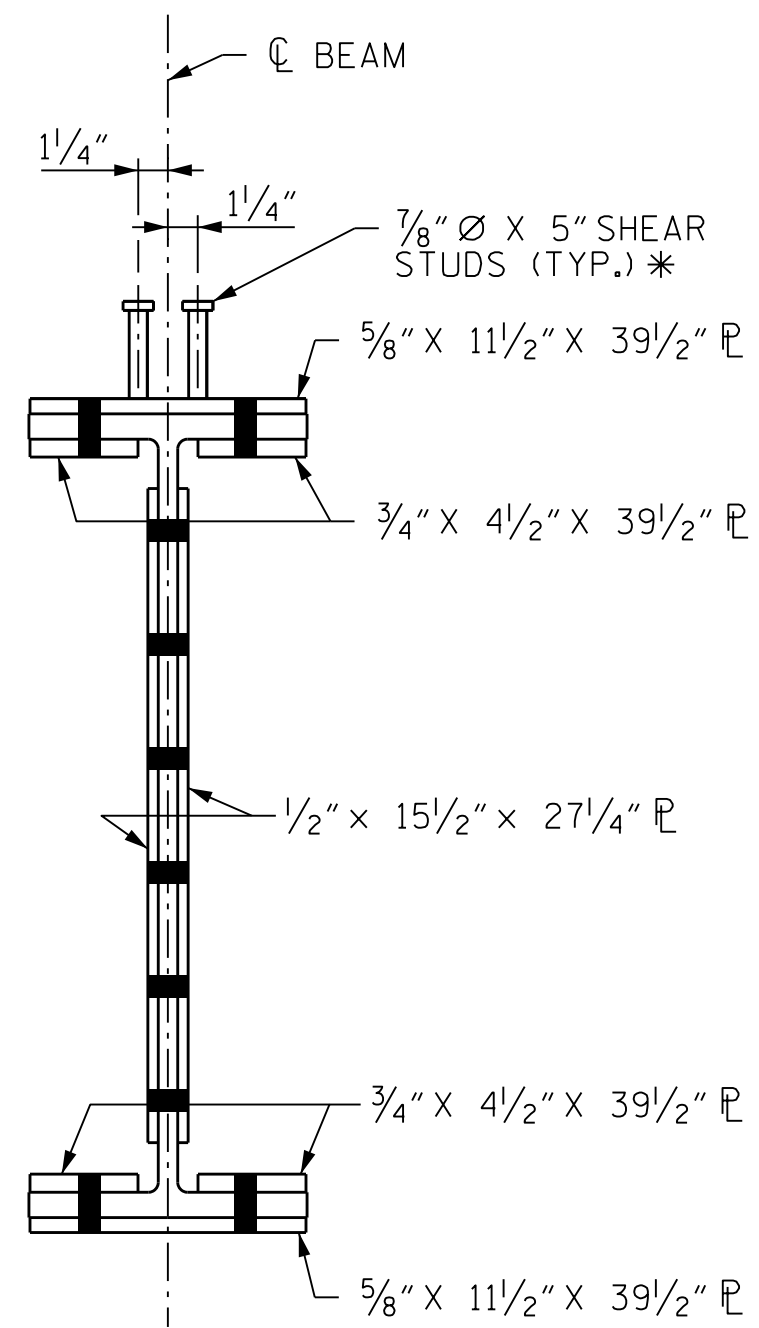


SHEAR STUD PLAN

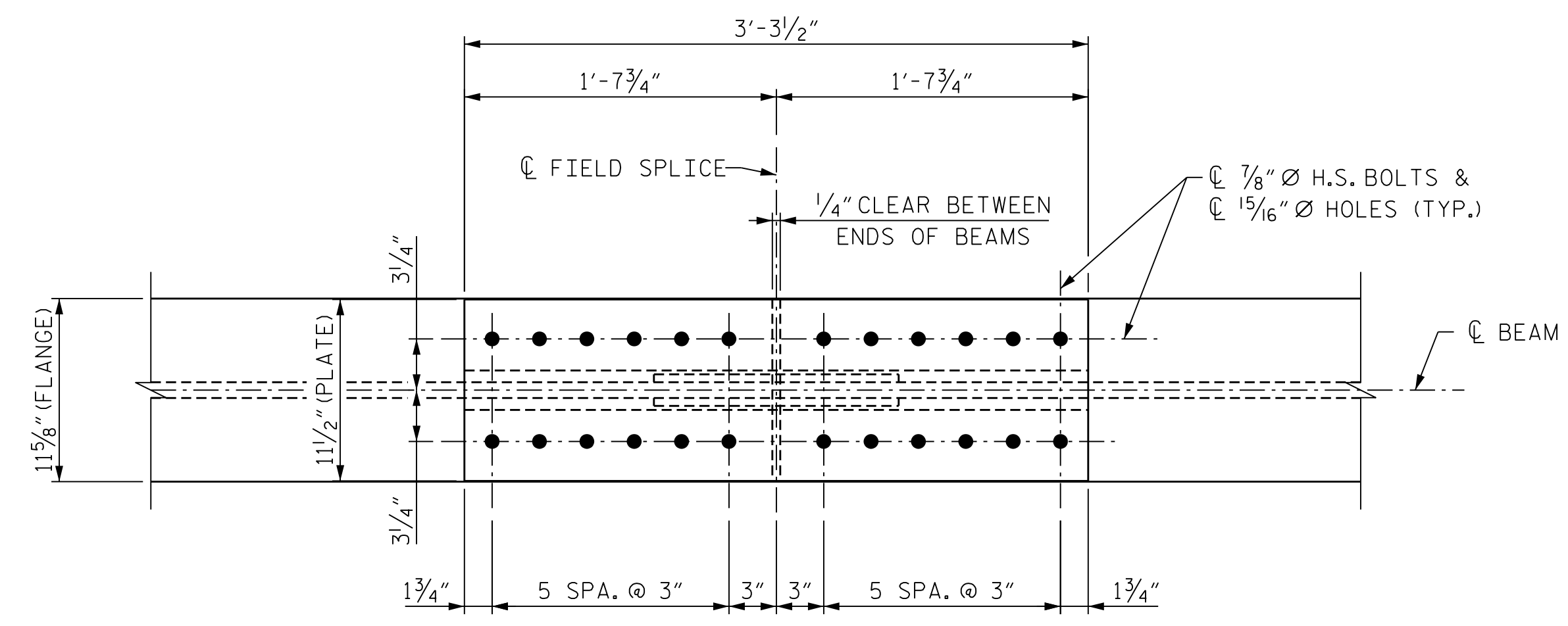


ELEVATION

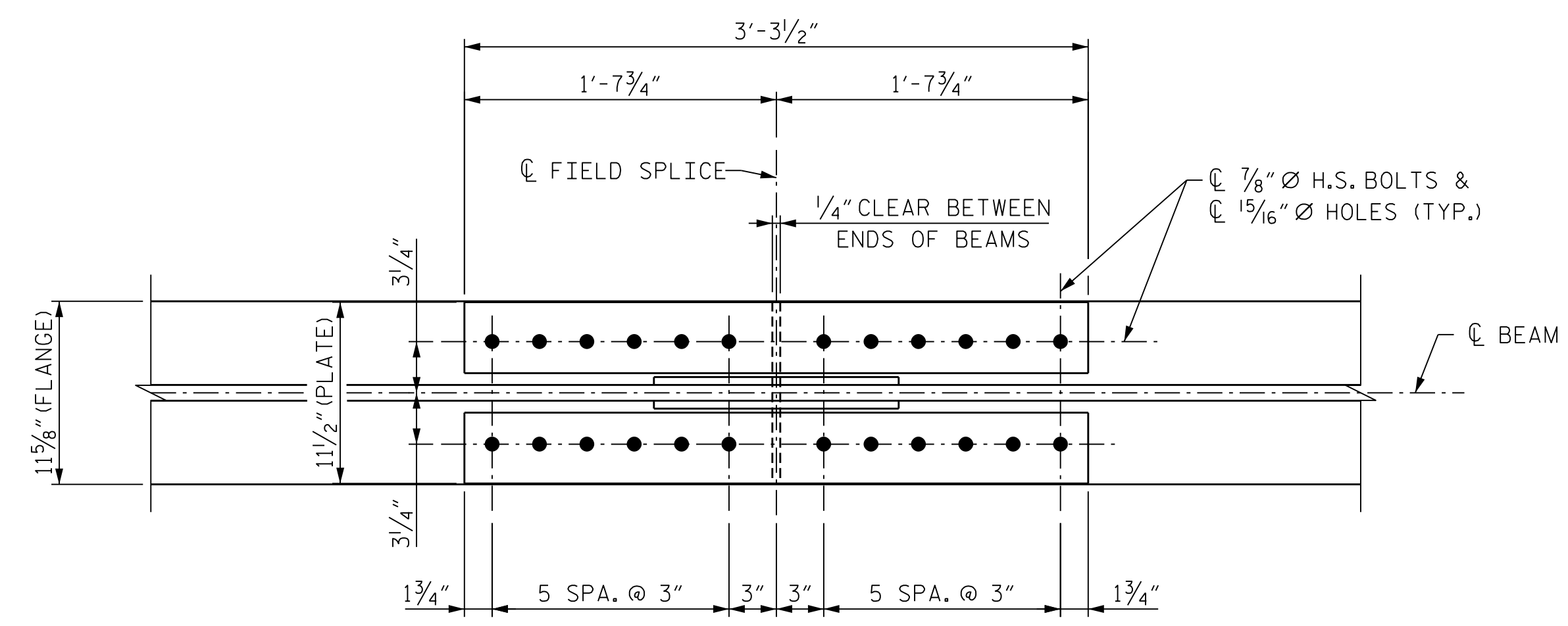
\* SHEAR STUDS ARE TO BE SHOP WELDED ON TOP OF PLATE BEFORE FIELD ASSEMBLY



SECTION A-A



PLAN (TOP OF TOP FLANGE)  
(STUDS NOT SHOWN FOR CLARITY)

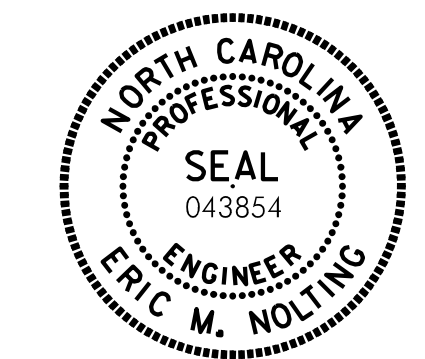


PLAN (TOP OF BOTTOM FLANGE)

BOLTED FIELD SPLICE DETAILS

PROJECT NO. B-3186/B-5898  
HAYWOOD COUNTY  
 STATION: 68+82.30 ± -L-LT-

SHEET 5 OF 5



Eric Nolting 1/24/2022

STATE OF NORTH CAROLINA  
 DEPARTMENT OF TRANSPORTATION  
 RALEIGH

**SUPERSTRUCTURE  
 STRUCTURAL STEEL  
 DETAILS**

REVISIONS					
NO.	BY:	DATE:	NO.	BY:	DATE:
1	--	--	3	--	--
2	--	--	4	--	--

SHEET NO. S03L-19  
 TOTAL SHEETS 44

**HDR** HDR Engineering, Inc. of the Carolinas  
 555 Fayetteville St., Suite 900 Raleigh, N.C. 27601  
 N.C.B.E.L.S. License Number: F-0116

DOCUMENT NOT CONSIDERED FINAL  
 UNLESS ALL SIGNATURES COMPLETED

PLOT DRIVER: NCDOT\_STRUCTURES\_DEFAULT\_PLOTTER.plt PENTABLE: NCDOT\_STRUCTURES\_DEFAULT\_PEN.tbl  
 USER: PETERSON DATE: 1/24/2022 TIME: 1:46:16 PM  
 FILE: ... \403.090.B5898B3186.SMU.SS.019.430110.dgn

DES BY: <u>E. NOLTING</u>	DATE: <u>04/21</u>	DWG BY: <u>B. PETERSON</u>	DATE: <u>05/21</u>
DES CHK: <u>B. ROGERS</u>	DATE: <u>05/21</u>	CHK BY: <u>B. ROGERS</u>	DATE: <u>06/21</u>