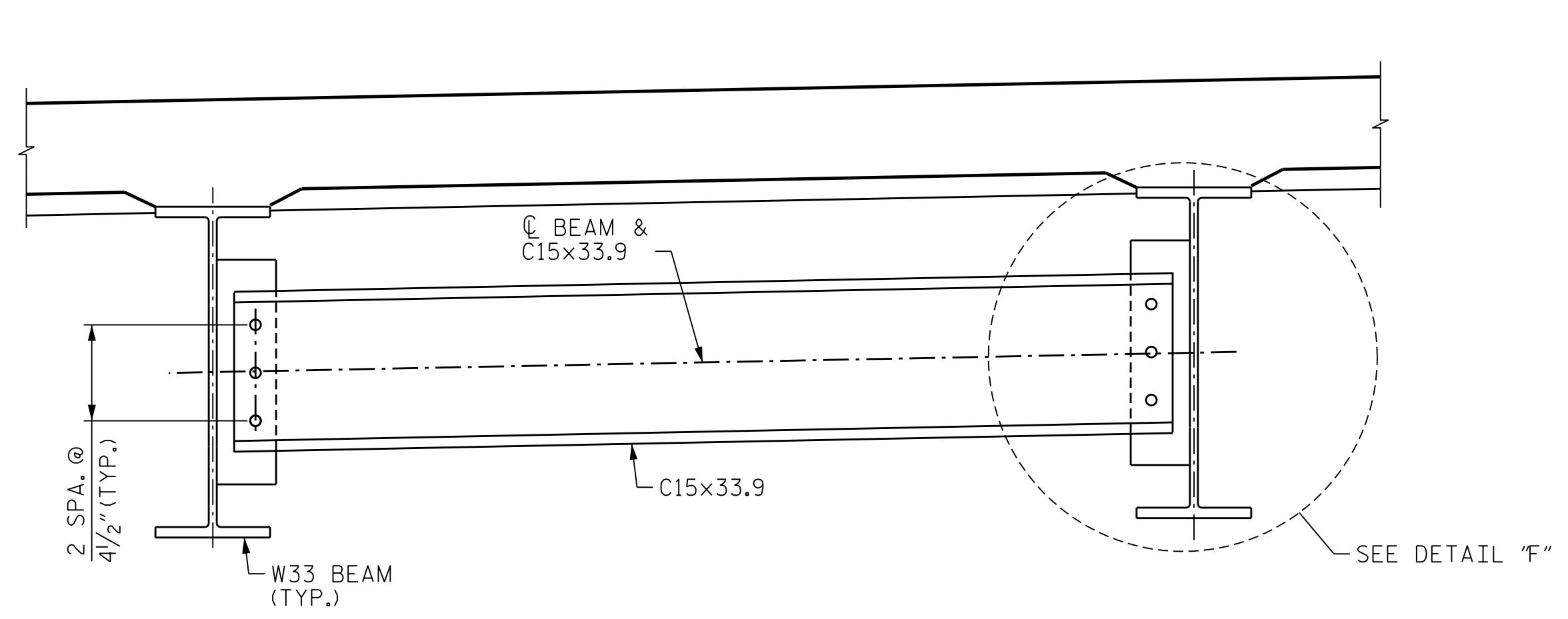
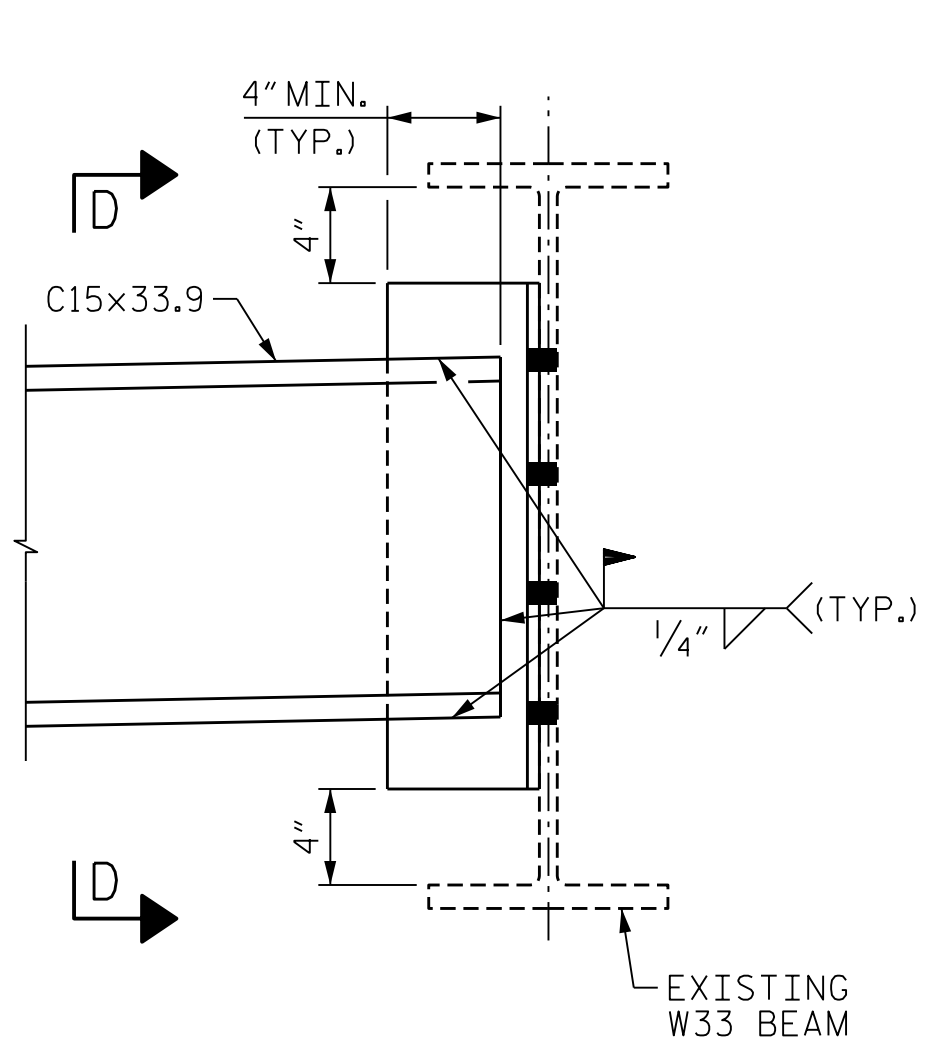


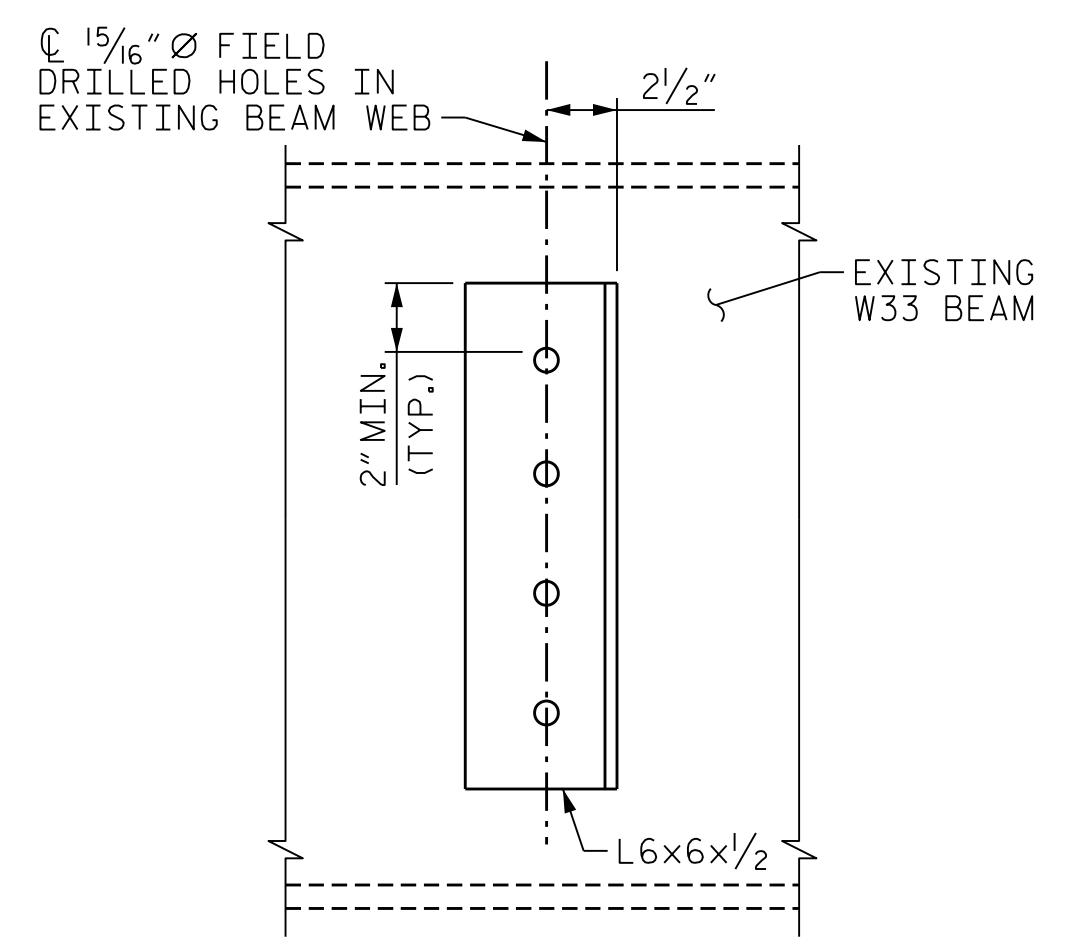
**INTERMEDIATE DIAPHRAGM D3**



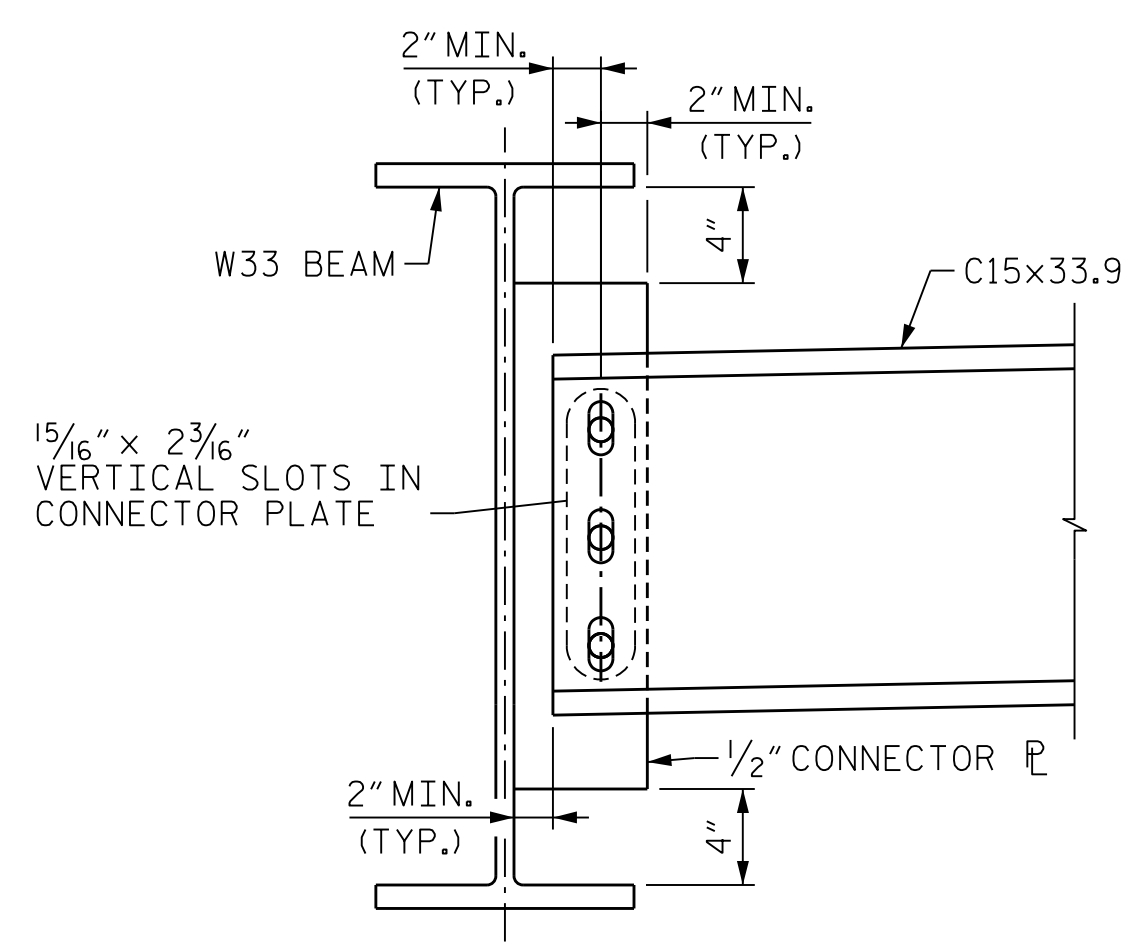
**INTERMEDIATE AND BENT DIAPHRAGM D4**



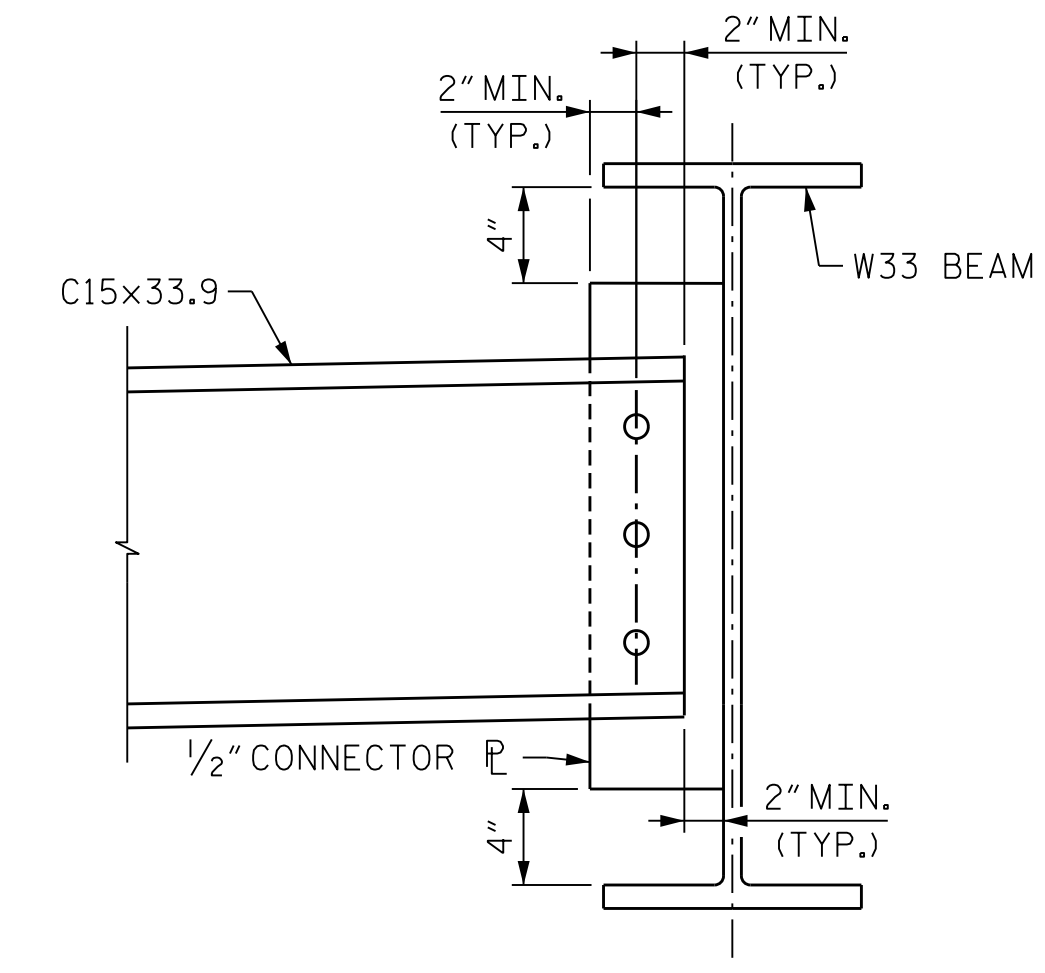
**DETAIL "D"**



**VIEW D-D**



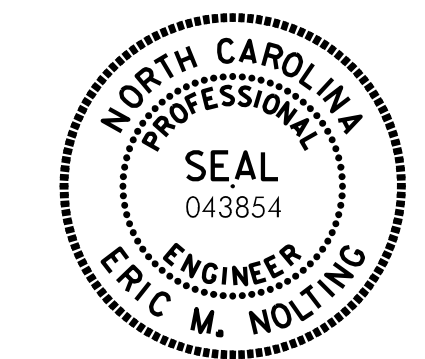
**DETAIL "E"**



**DETAIL "F"**

PROJECT NO. B-3186/B-5898  
HAYWOOD COUNTY  
 STATION: 68+82.30 ± -L-LT-

SHEET 3 OF 5



Eric Nolting 1/24/2022

STATE OF NORTH CAROLINA  
 DEPARTMENT OF TRANSPORTATION  
 RALEIGH

**SUPERSTRUCTURE  
 STRUCTURAL STEEL  
 DETAILS**

DES BY: E. NOLTING	DATE: 04/21	DWG BY: B. PETERSON	DATE: 05/21
DES CHK: B. ROGERS	DATE: 05/21	CHK BY: B. ROGERS	DATE: 06/21



**DOCUMENT NOT CONSIDERED FINAL  
 UNLESS ALL SIGNATURES COMPLETED**

REVISIONS						SHEET NO. S03L-17
NO.	BY:	DATE:	NO.	BY:	DATE:	
1	--	--	3	--	--	TOTAL SHEETS 44
2	--	--	4	--	--	

PLOT DRIVER: NCDOT\_STRUCTURES\_DEFAULT\_PLOTTER.plt  
 PENTABLE: NCDOT\_STRUCTURES\_DEFAULT\_PEN.tbl  
 USER: PPETERSO DATE: 1/24/2022 TIME: 1:45:37 PM  
 FILE: ... \403.080.B5898B3186.SMU.SS.017.430110.dgn