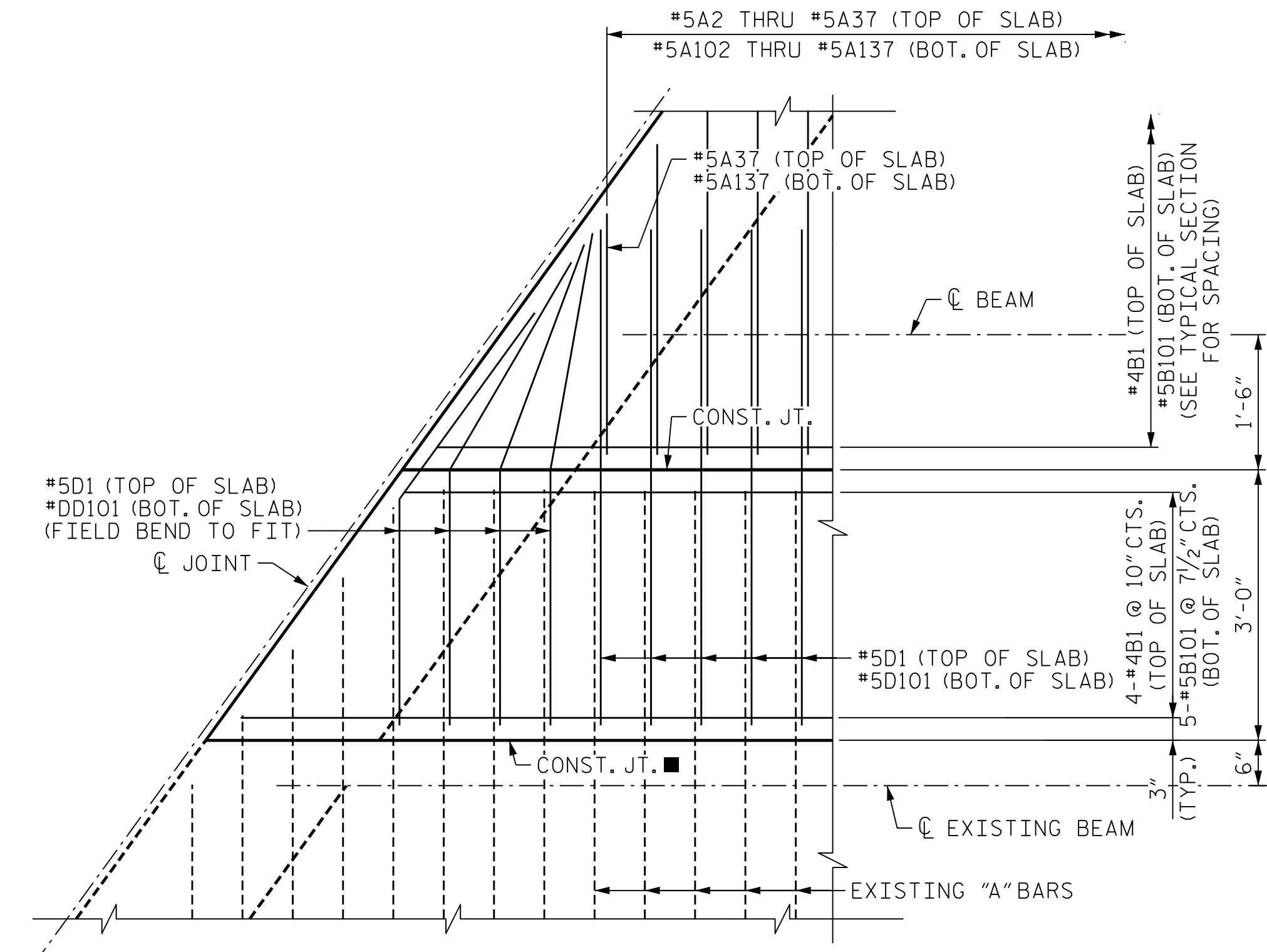
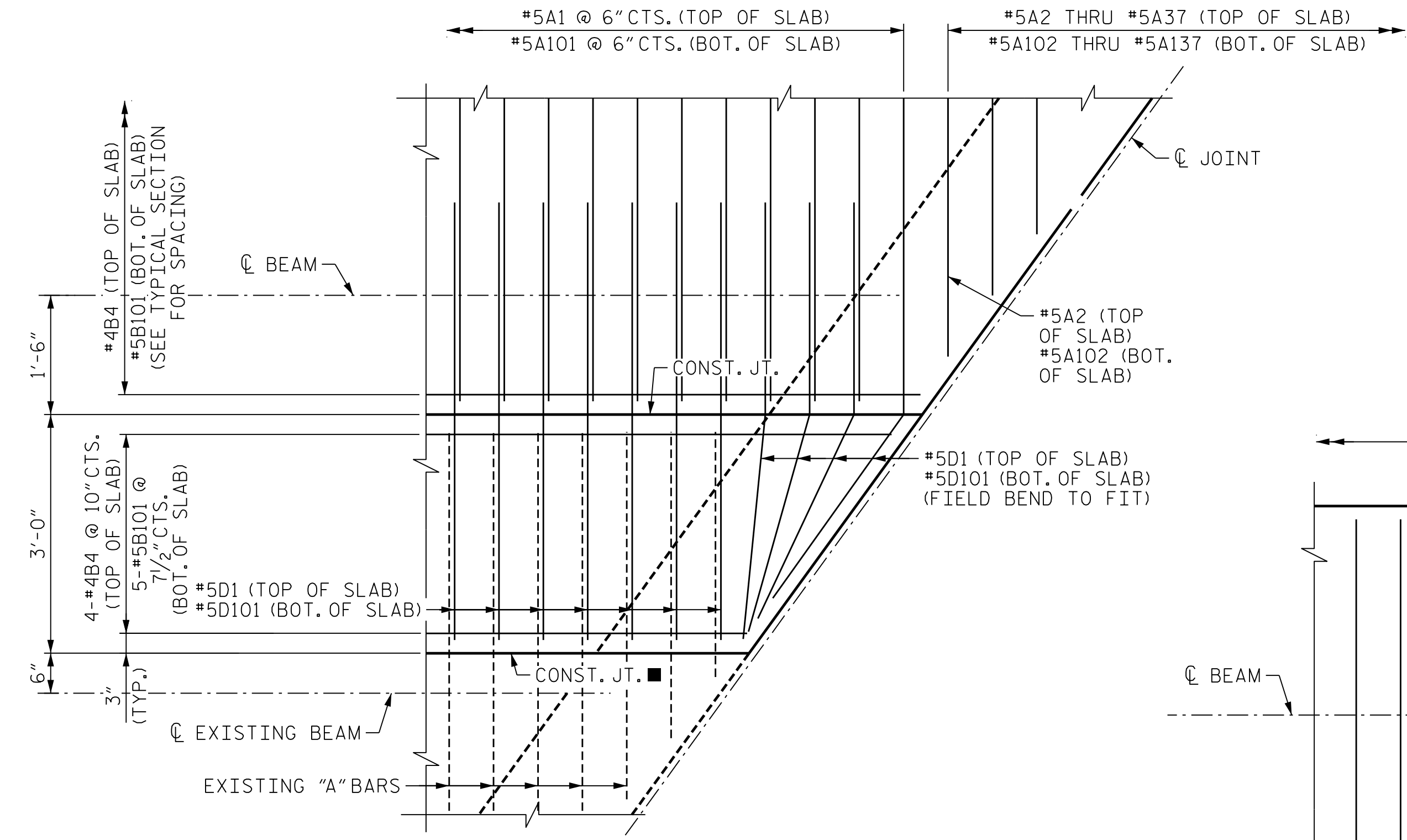


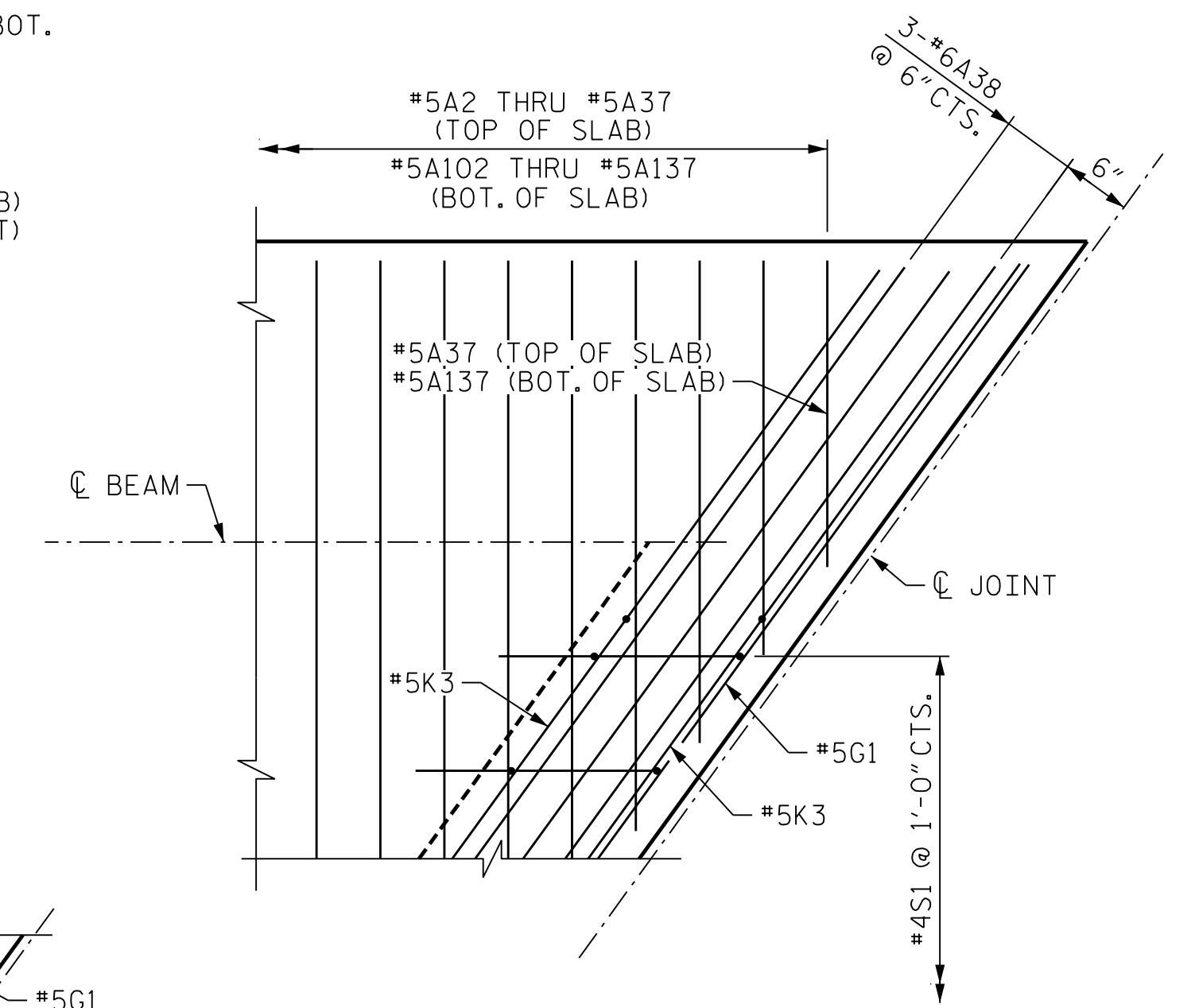
PLOT DRIVER: NCDOT STRUCTURES DEFAULT PLOTTER.plt
PENTABLE: NCDOT STRUCTURES DEFAULT PEN.tbl
USER: PPETERSO DATE: 1/24/2022 TIME: 1:44:47 PM
FILE: ... \403.060.B5698B3186.SMU.S3.013.430110.dgn



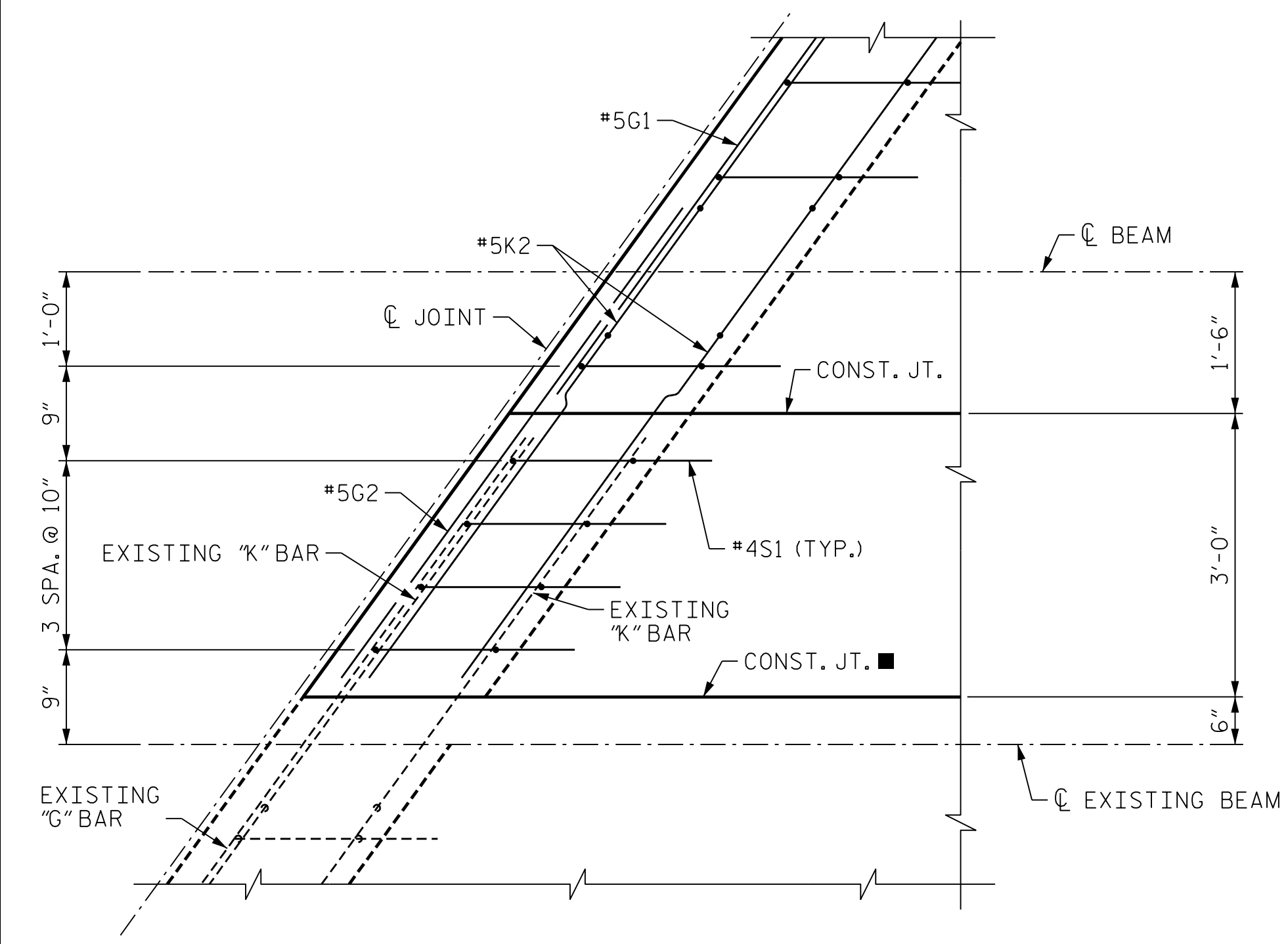
DETAIL SHOWING DECK SLAB REINFORCEMENT



DETAIL SHOWING DECK SLAB REINFORCEMENT

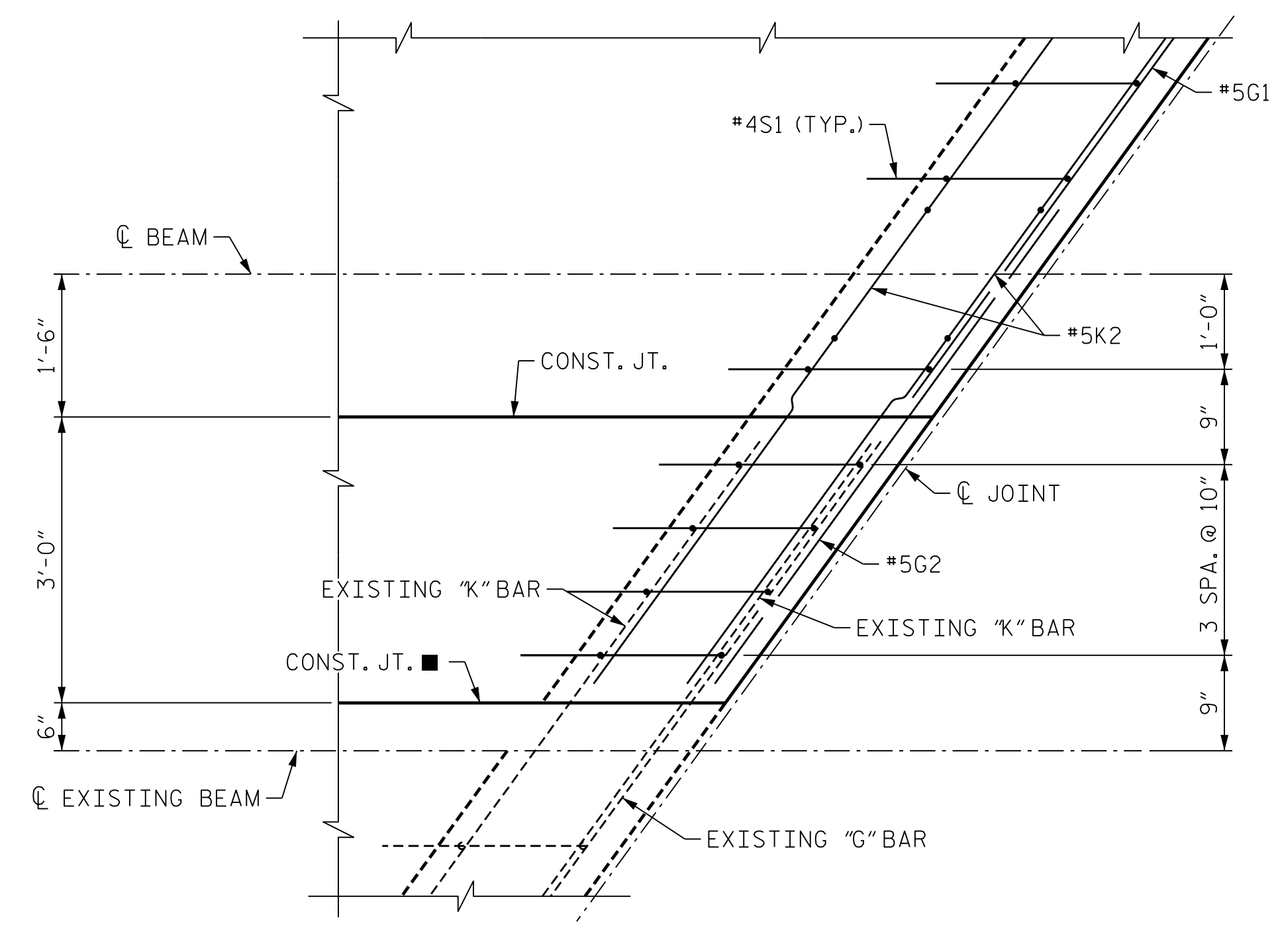


DETAIL "C"
("B" BARS NOT SHOWN FOR CLARITY)



DETAIL SHOWING DIAPHRAGM REINFORCEMENT

DETAIL "A"



DETAIL SHOWING DIAPHRAGM REINFORCEMENT

DETAIL "B"

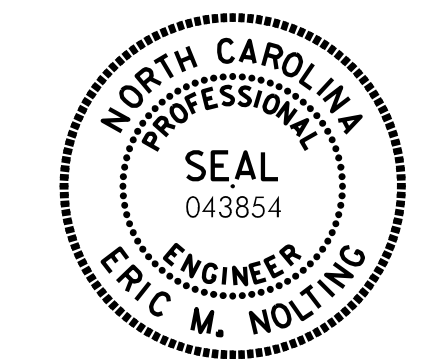
■ 1/2" DEEP SAWCUT IN TOP OF DECK, REMOVE REMAINING CONCRETE USING MEANS THAT AVOID DAMAGE TO THE EXISTING TRANSVERSE REINFORCING. AVOID DAMAGE TO THE EXISTING STEEL BEAM.

PROJECT NO. B-3186/B-5898
HAYWOOD COUNTY
STATION: 68+82.30 ± -L-LT-

SHEET 3 OF 3

STATE OF NORTH CAROLINA
DEPARTMENT OF TRANSPORTATION
RALEIGH

**SUPERSTRUCTURE
PLAN OF SPANS
DETAILS**



Eric Nolting 1/24/2022

DES BY: F. CORDOVA	DATE: 05/21	DWG BY: B. PETERSON	DATE: 03/21
DES CHK: E. NOLTING	DATE: 07/21	CHK BY: E. NOLTING	DATE: 07/21

HDR HDR Engineering, Inc. of the Carolinas
555 Fayetteville St., Suite 900 Raleigh, N.C. 27601
N.C.B.E.L.S. License Number: F-0116

REVISIONS					
NO.	BY:	DATE:	NO.	BY:	DATE:
1	--	--	3	--	--
2	--	--	4	--	--

Eric M. Nolting
SHEET NO. S03L-13
TOTAL SHEETS 44

DOCUMENT NOT CONSIDERED FINAL
UNLESS ALL SIGNATURES COMPLETED