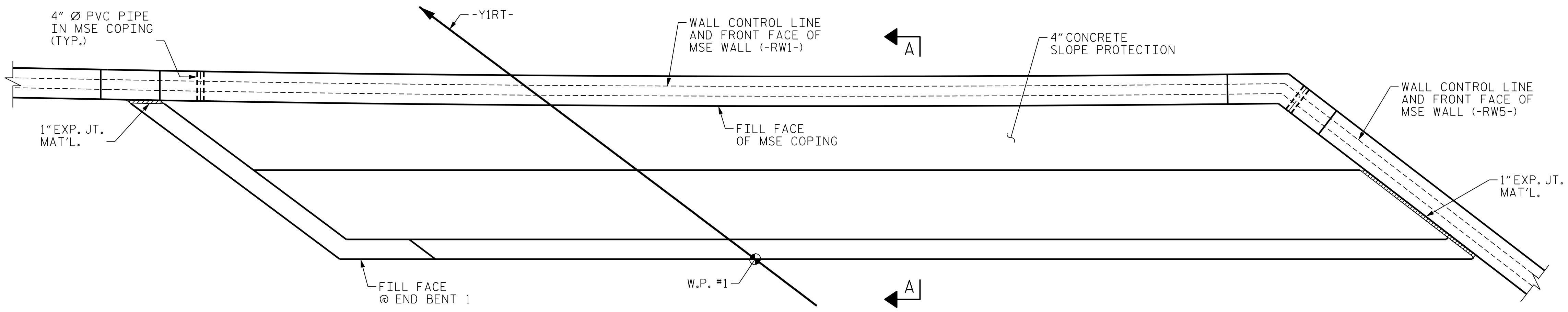
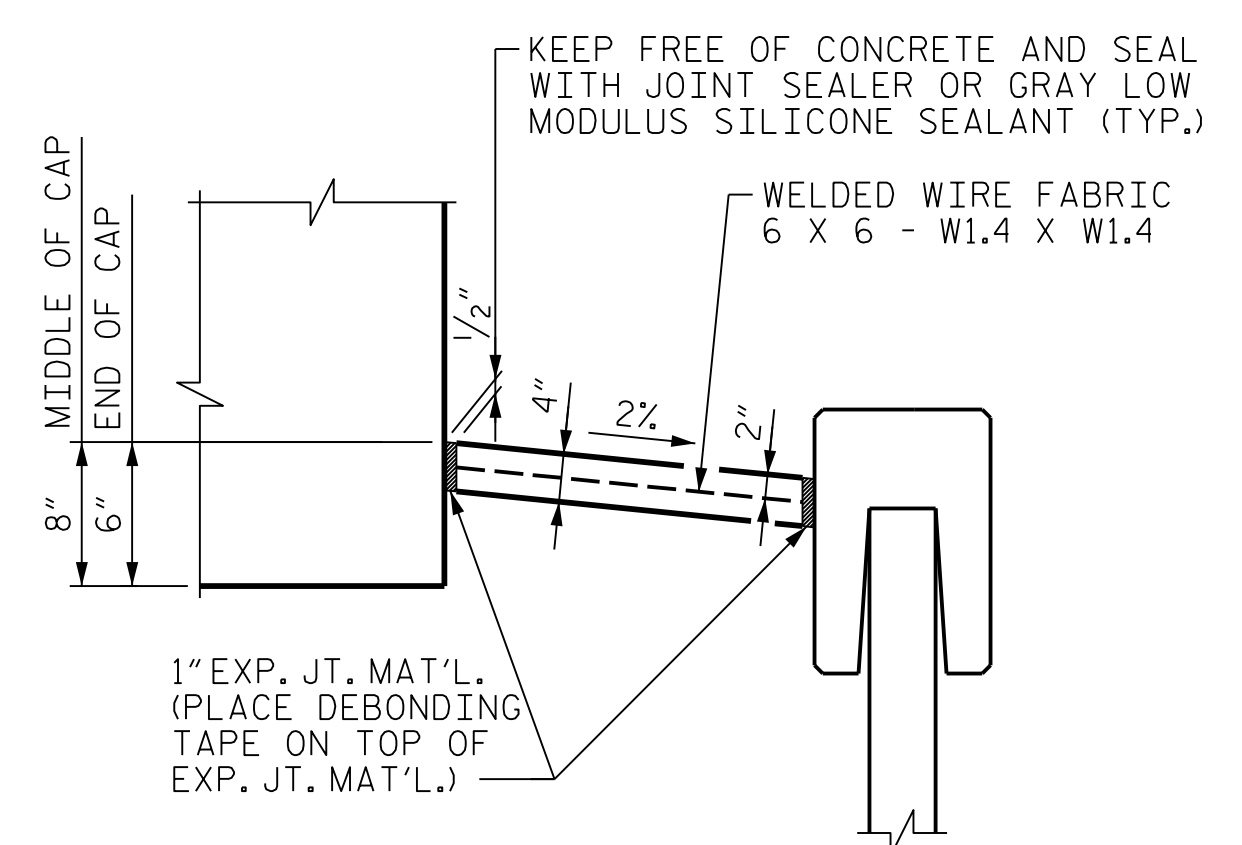


PLAN - END BENT 2



PLAN - END BENT 1



SECTION A-A

NOTE
 SLOPE PROTECTION SHALL CONSIST OF 4" POURED-IN-PLACE CONCRETE PAVING AS SHOWN IN THE DETAILS ON THIS SHEET. CONCRETE SHALL BE CLASS "B". THE CONCRETE SURFACE SHALL BE FLOATED WITH A WOODEN FLOAT AND FINISHED. WELDED WIRE FABRIC REINFORCING SHALL BE 6 X 6 - W1.4 X W1.4, 60" WIDE.

BRIDGE @ STA. 27+54.43 -YIRT-	4 INCH SLOPE PROTECTION	* WELDED WIRE FABRIC 60" WIDE
	SQUARE YARDS	APPROX. L.F.
END BENT 1	22.0	39.6
END BENT 2	37.3	67.0

* = QUANTITY SHOWN IS BASED ON 5' POURS

PROJECT NO. B-3186/B-5898
HAYWOOD COUNTY
 STATION: 27+54.43 -YIRT-

STATE OF NORTH CAROLINA
 DEPARTMENT OF TRANSPORTATION
 RALEIGH

SLOPE PROTECTION DETAILS



W. Brian Watson 1/24/2022

REVISIONS						SHEET NO. 502-44 TOTAL SHEETS 48
NO.	BY:	DATE:	NO.	BY:	DATE:	
1	--	--	3	--	--	
2	--	--	4	--	--	

HDR HDR Engineering, Inc. of the Carolinas
 555 Fayetteville St., Suite 900 Raleigh, N.C. 27601
 N.C.B.E.L.S. License Number: F-0116

DOCUMENT NOT CONSIDERED FINAL UNLESS ALL SIGNATURES COMPLETED

PLOT DRIVER: NCDOT_STRUCTURES_DEFAULT_PLOTTER.plt PENTABLE: NCDOT_STRUCTURES_DEFAULT_PEN.tbl
 USER: PETERSON DATE: 1/24/2022 TIME: 1:36:48 PM
 FILE: ... \402.215.B3186-B5898.SMU.SP_044_430168.dgn

DES BY: <u>B. WATSON</u>	DATE: <u>07/21</u>	DWG BY: <u>D. CARTER</u>	DATE: <u>05/21</u>
DES CHK: <u>H. ABU NIMEH</u>	DATE: <u>07/21</u>	CHK BY: <u>H. ABU NIMEH</u>	DATE: <u>08/21</u>