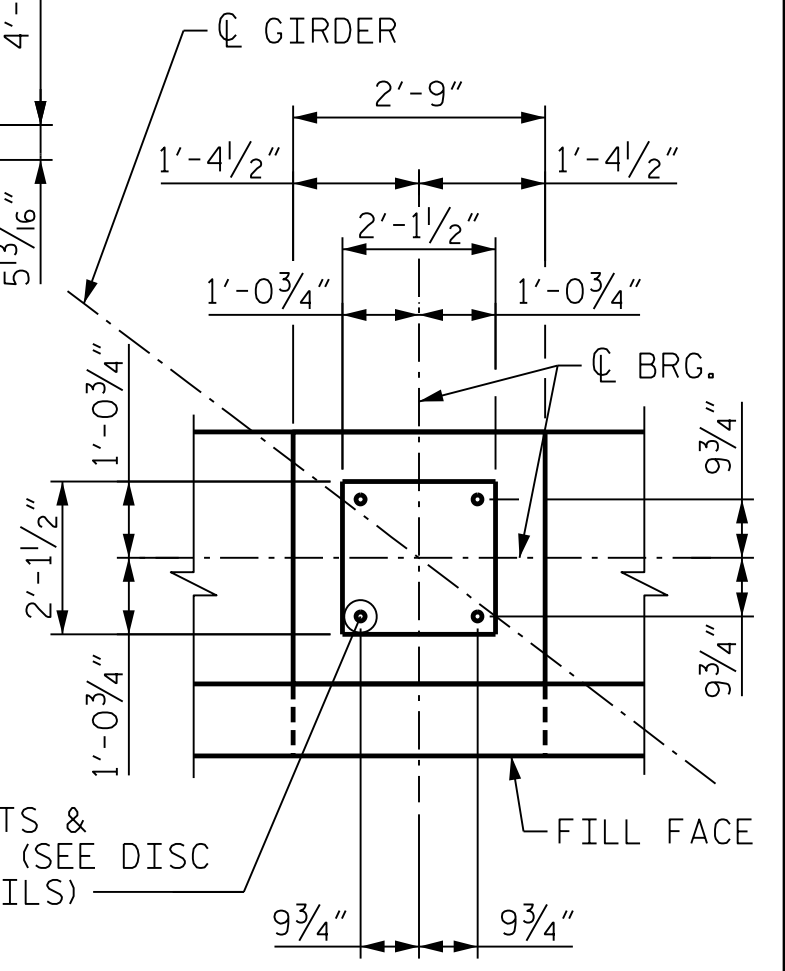


**NOTES**  
 FOR SECTIONS A-A AND B-B, VIEW C-C, DETAILS "B" AND "C" AND ADDITIONAL NOTES, SEE "END BENT 1 SECTIONS AND DETAILS" SHEET.  
 FOR SECTION D-D, SEE "END BENT 1 CHEEKWALL DETAILS" SHEET.

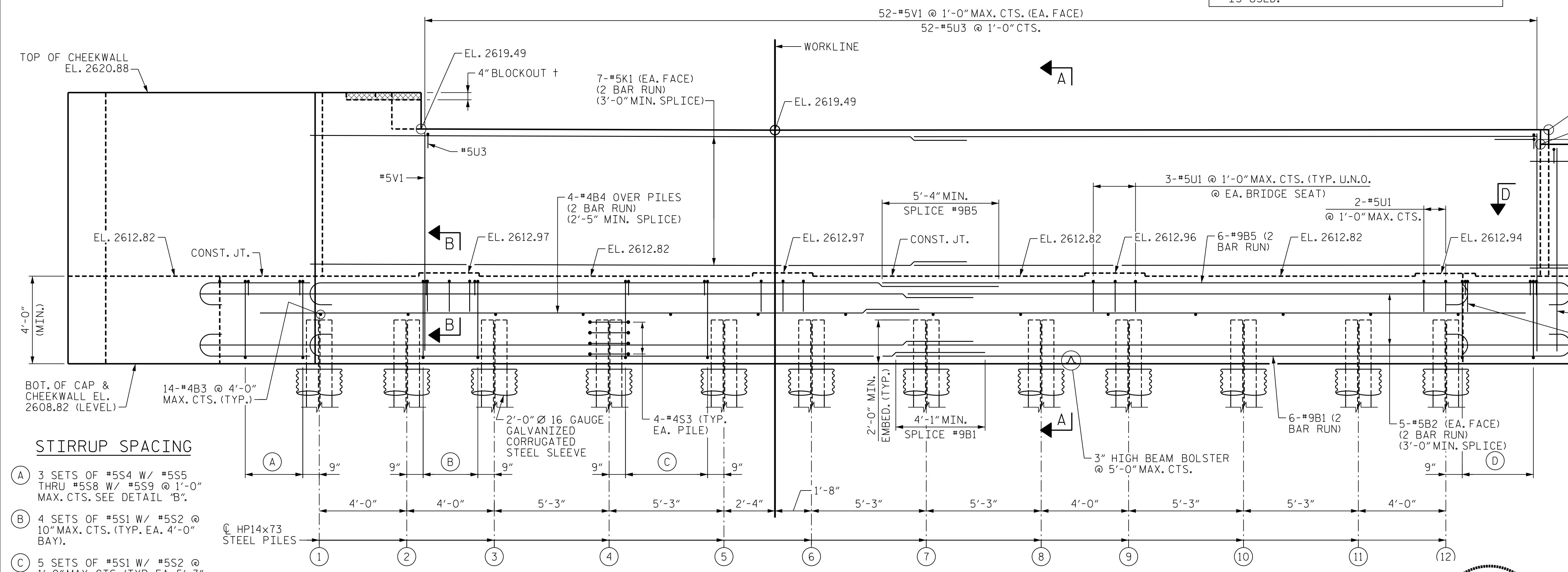
⊕ DIMENSION TO BE FIELD ADJUSTED AS NECESSARY TO PROVIDE 1" EXPANSION JOINT MATERIAL BETWEEN THE MSE RETAINING WALL AND THE CHEEKWALL OR CAP

† THE CONCRETE IN THE SHADED AREA OF THE CHEEKWALL SHALL BE POURED AFTER THE BARRIER RAILS ARE CAST IF SILP FORMING IS USED.



**PLAN**

**DETAIL "A"**

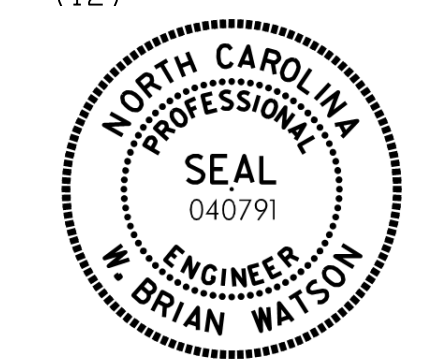


**ELEVATION**

**STIRRUP SPACING**

- (A) 3 SETS OF #5S4 W/ #5S5 THRU #5S8 W/ #5S9 @ 1'-0" MAX. CTS. SEE DETAIL "B".
- (B) 4 SETS OF #5S1 W/ #5S2 @ 10" MAX. CTS. (TYP. EA. 4'-0" BAY).
- (C) 5 SETS OF #5S1 W/ #5S2 @ 1'-0" MAX. CTS. (TYP. EA. 5'-3" BAY).
- (D) 3 SETS OF #5S10 W/ #5S11 THRU #5S14 W/ #5S15 @ 1'-0" MAX. CTS. SEE DETAIL "C".

PROJECT NO. B-3186/B-5898  
HAYWOOD COUNTY  
 STATION: 27+54.43 -Y1RT-  
 SHEET 1 OF 3

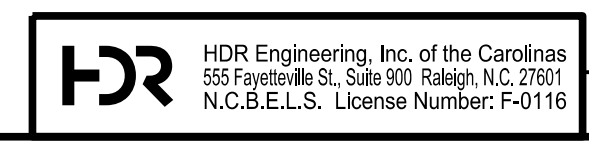


STATE OF NORTH CAROLINA  
 DEPARTMENT OF TRANSPORTATION  
 RALEIGH

**SUBSTRUCTURE  
 END BENT 1  
 PLAN AND ELEVATION**

REVISIONS						SHEET NO. 502-36	
NO.	BY:	DATE:	NO.	BY:	DATE:	TOTAL SHEETS 48	
1	--	--	3	--	--	TOTAL SHEETS 48	
2	--	--	4	--	--	TOTAL SHEETS 48	

DES BY: N. DAVIS	DATE: 06/21	DWG BY: B. PETERSON	DATE: 06/21
DES CHK: R. BECK	DATE: 07/21	CHK BY: R. BECK	DATE: 07/21



W. Brian Watson 1/24/2022

DOCUMENT NOT CONSIDERED FINAL  
 UNLESS ALL SIGNATURES COMPLETED

PLOT DRIVER: NCDOT\_STRUCTURE\_DEFAULT\_PLOTTER.plt  
 PENTABLE: NCDOT\_STRUCTURE\_DEFAULT\_PEN.tbl  
 USER: PETERSON  
 DATE: 1/24/2022  
 TIME: 1:33:39 PM  
 FILE: ... \402.175.B3186-B5898.SML.E1.036.430168.dgn